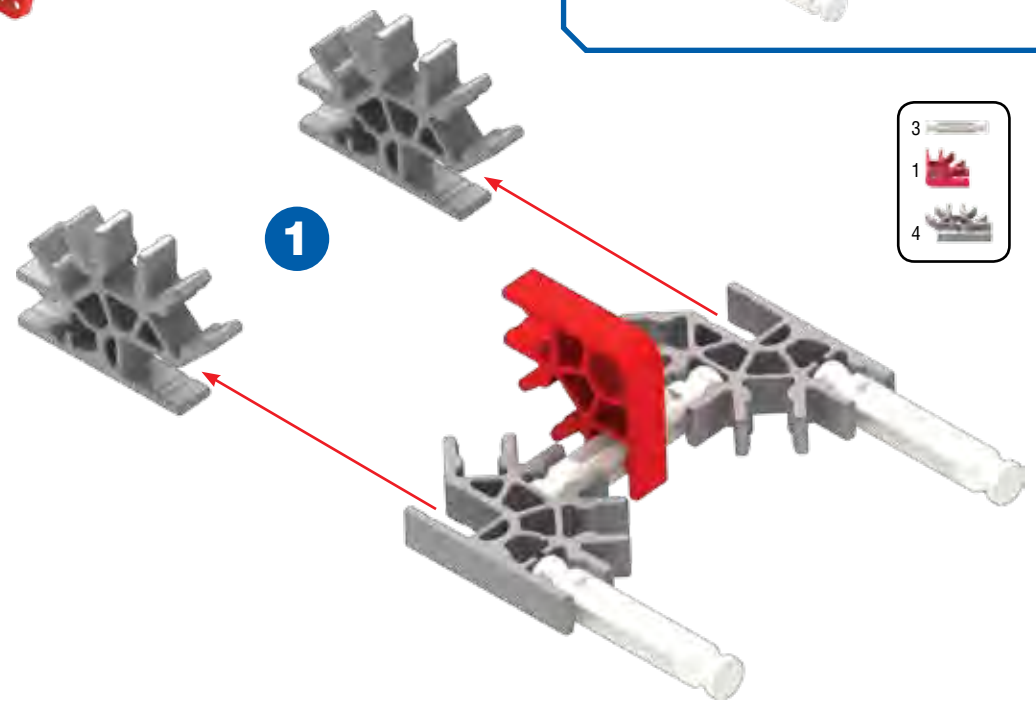
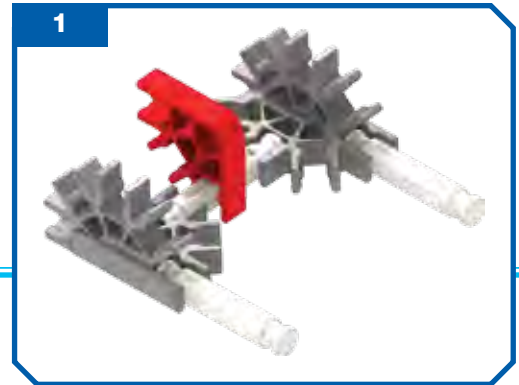
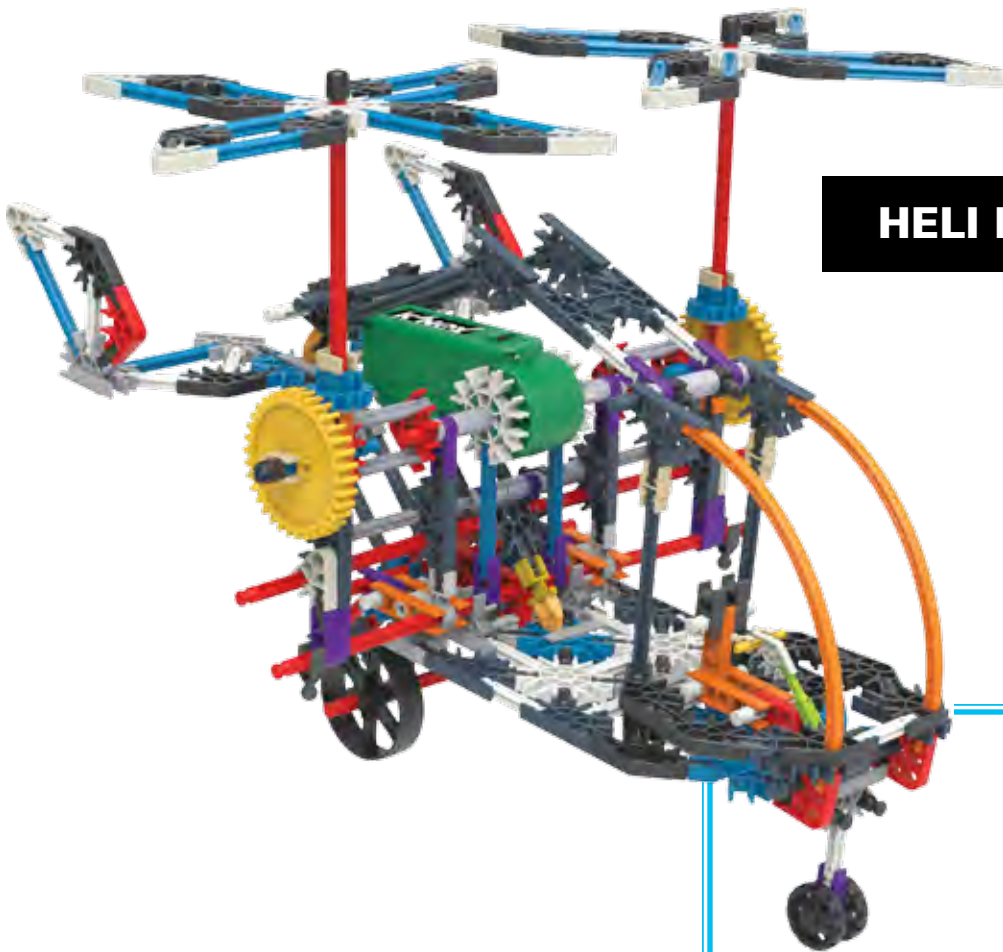
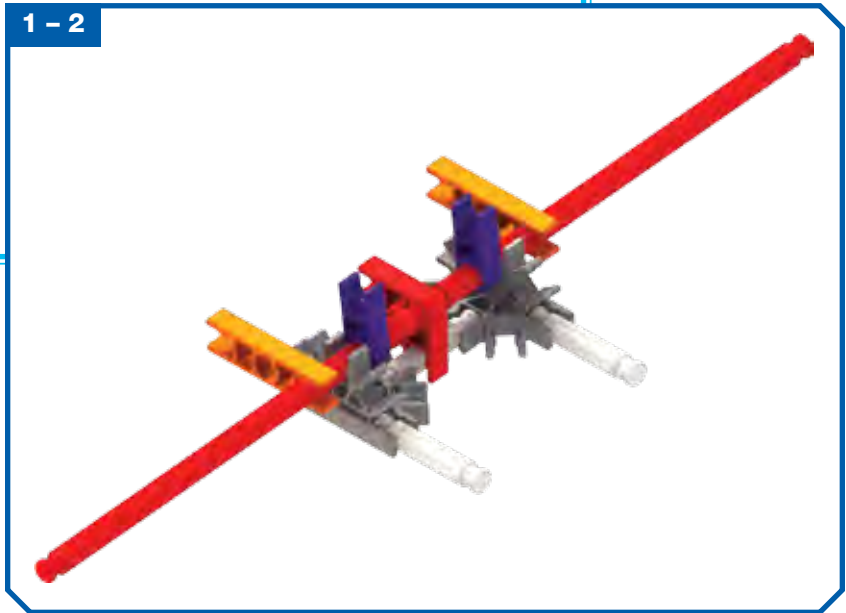
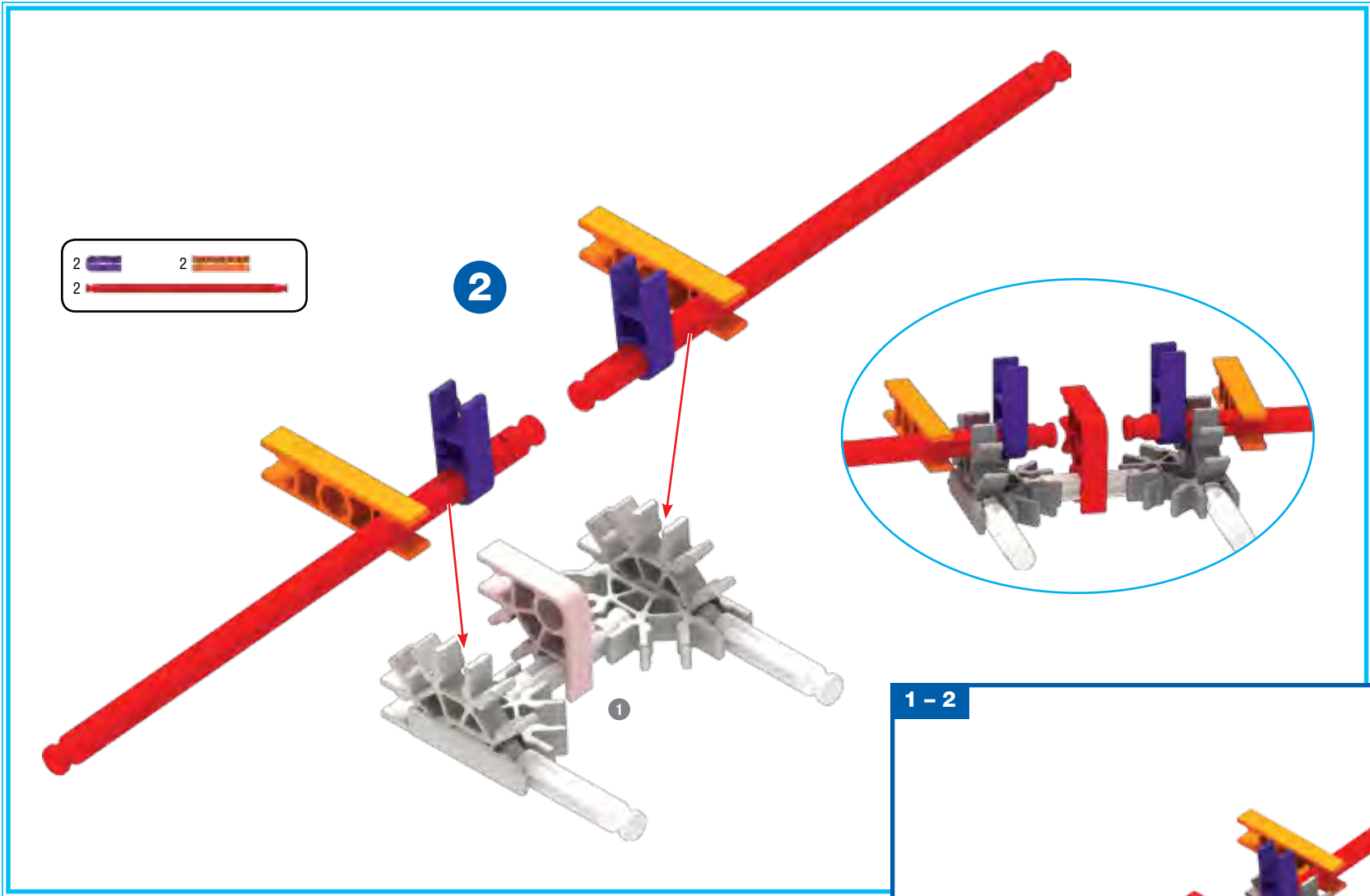
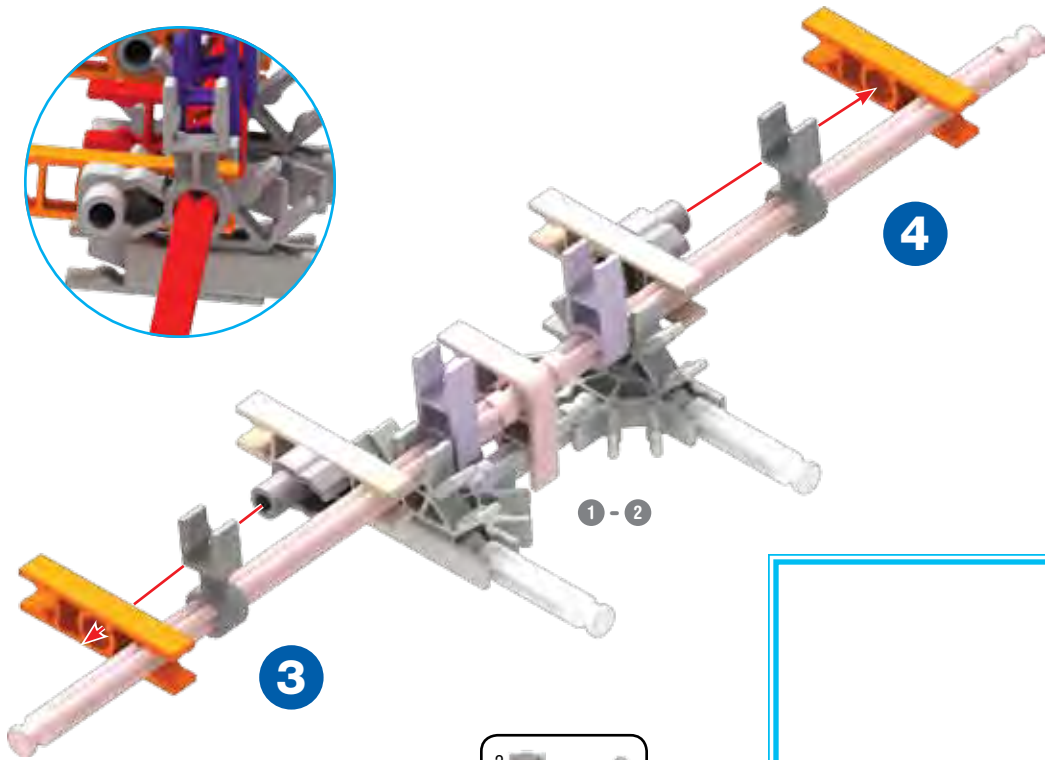


HELI PLANE



- 3
- 1
- 4





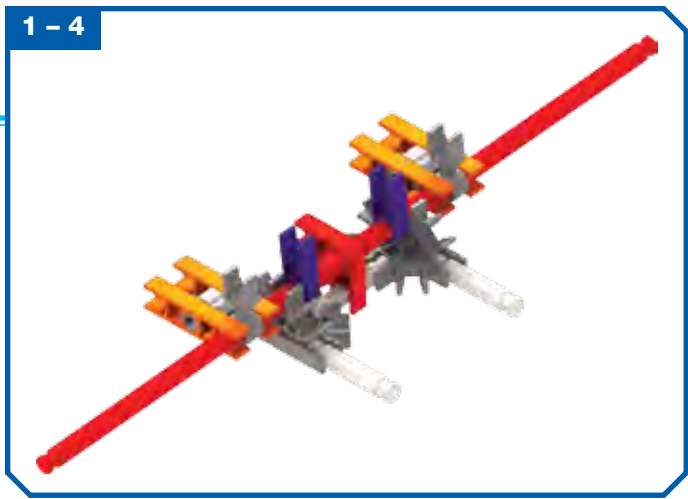
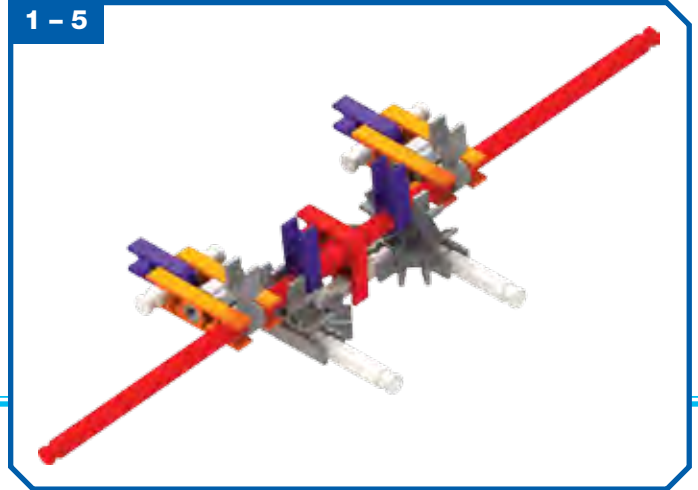
4

1-2

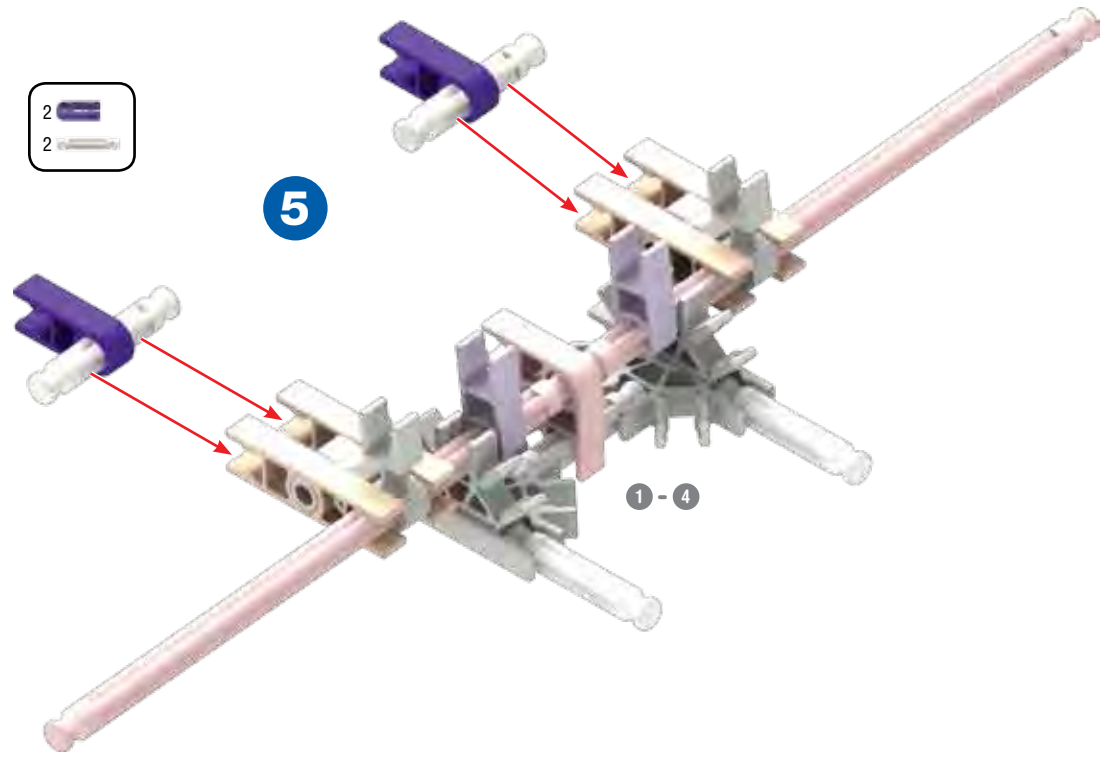
3



1-5

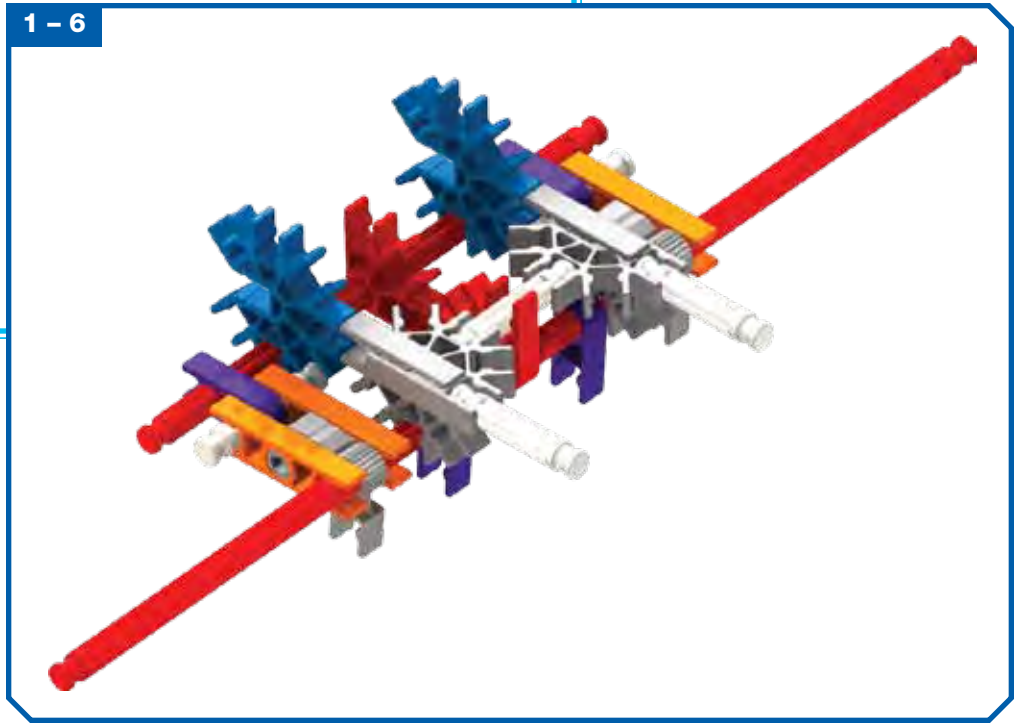
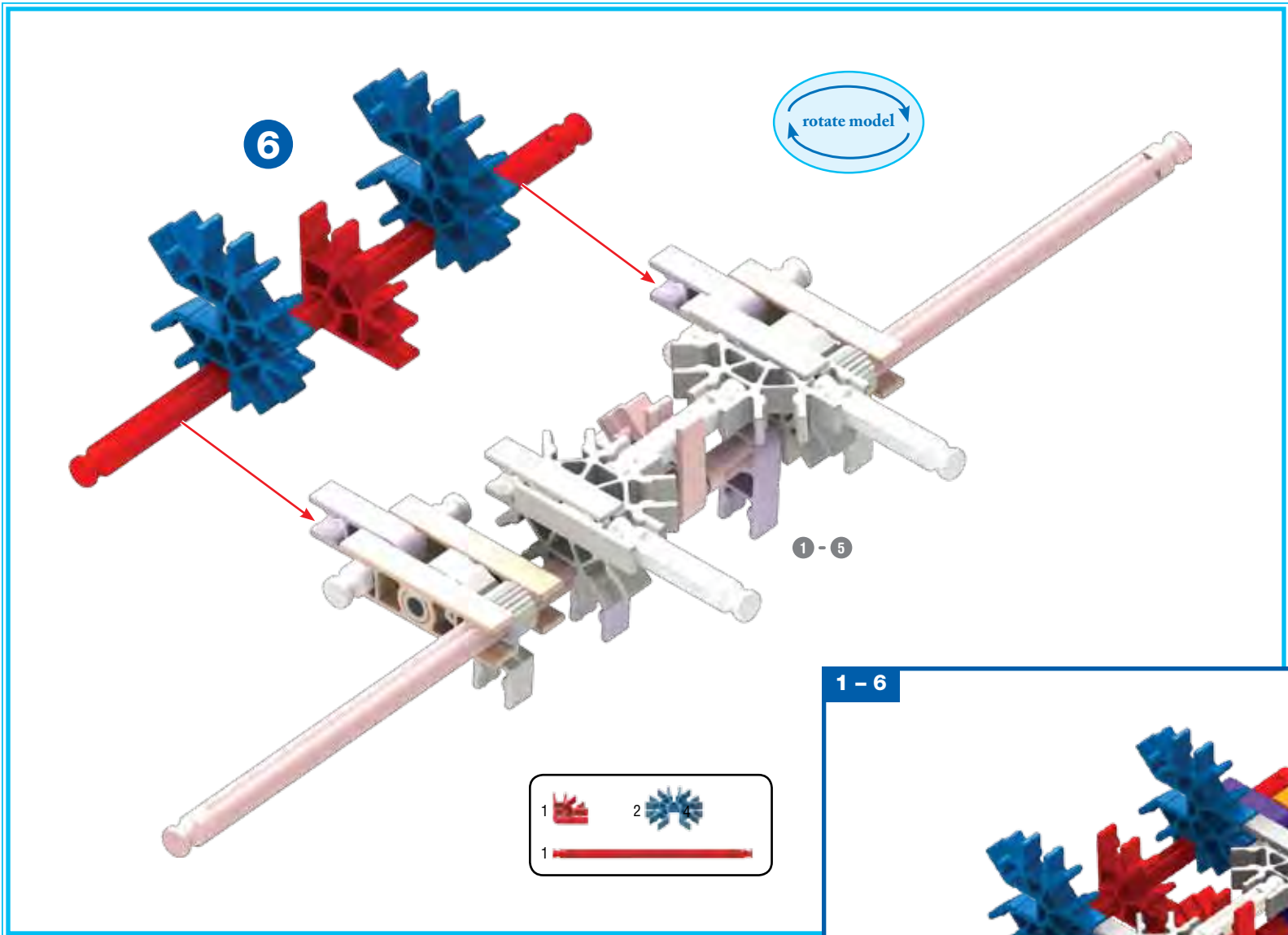


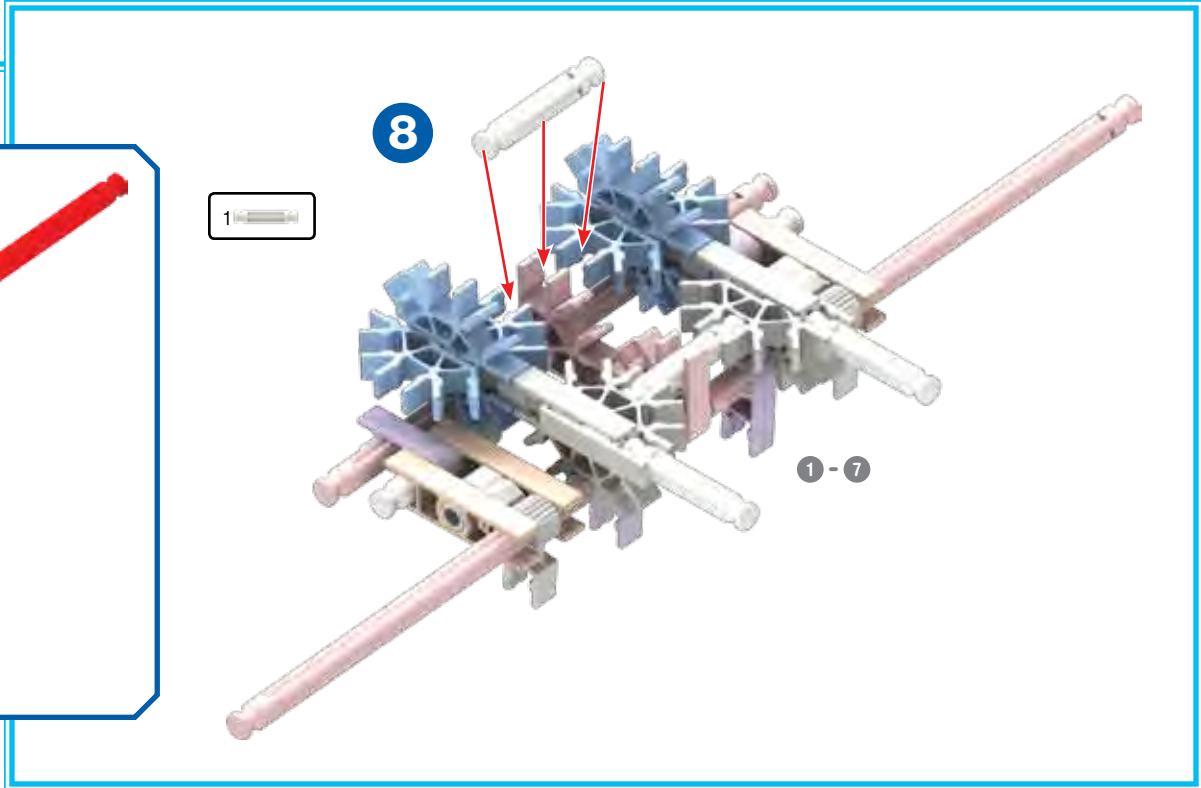
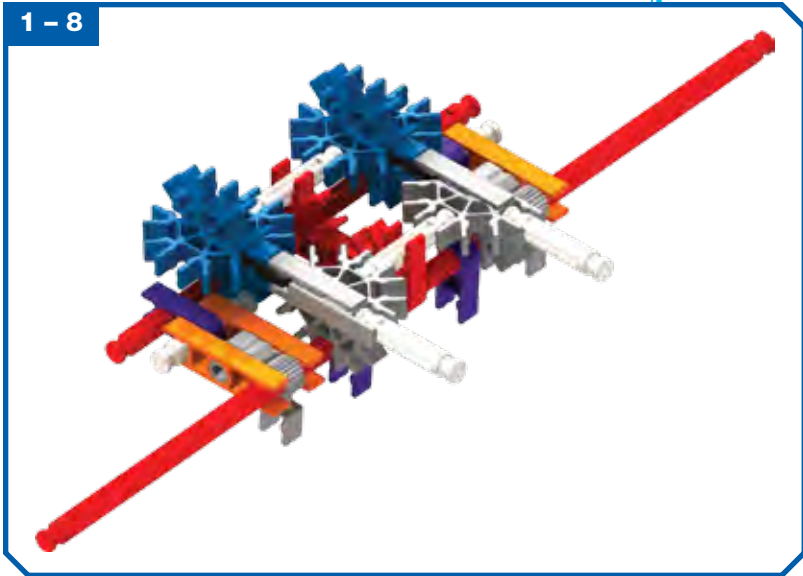
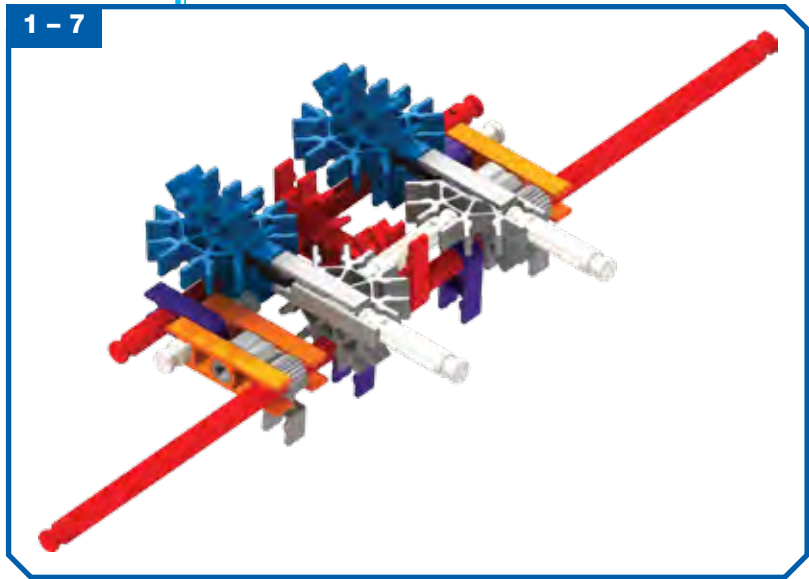
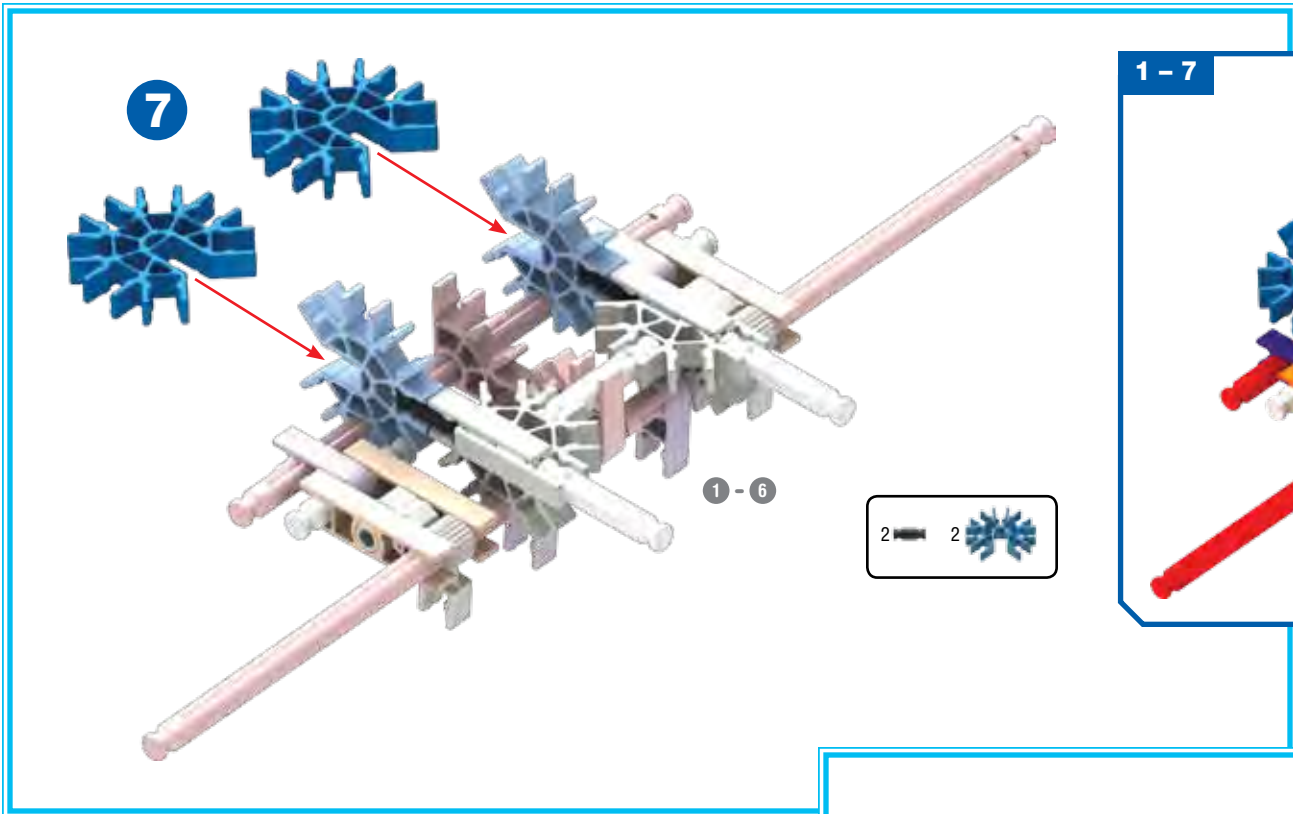
1-4

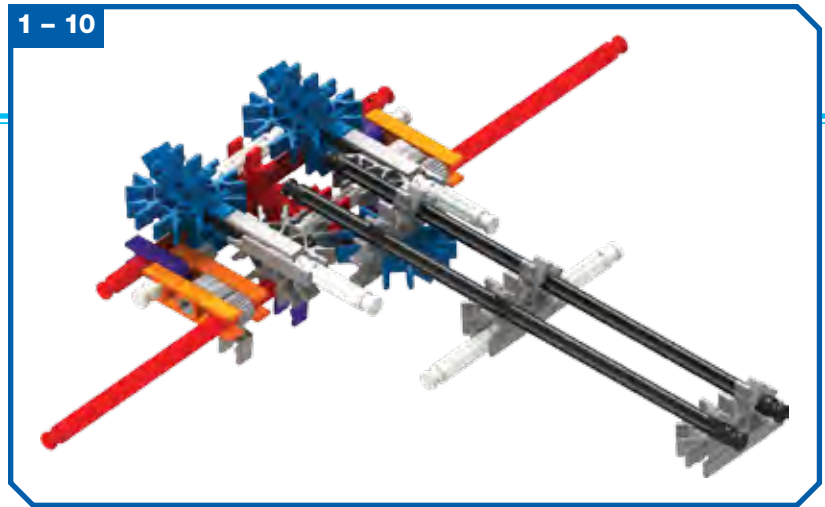
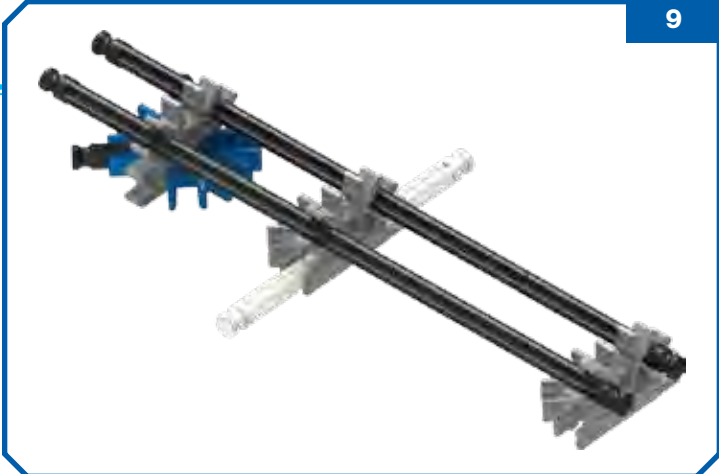
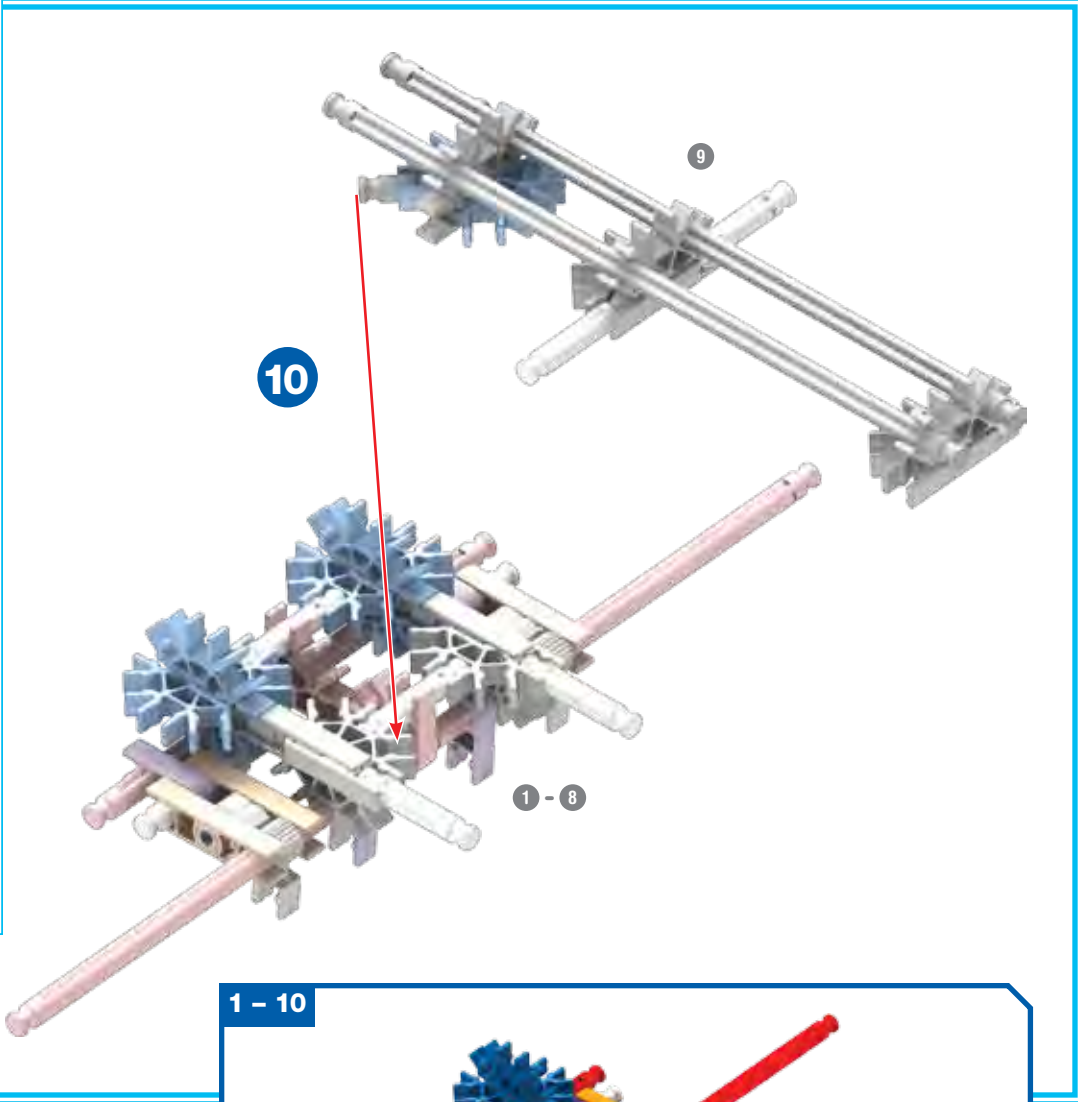
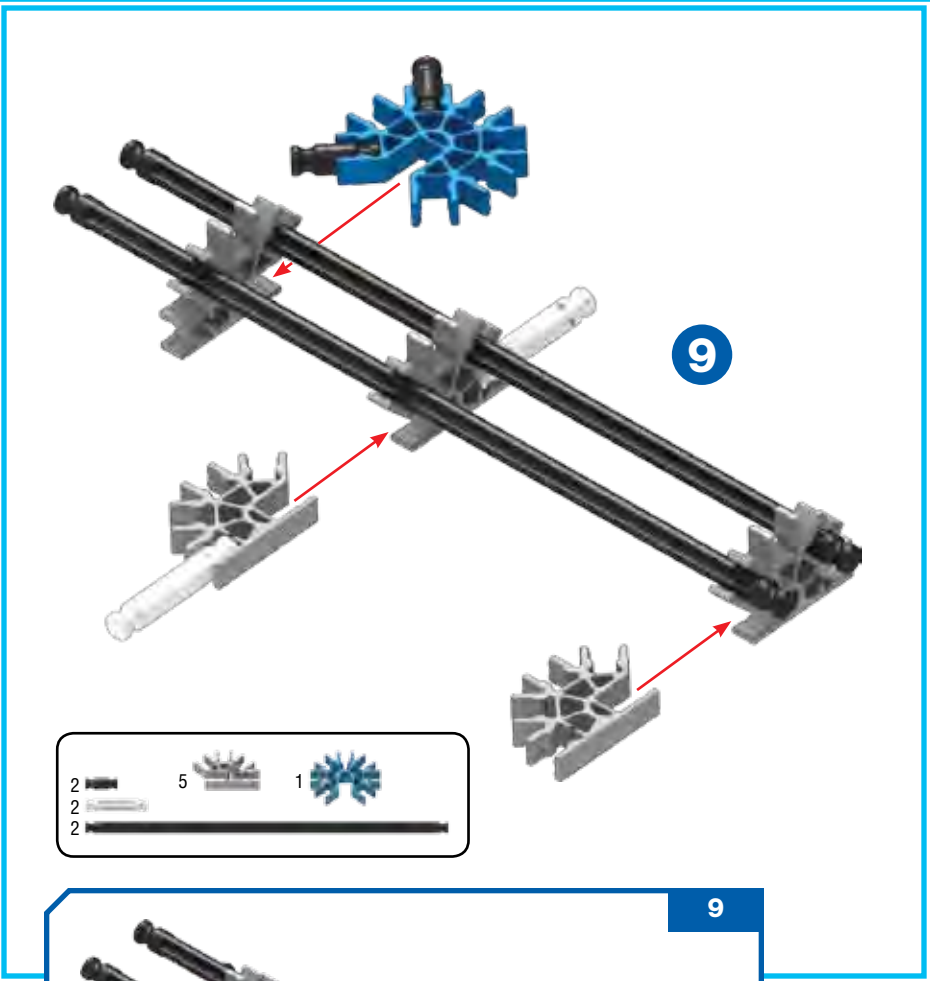






5

1-4







- 1 
- 5 
- 1 
- 2 

rotate model

12

13

1 - 10

11

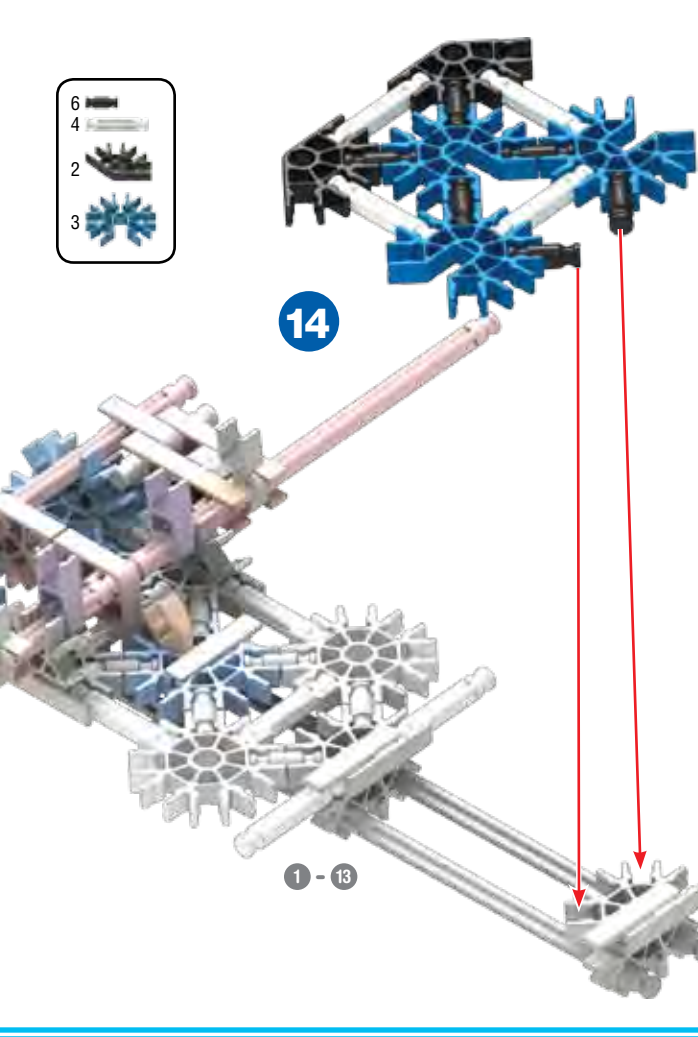
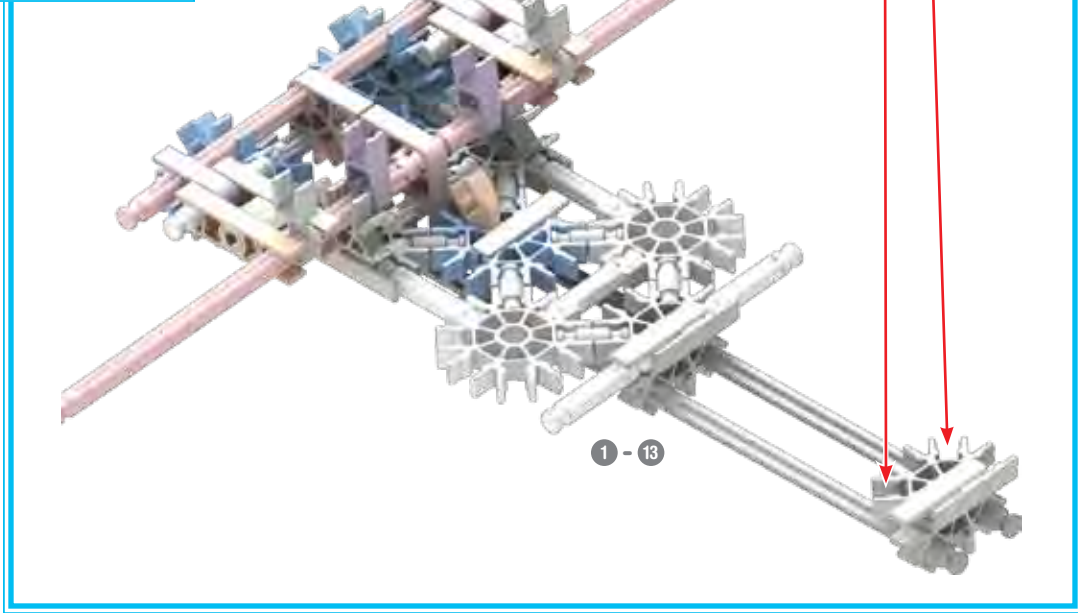
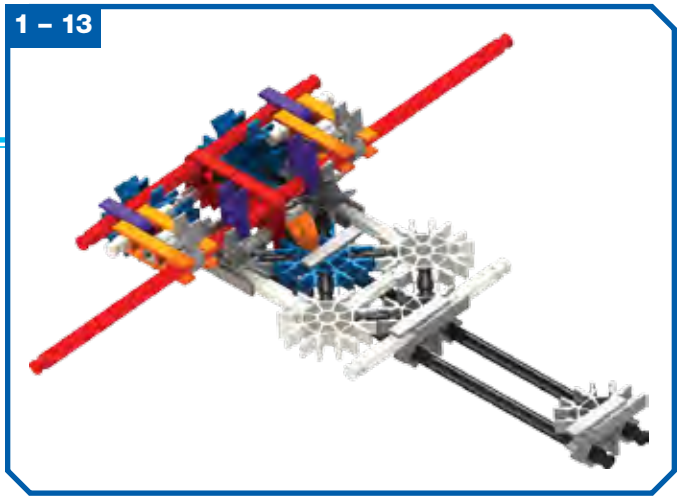
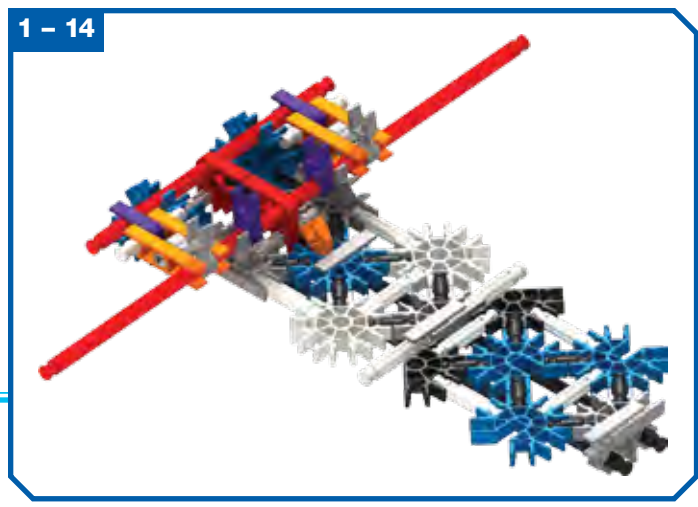
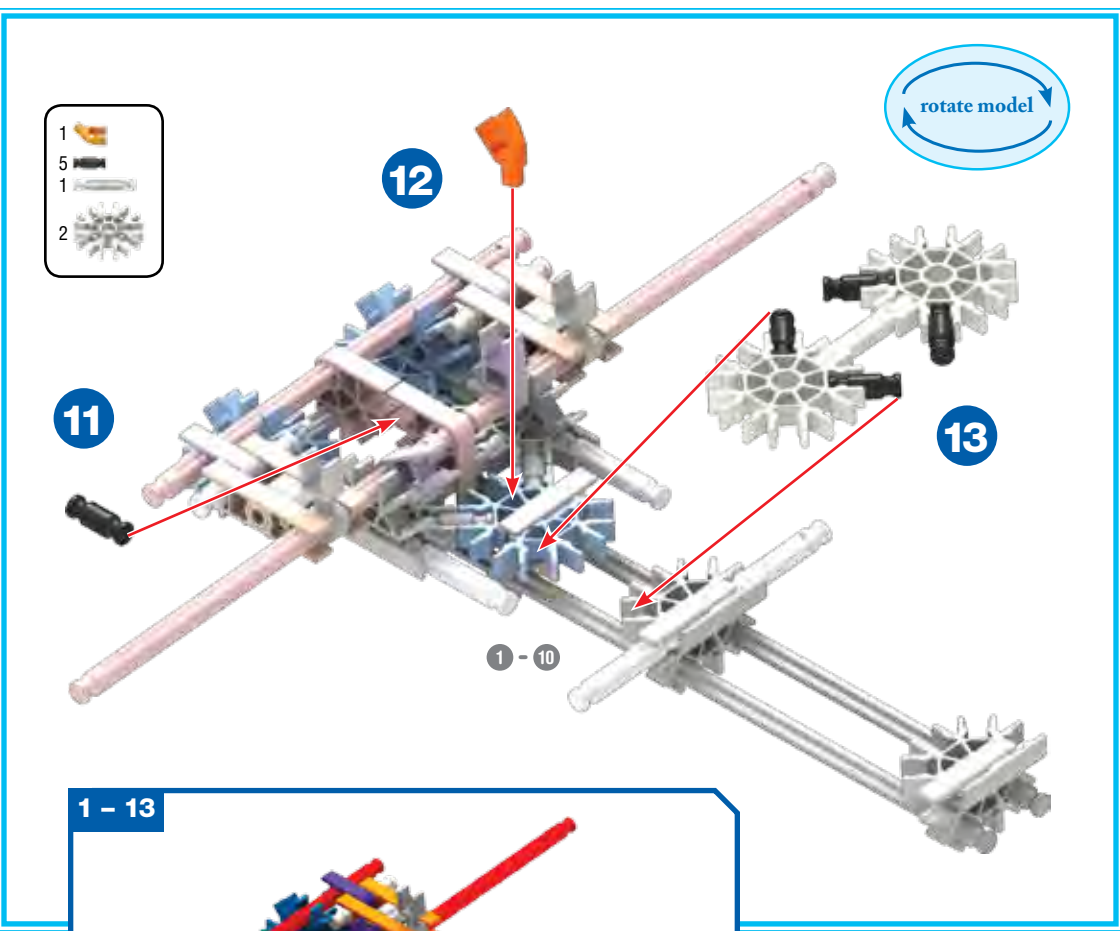
1 - 13

1 - 14

- 6 
- 4 
- 2 
- 3 

14

1 - 13

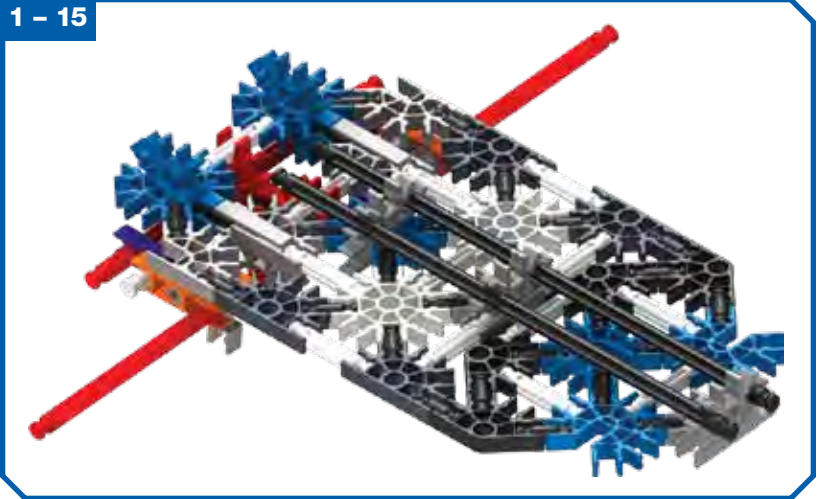
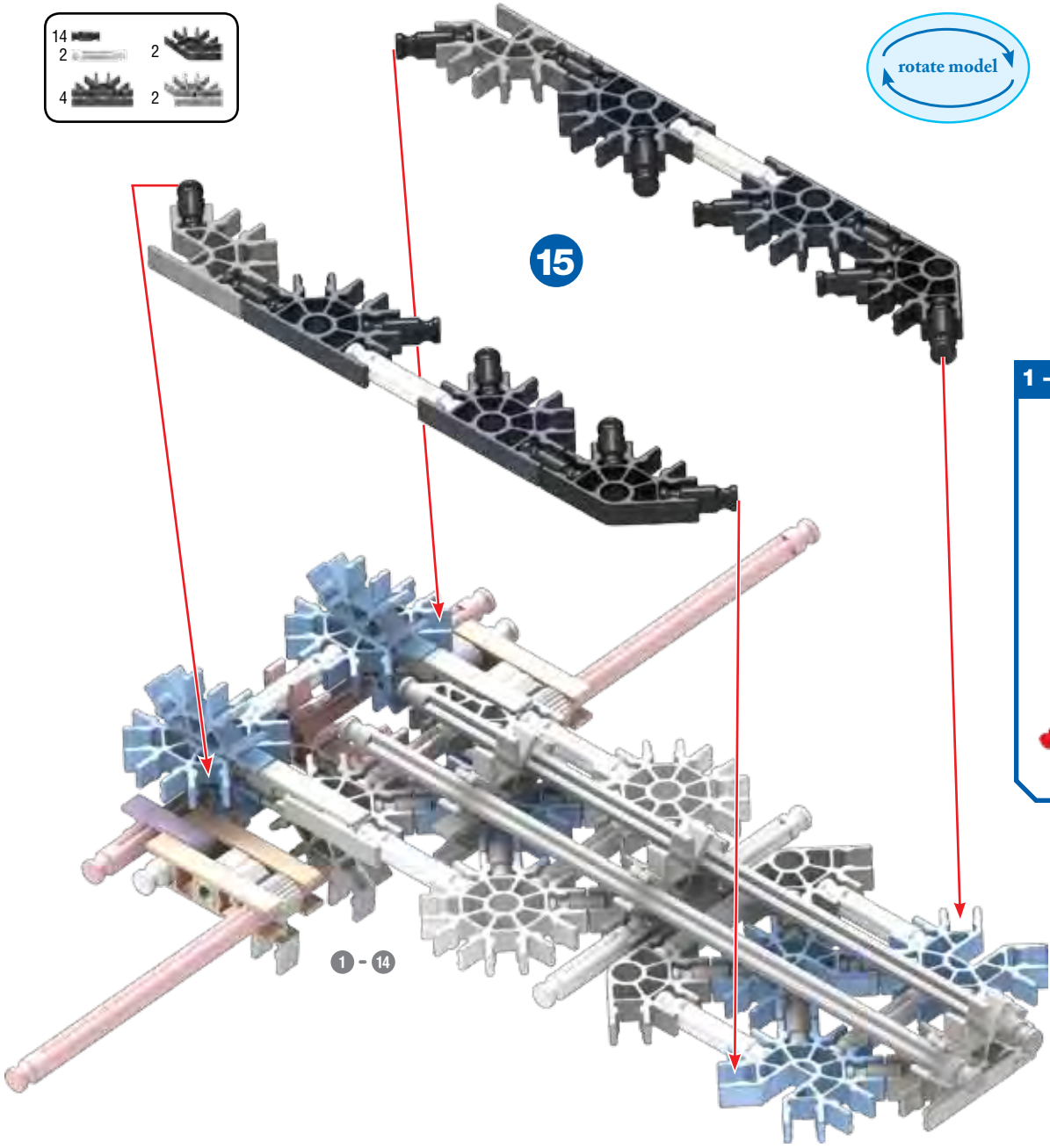


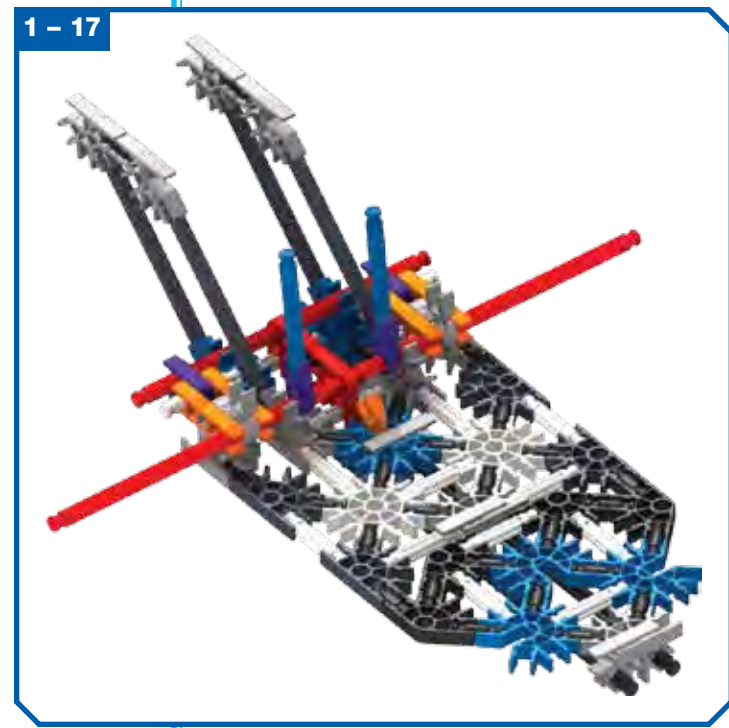
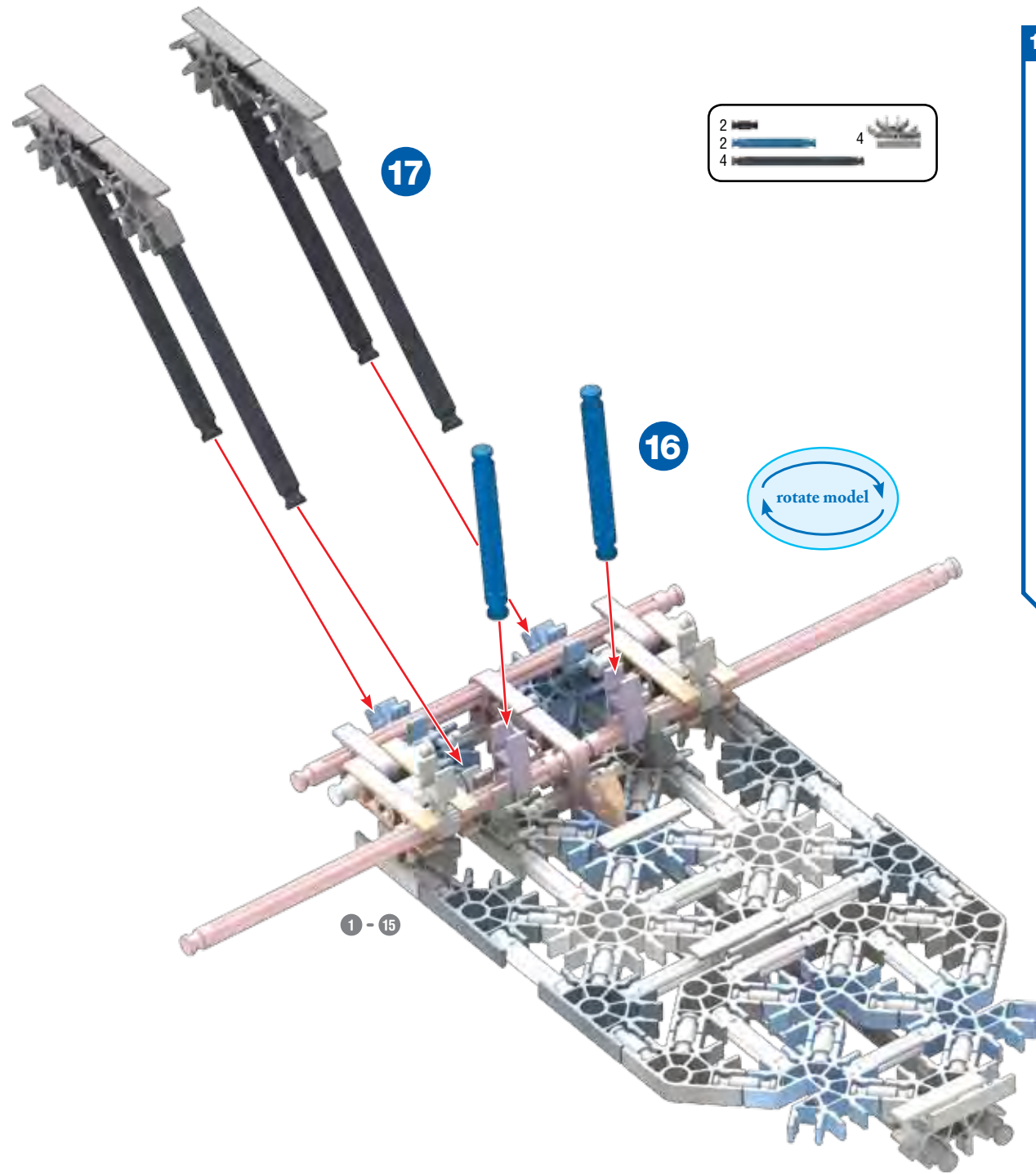
14		2	
2		2	
4		2	

rotate model

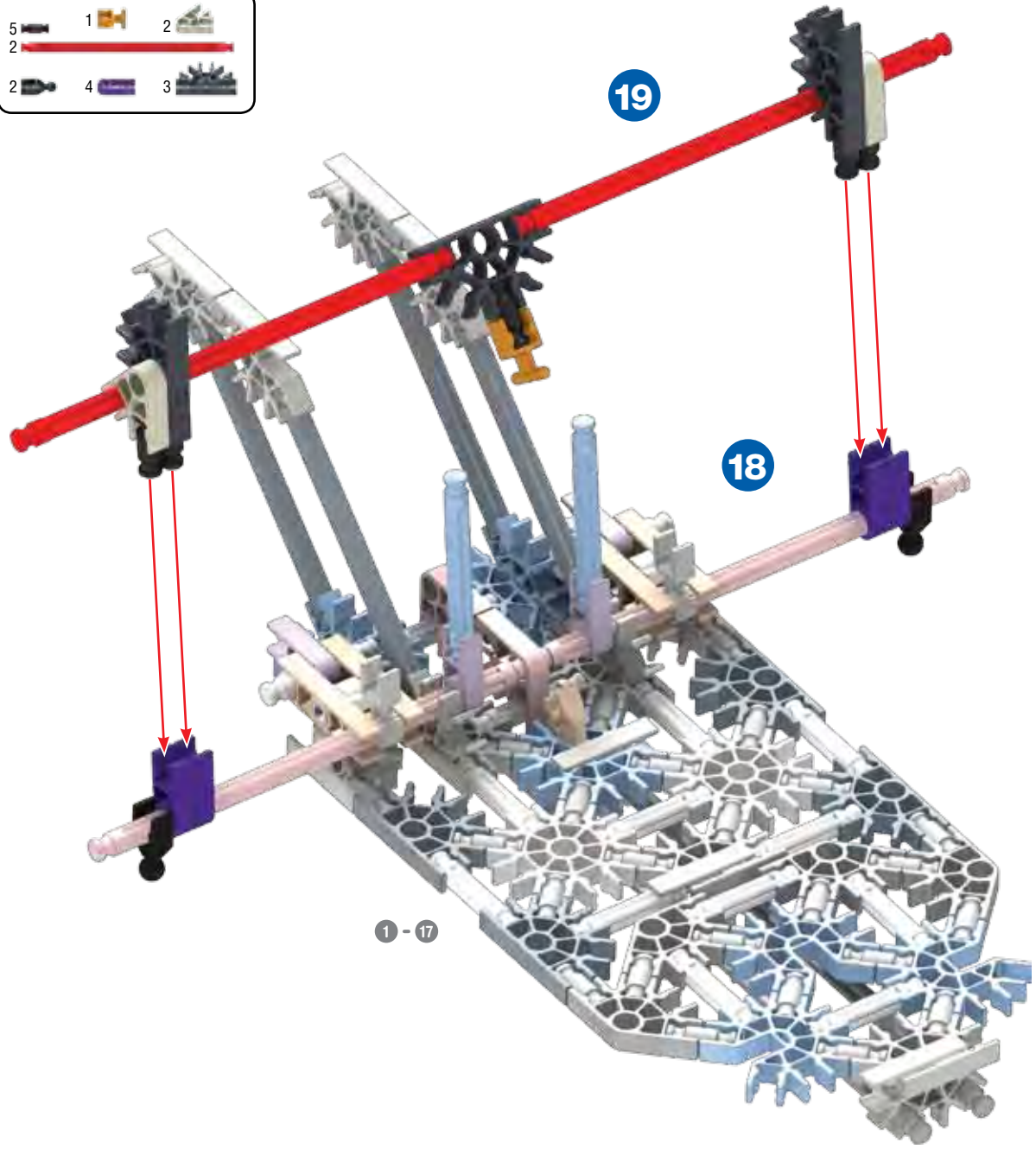
15

1 - 15



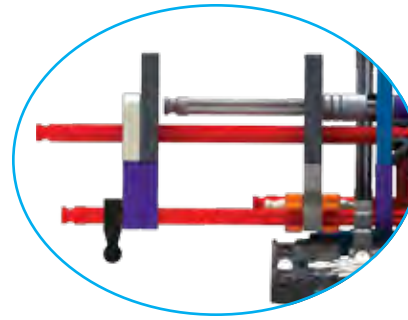
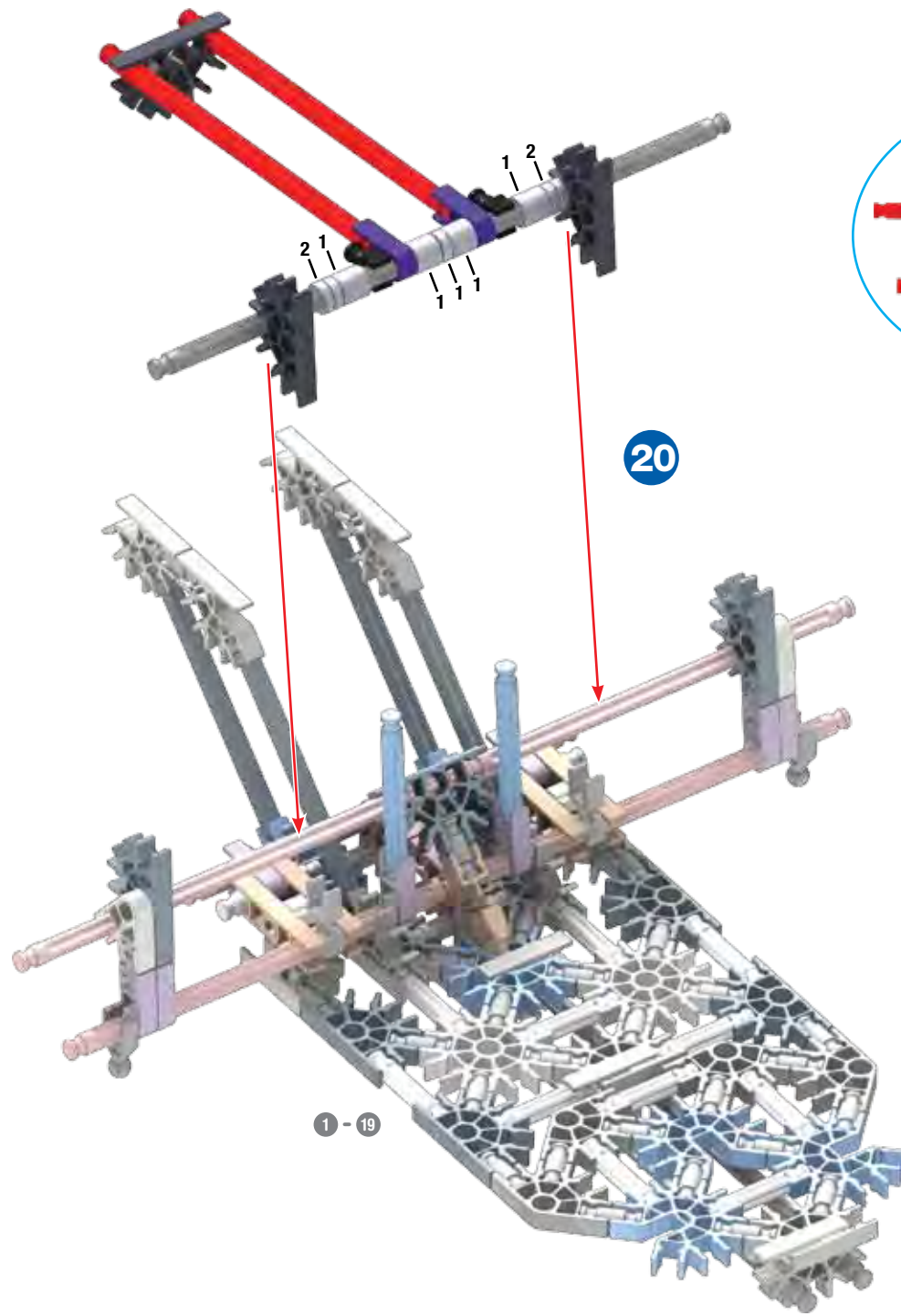


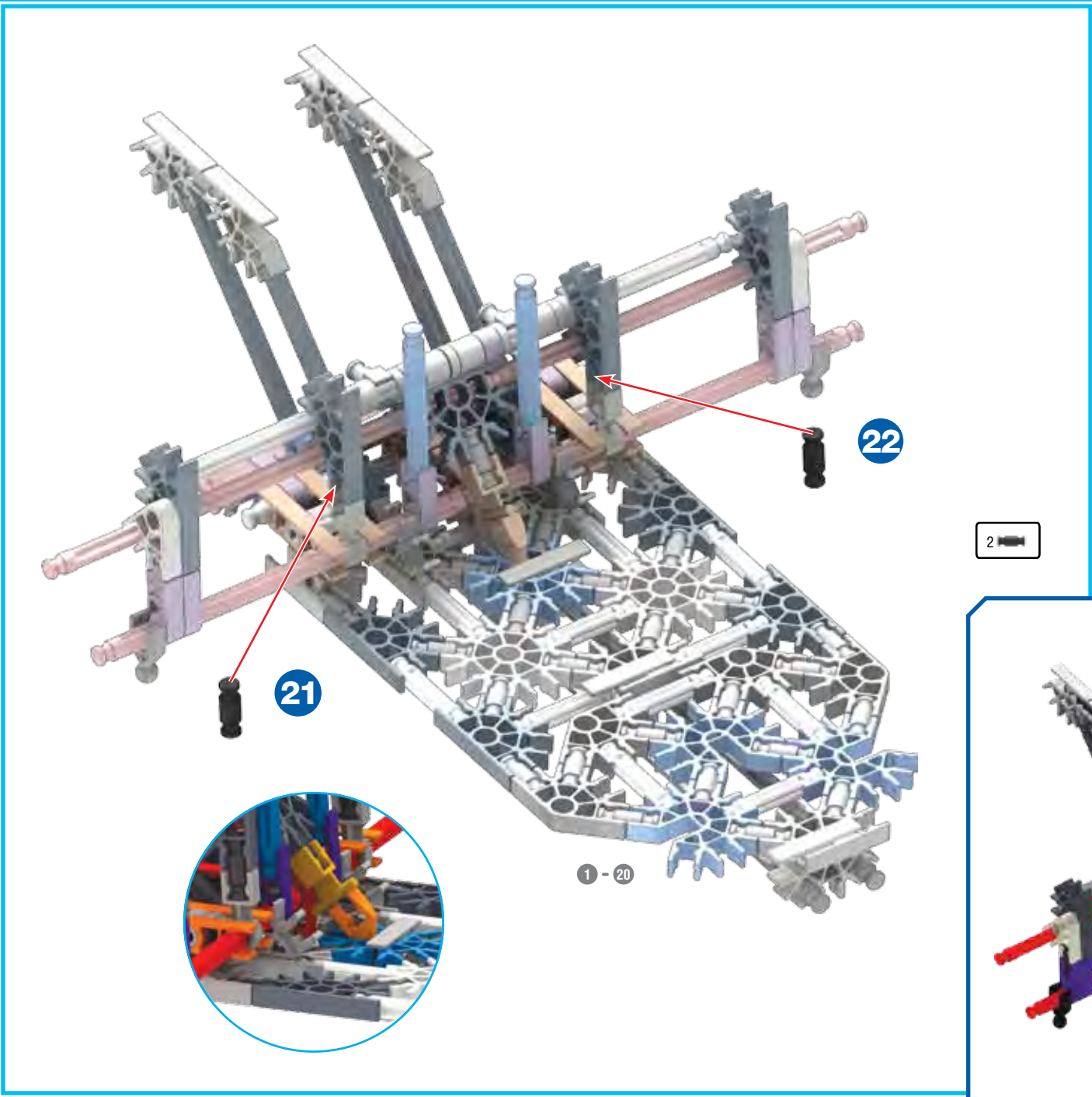
- | | | |
|---|---|---|
| 5 | 1 | 2 |
| 2 | | |
| 2 | 4 | 3 |



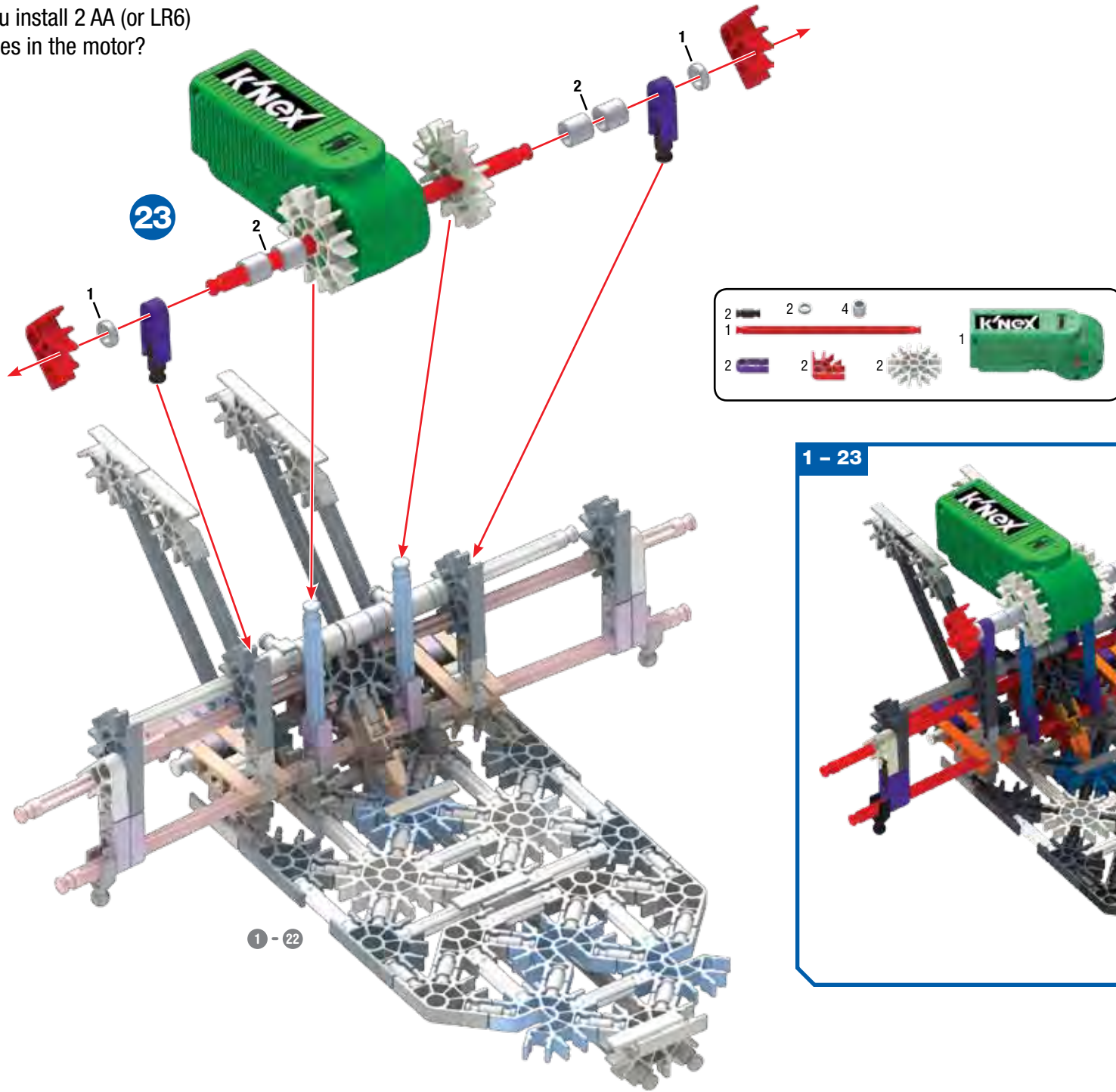
1 - 19







Did you install 2 AA (or LR6) batteries in the motor?

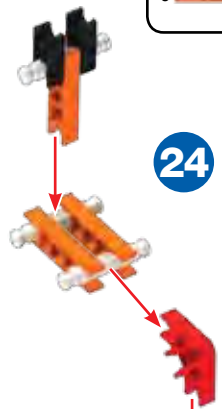


1 - 24

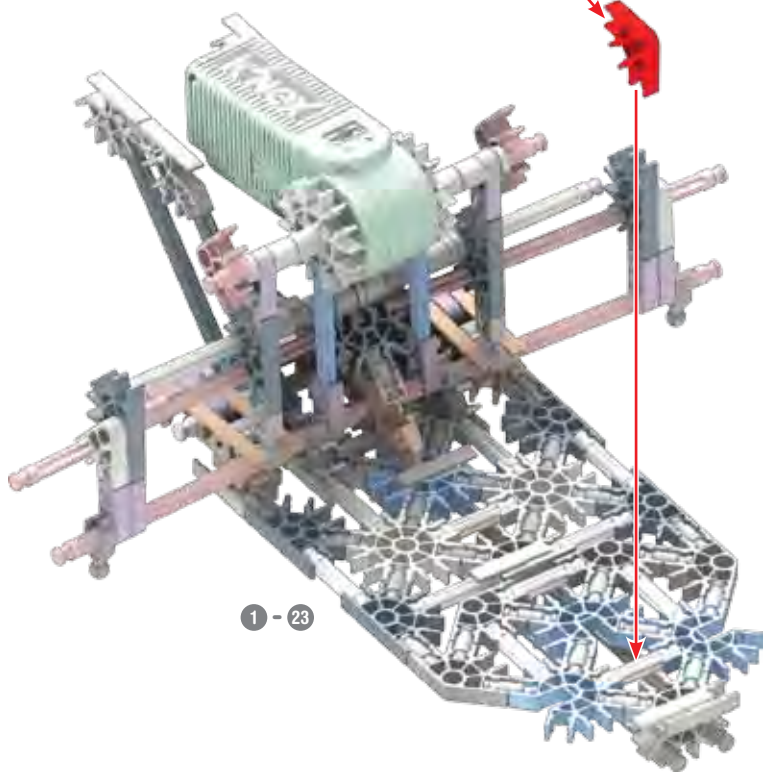


- | | |
|---|---|
| 3 | 2 |
| 3 | 1 |

24

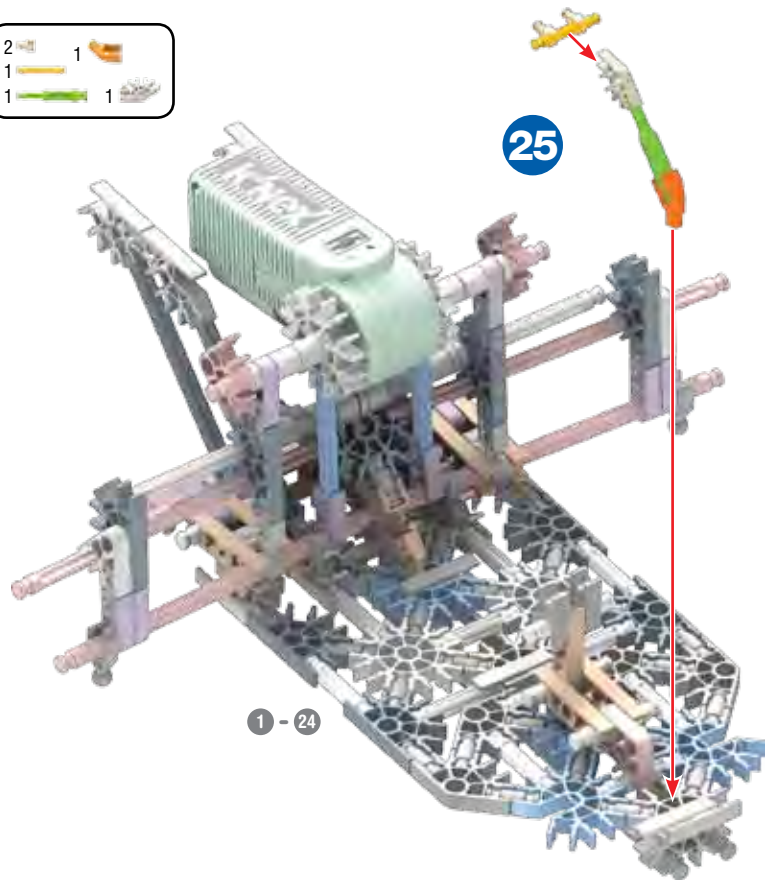


1 - 23



- | | |
|---|---|
| 2 | 1 |
| 1 | 1 |
| 1 | 1 |

25

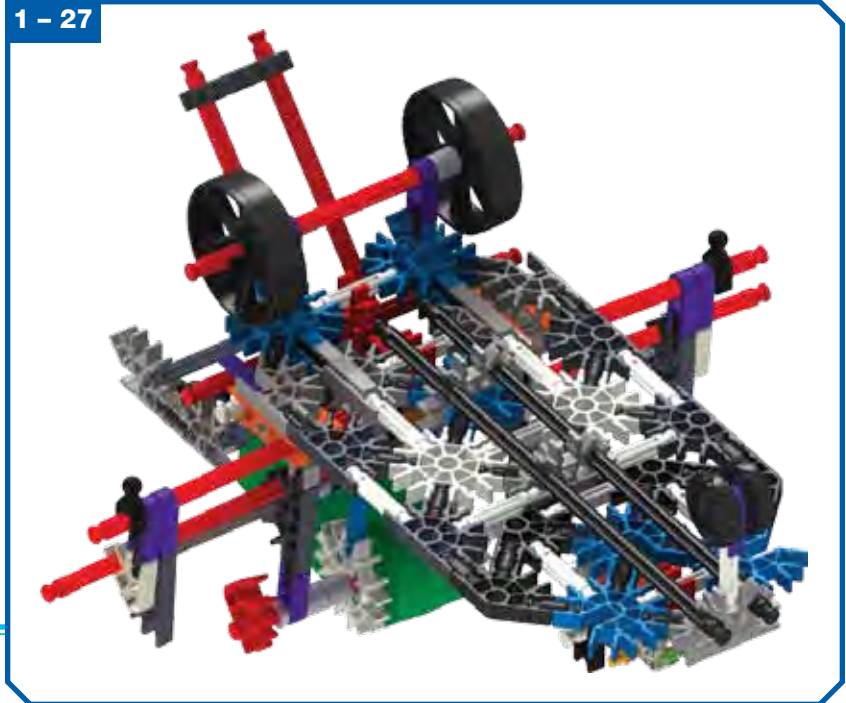
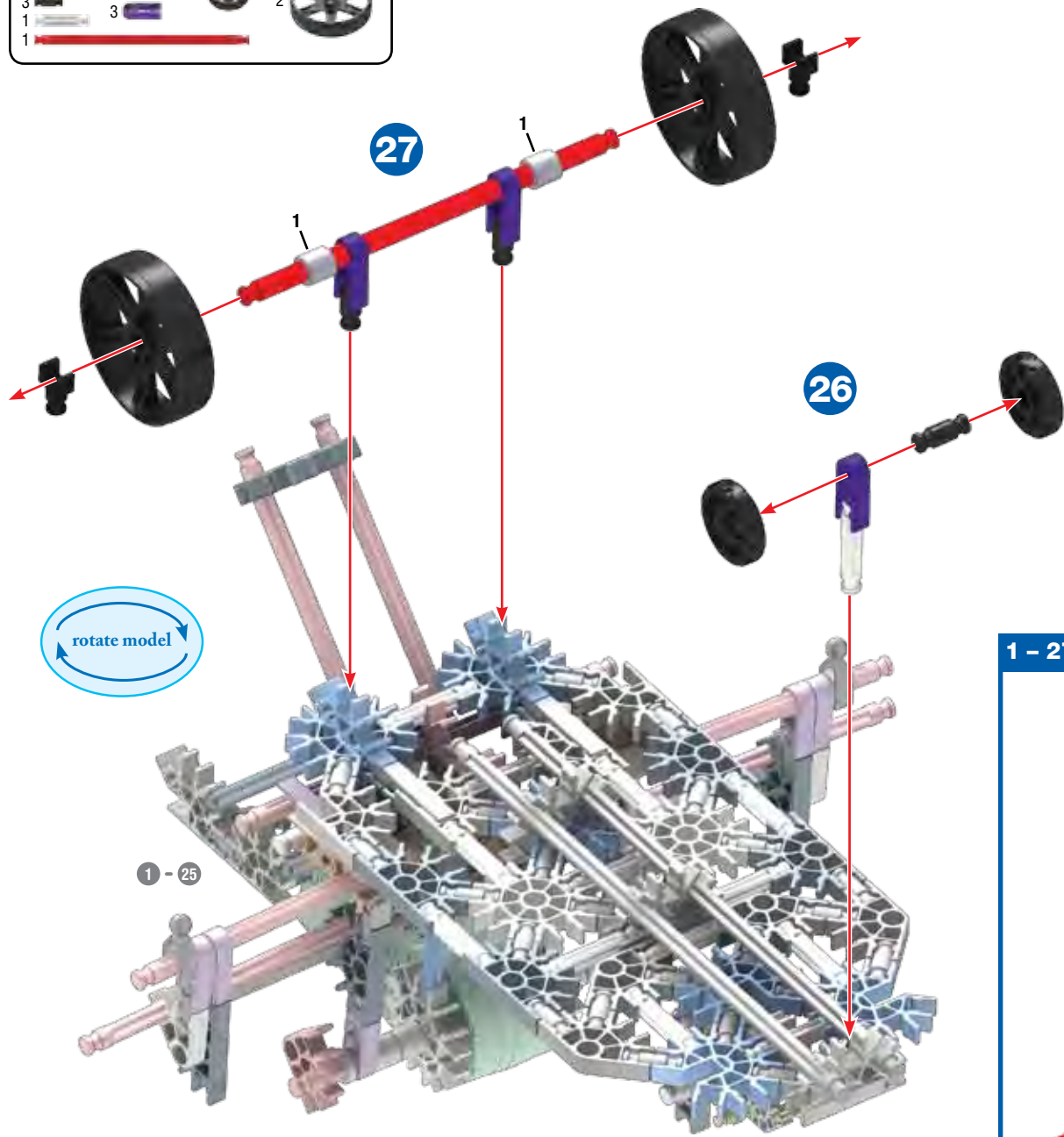


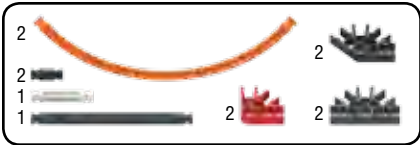
1 - 24

1 - 25

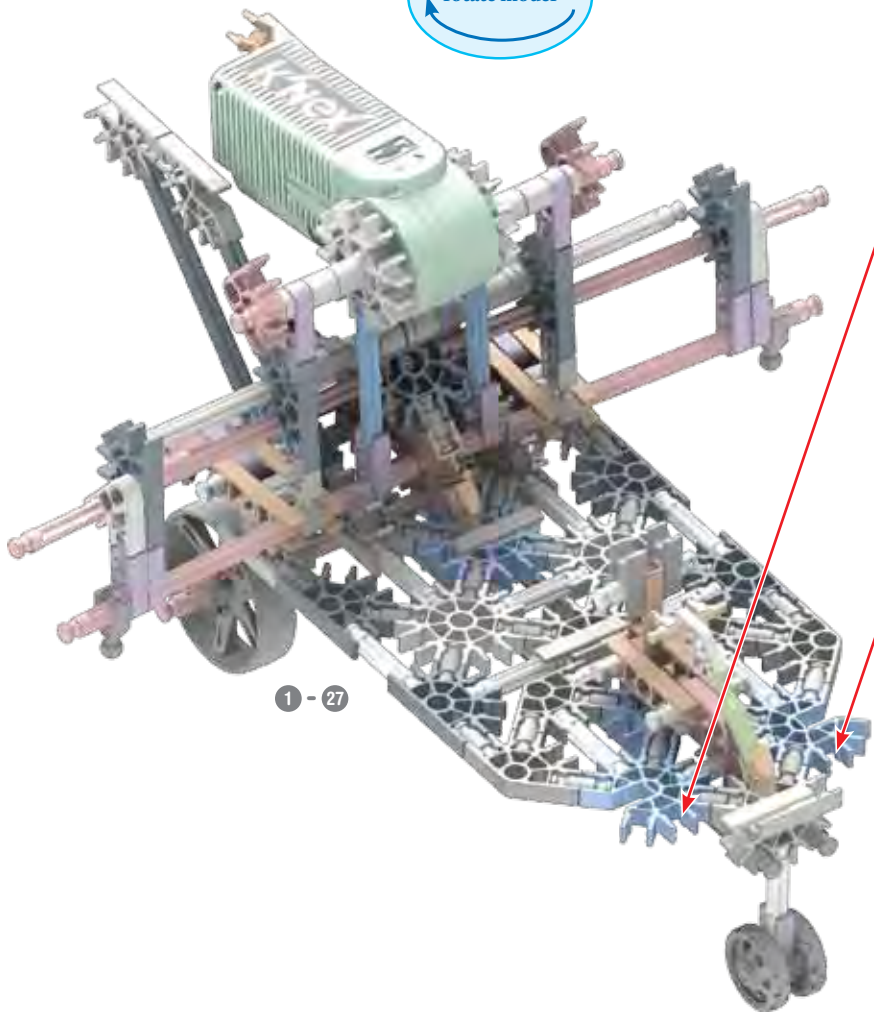
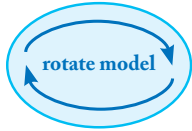


- | | | | |
|---|---|---|---|
| 2 | 2 | 2 | 2 |
| 3 | 3 | | |
| 1 | | | |
| 1 | | | |





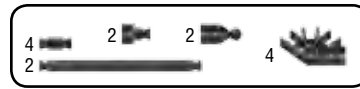
28



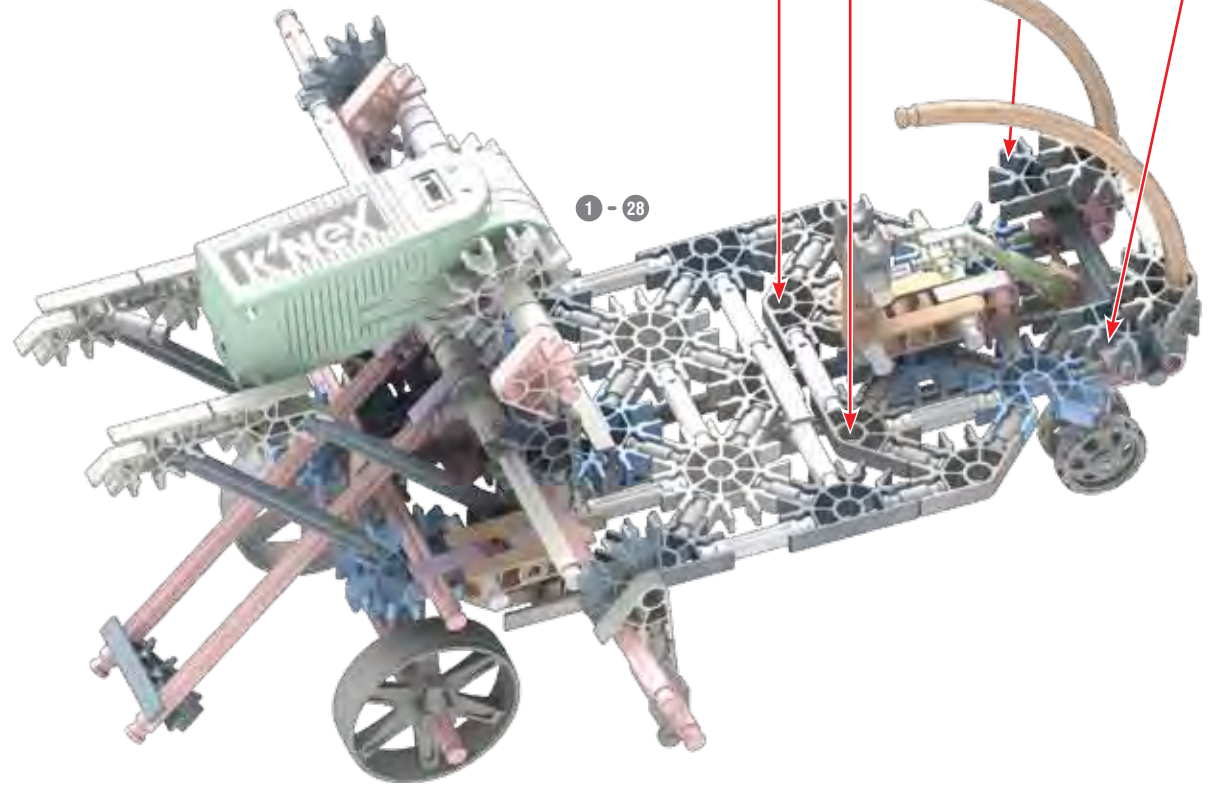
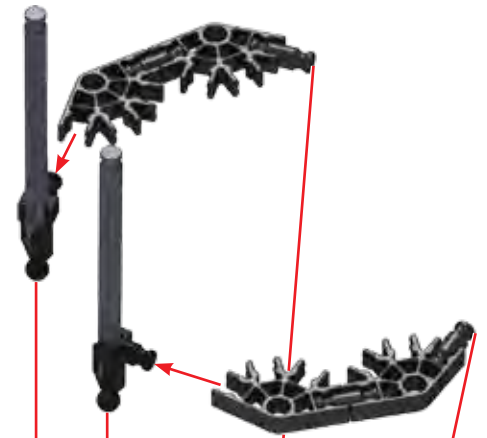
1 - 28



1 - 29



29

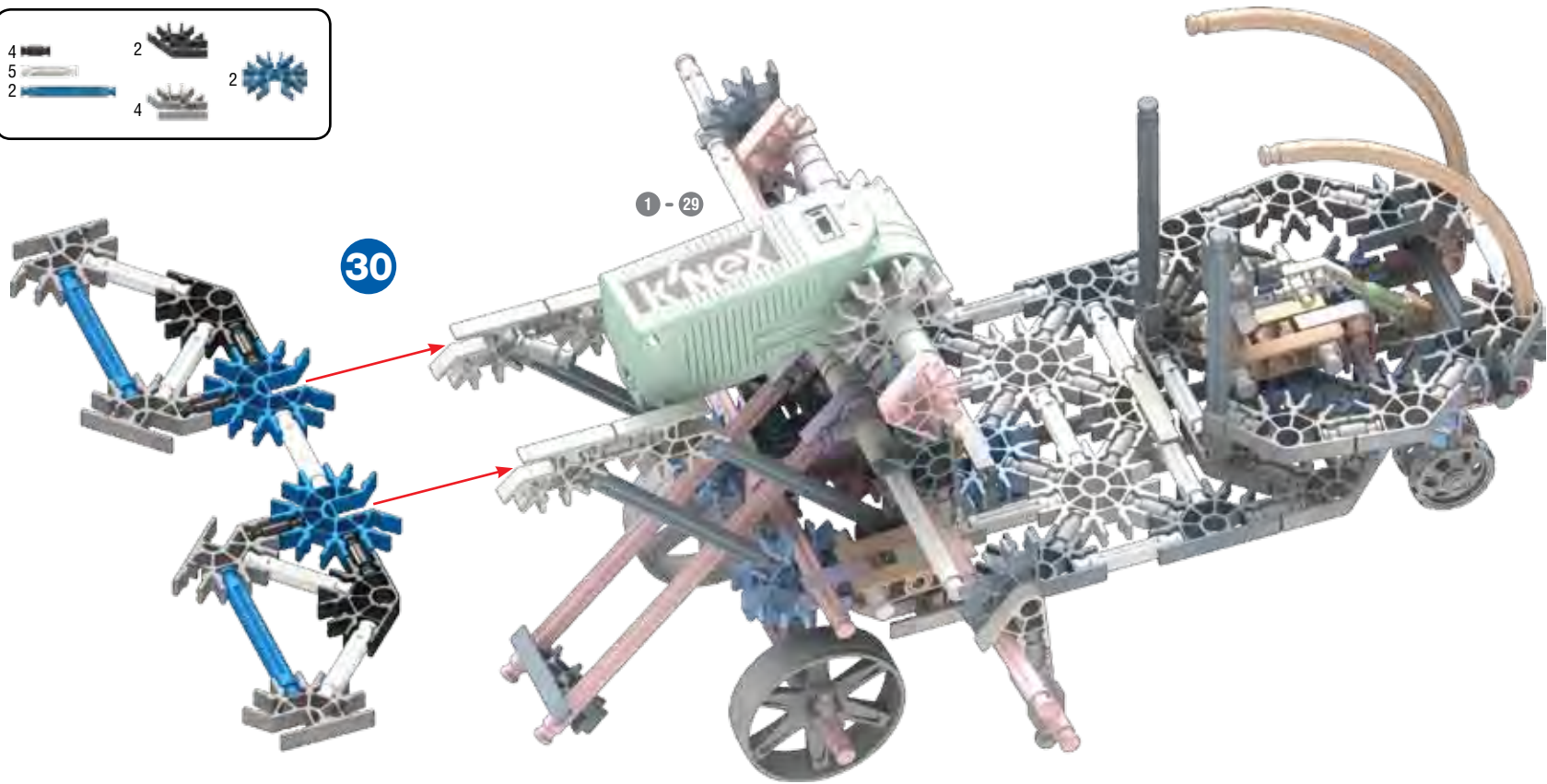


1 - 28

- | | | |
|---|---|---|
| 4 | 2 | 2 |
| 5 | 4 | |
| 2 | | |

30

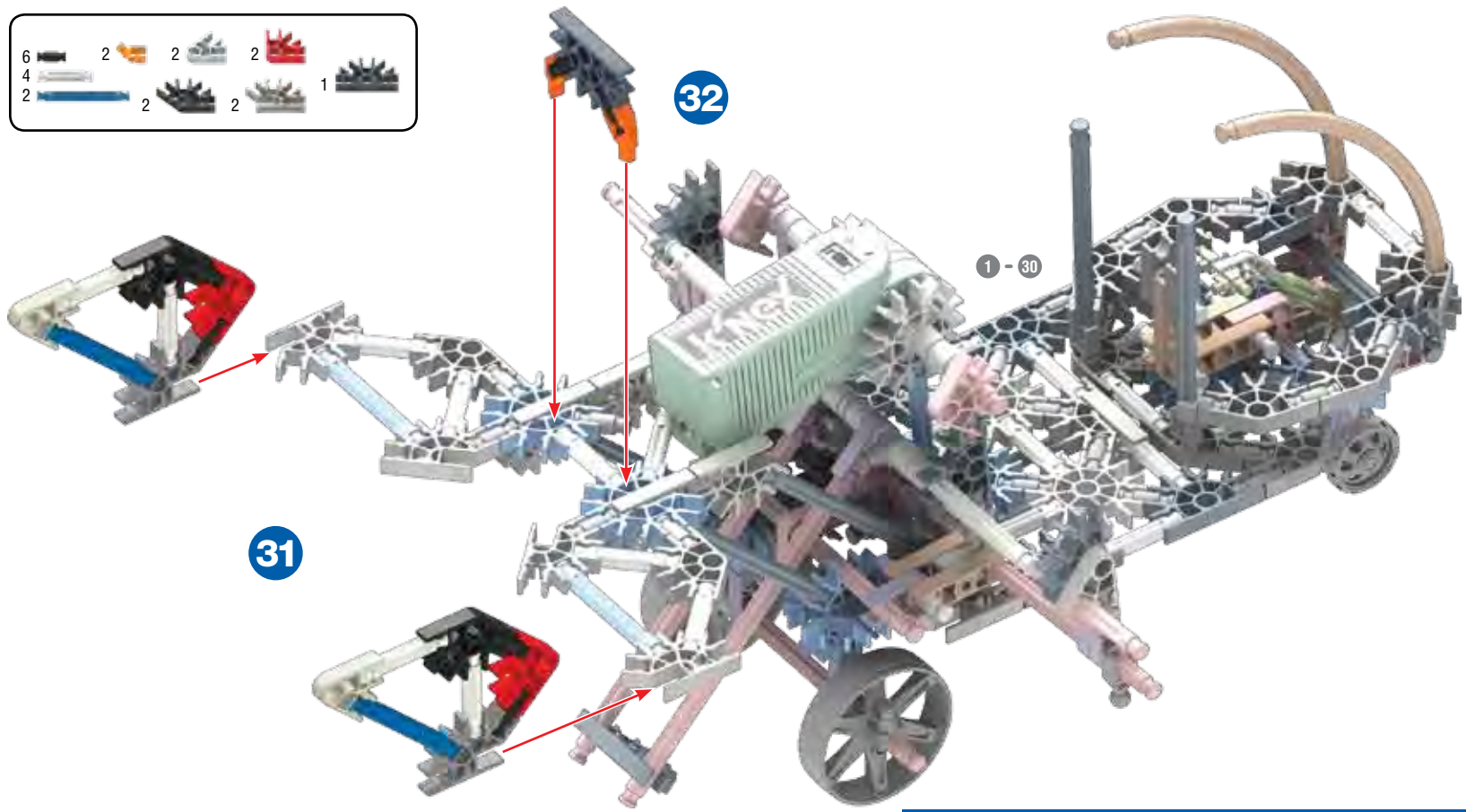
1 - 29



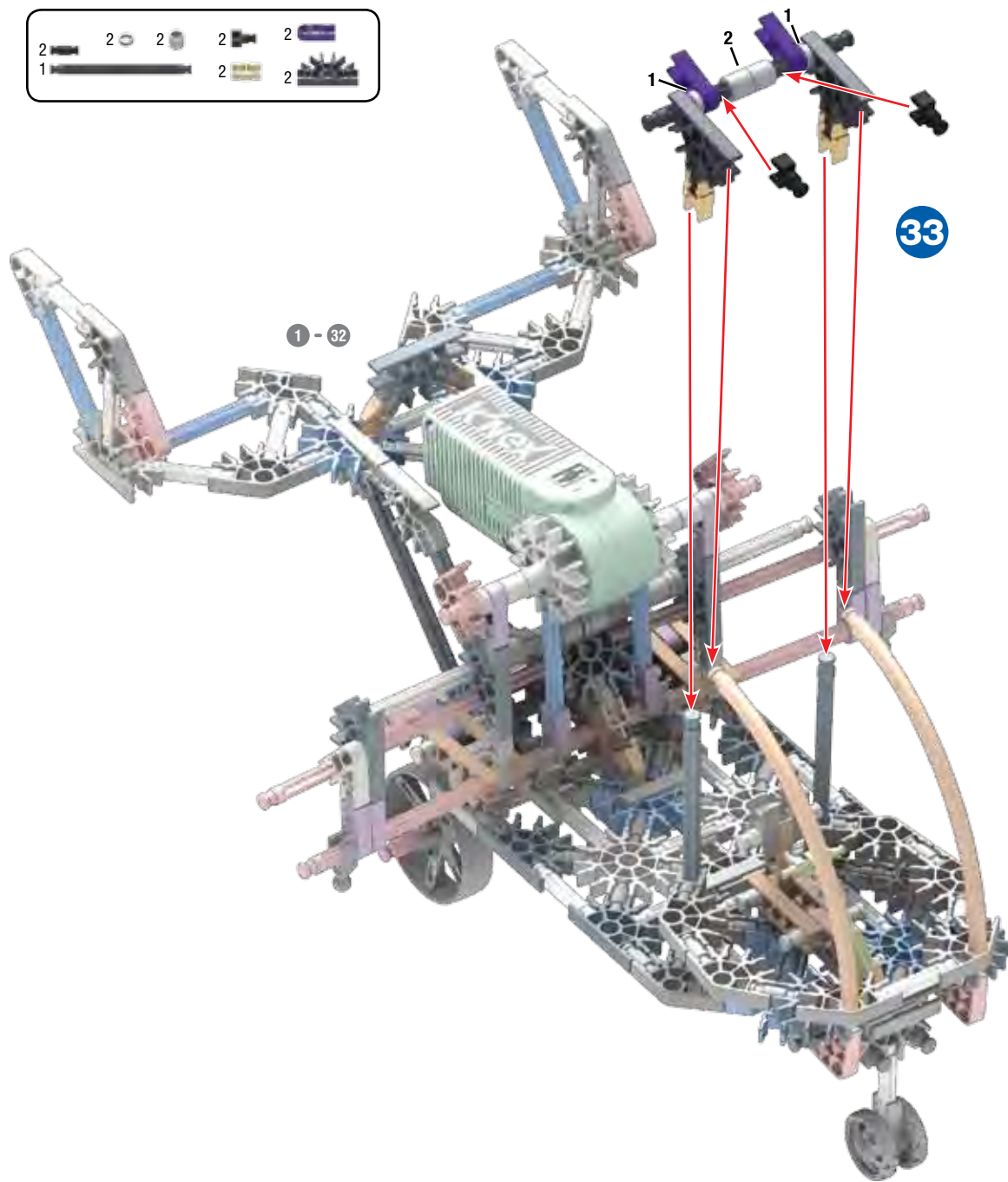
1 - 30



- | | | | | | |
|---|---|---|---|---|--|
| 6 | 2 | 2 | 2 | 2 | |
| 4 | | | | | |
| 2 | | 2 | 2 | 1 | |



- | | | | | |
|---|---|---|---|---|
| 2 | 2 | 2 | 2 | 2 |
| 1 | 2 | 2 | 2 | 2 |



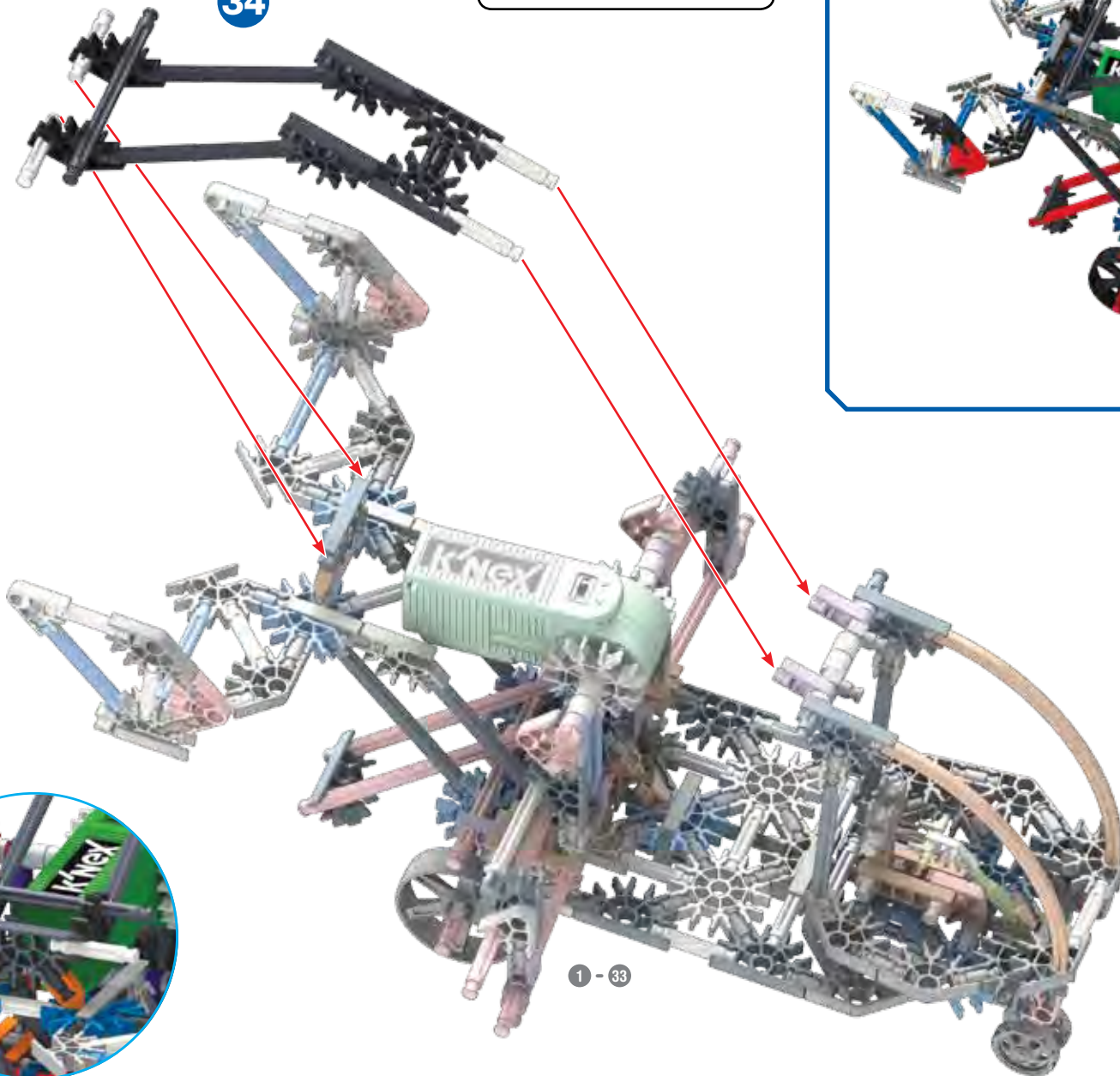
1 - 33



1 - 34

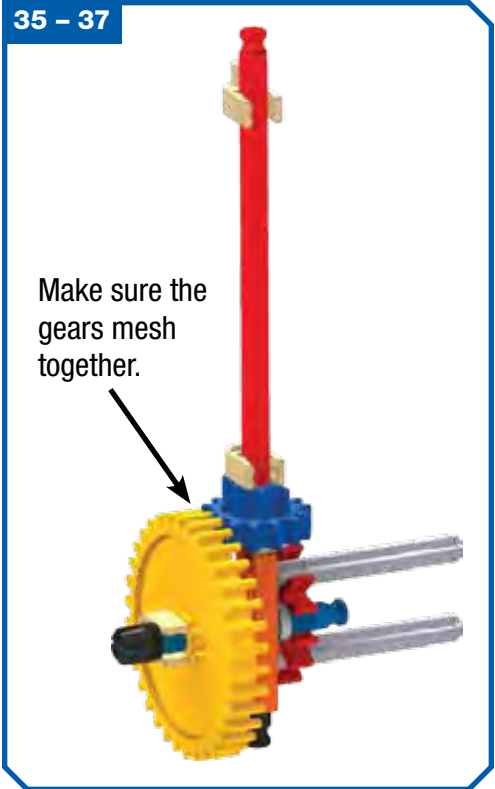
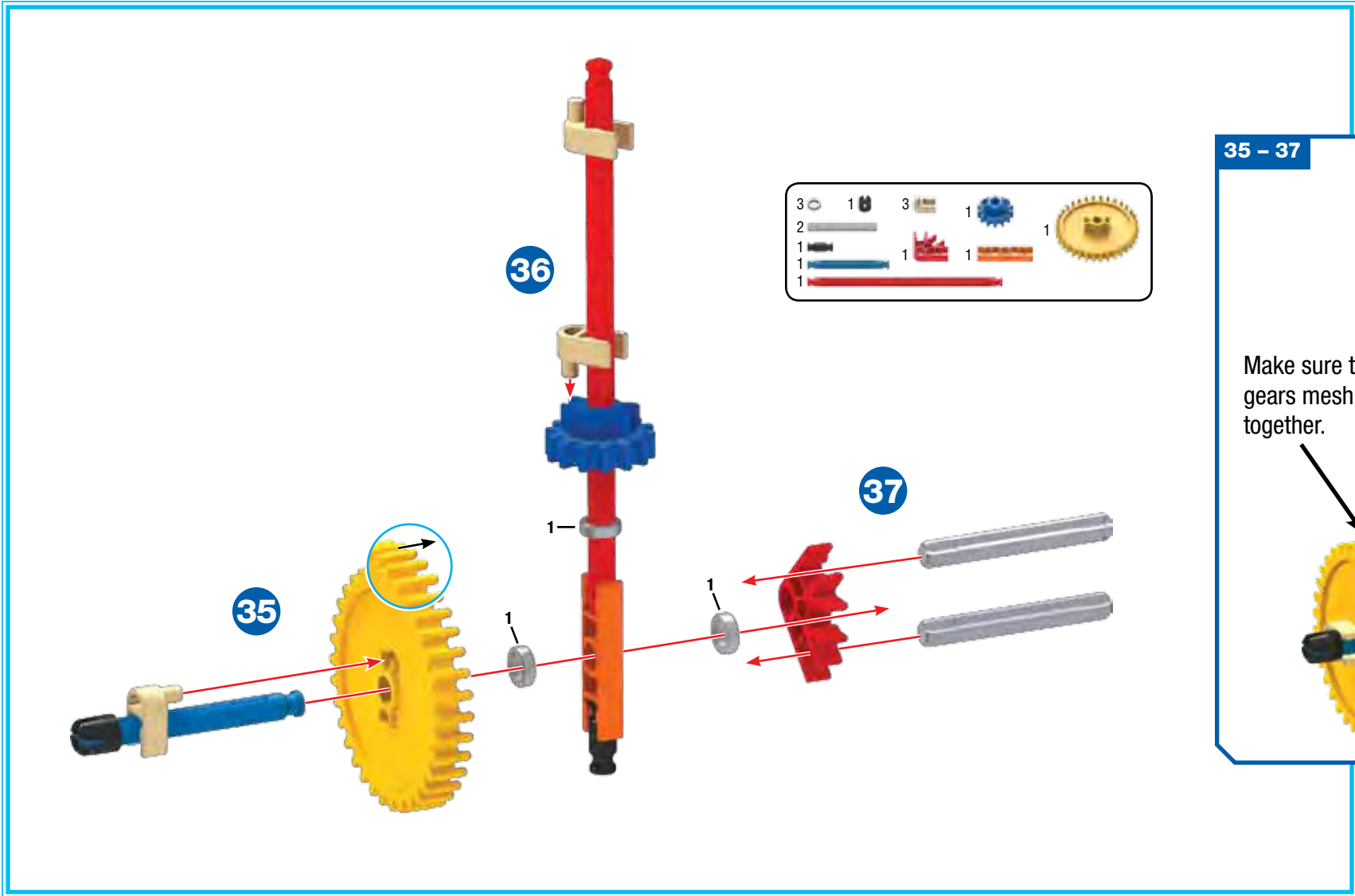


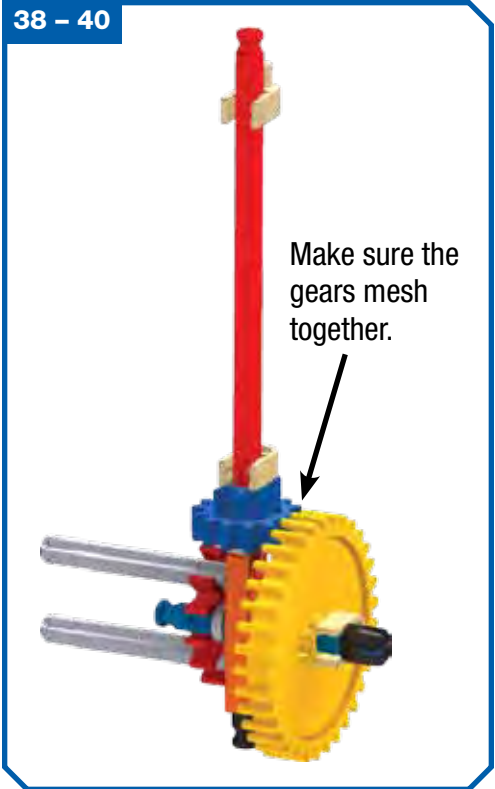
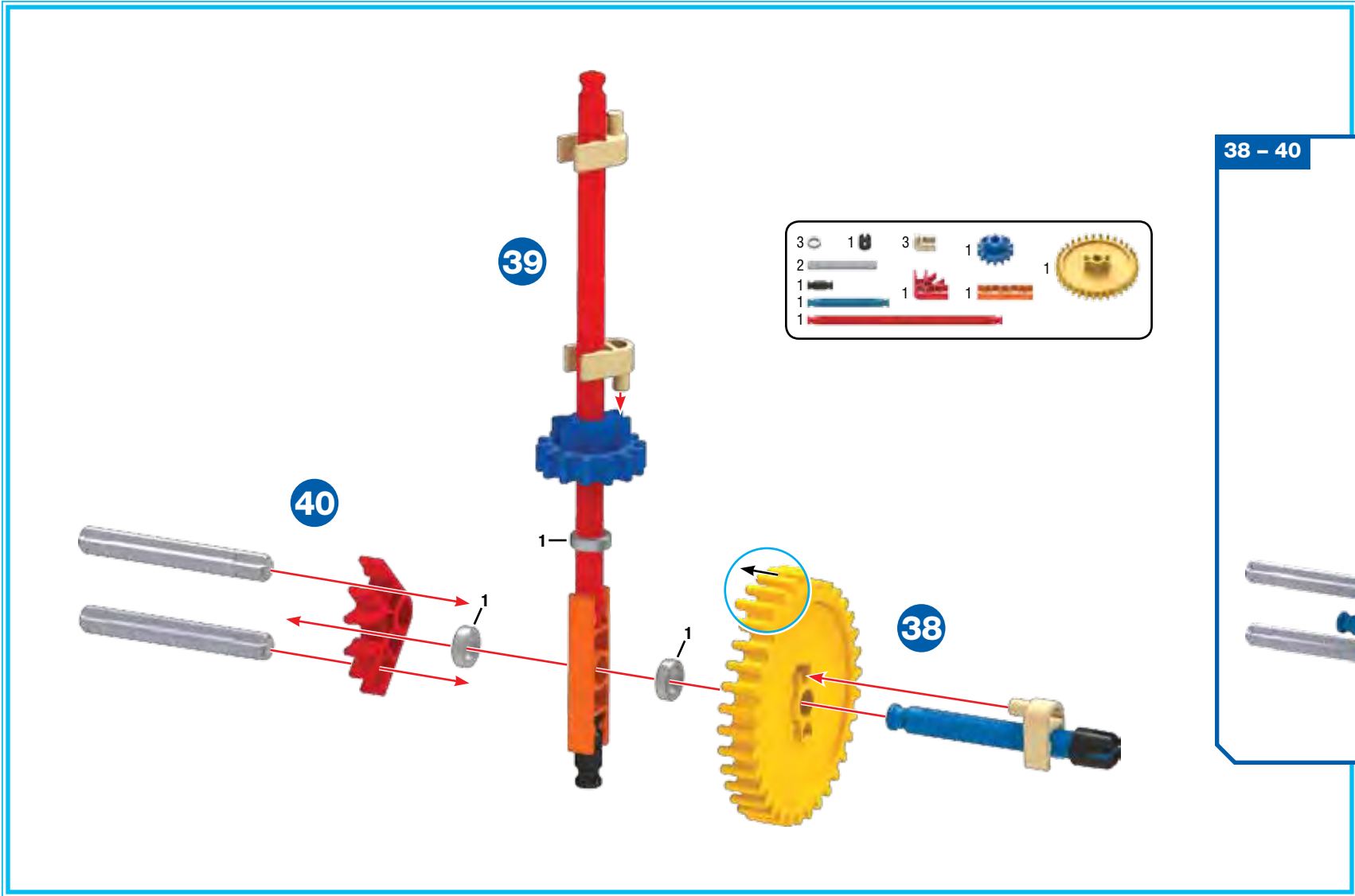
34

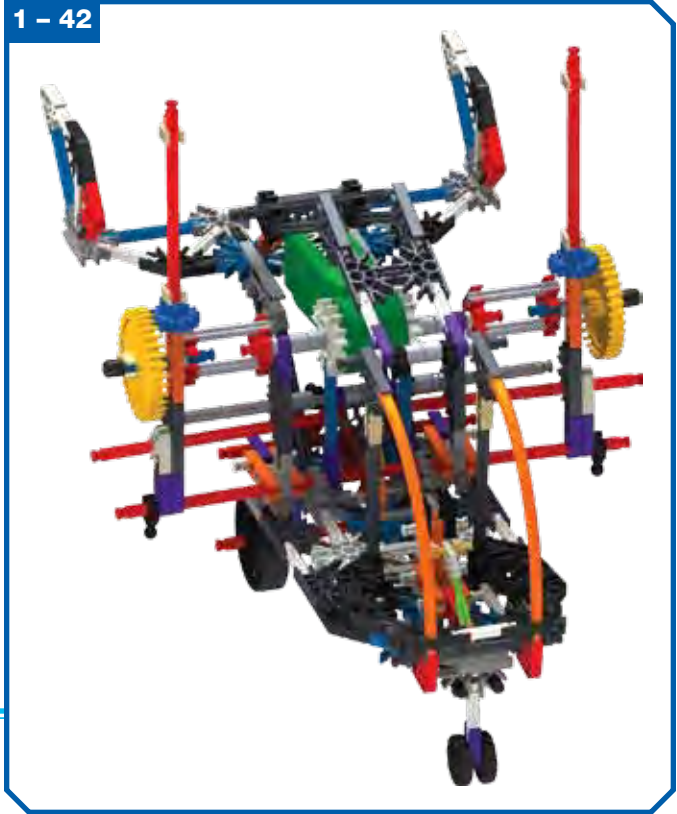
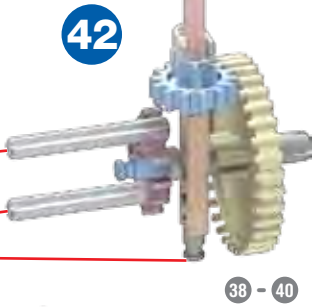
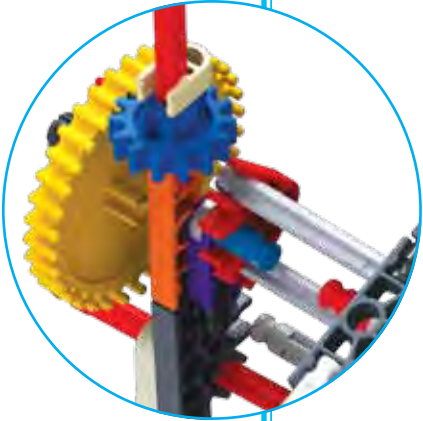
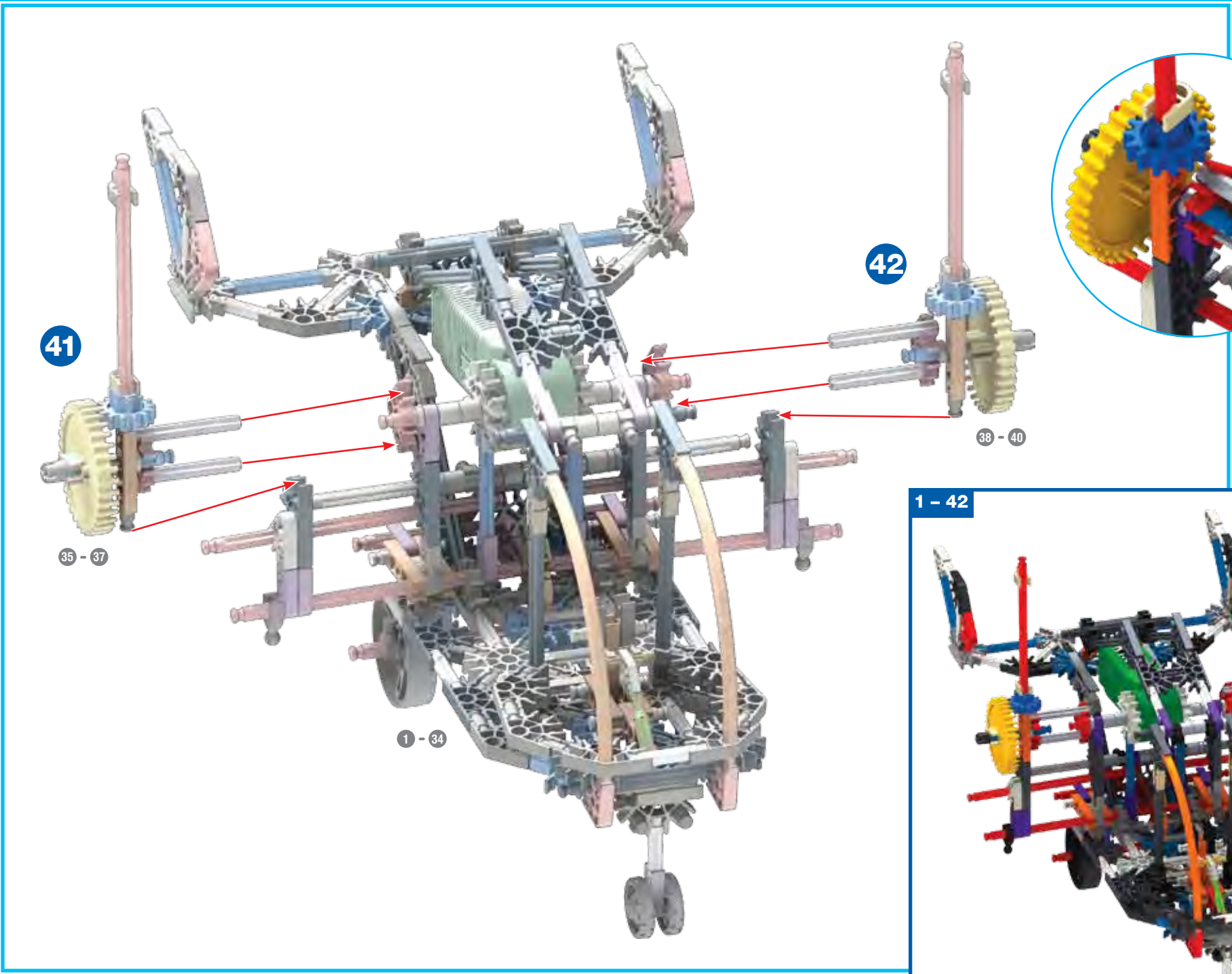


1 - 33

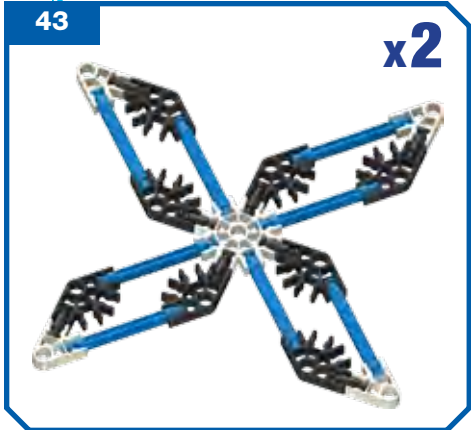
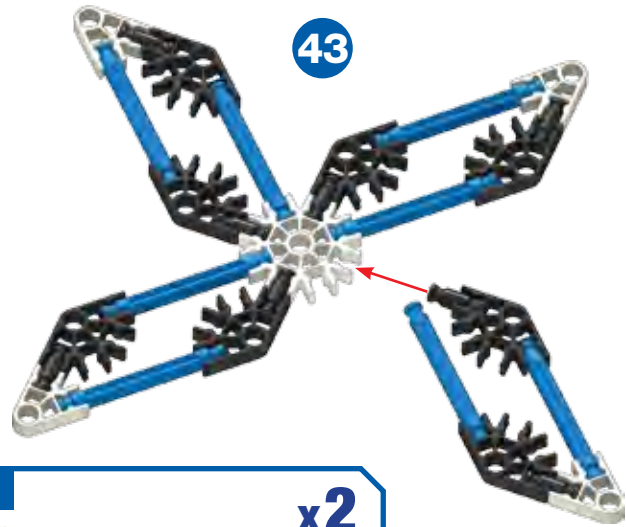
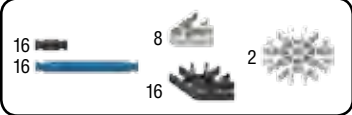




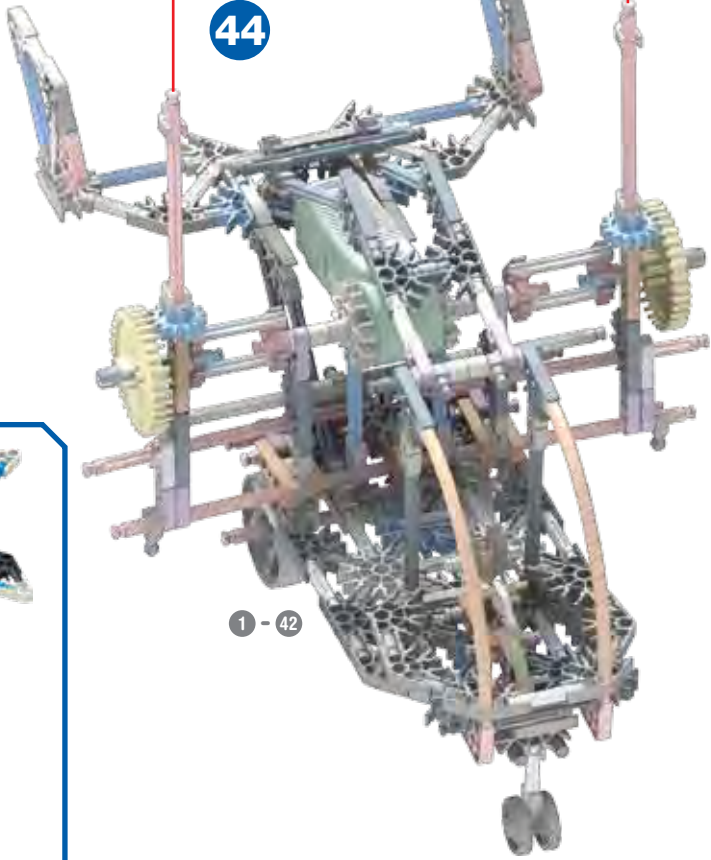
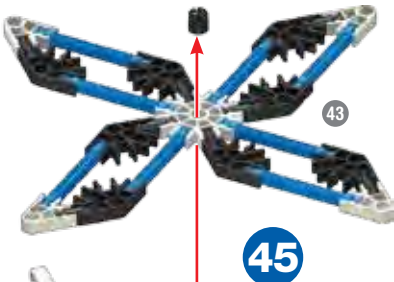
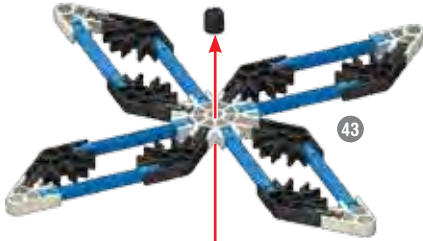




x2



2



1 - 45

