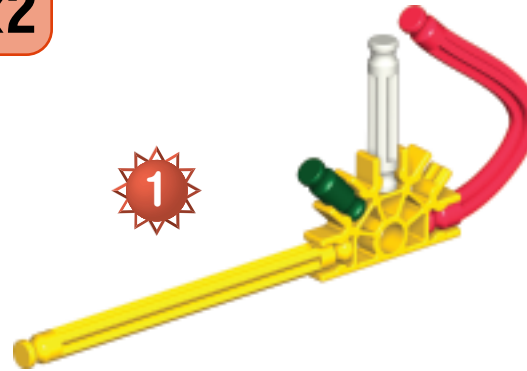


WALKER ROBOT

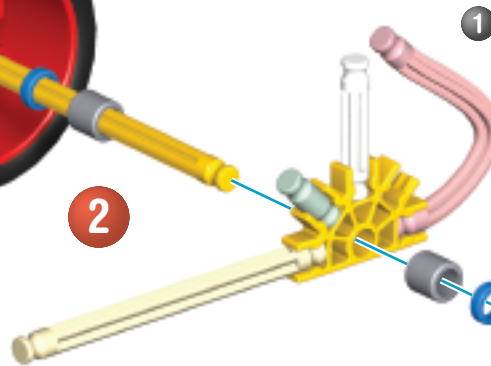


x2

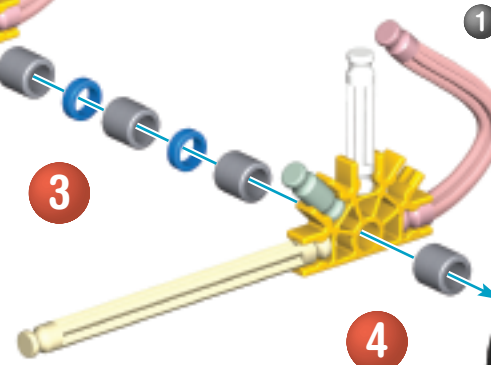
1



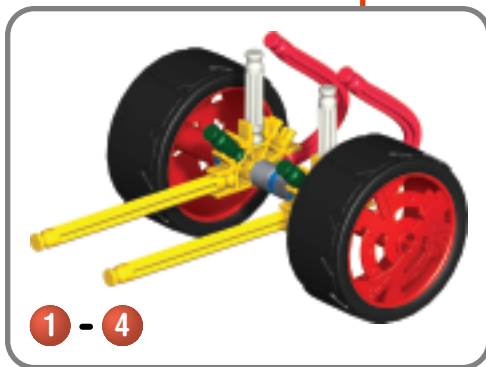
2



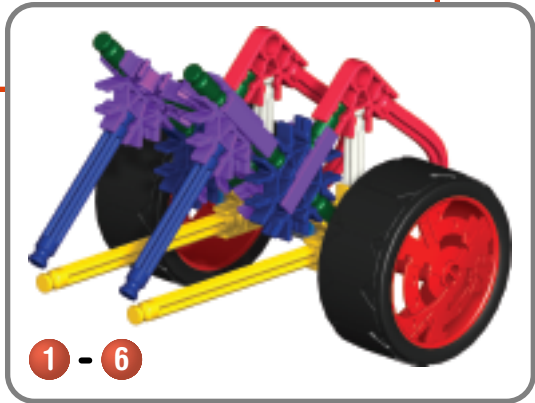
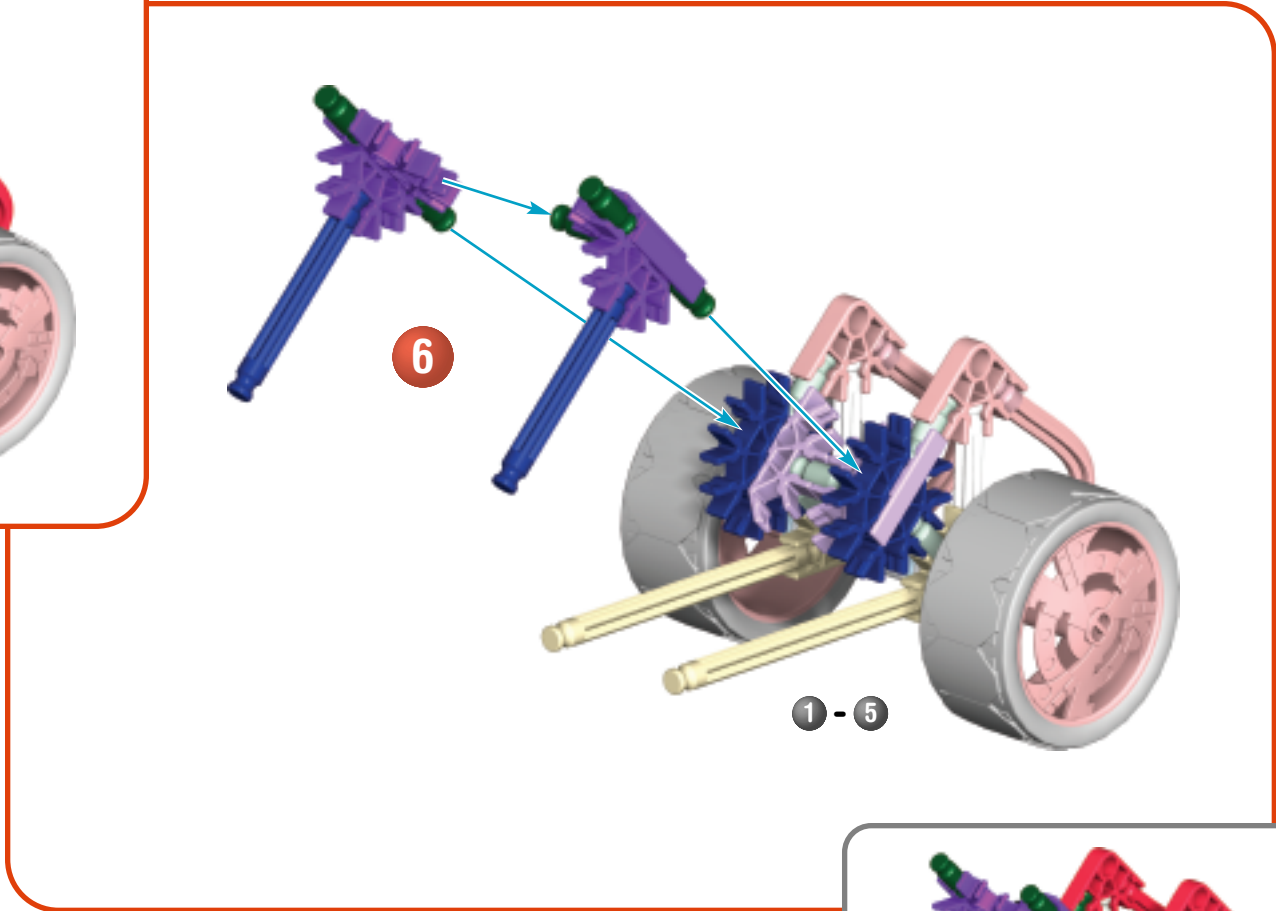
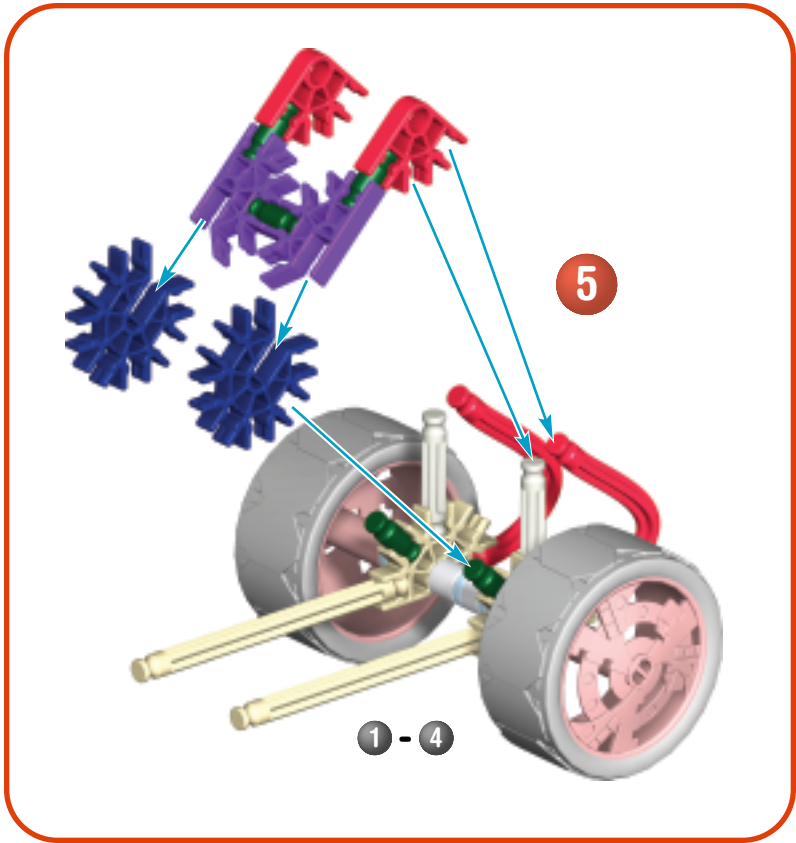
3

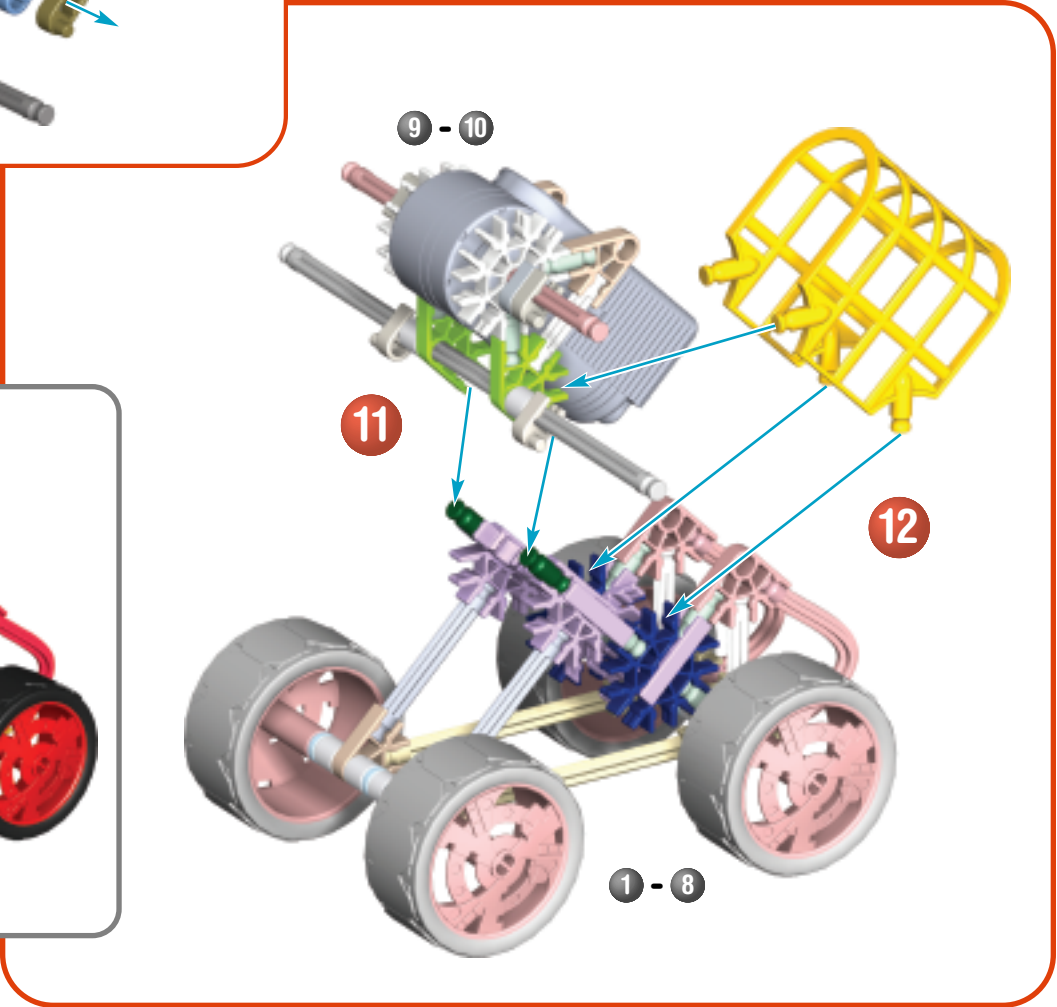
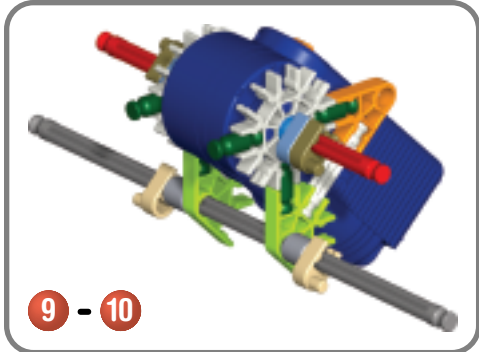
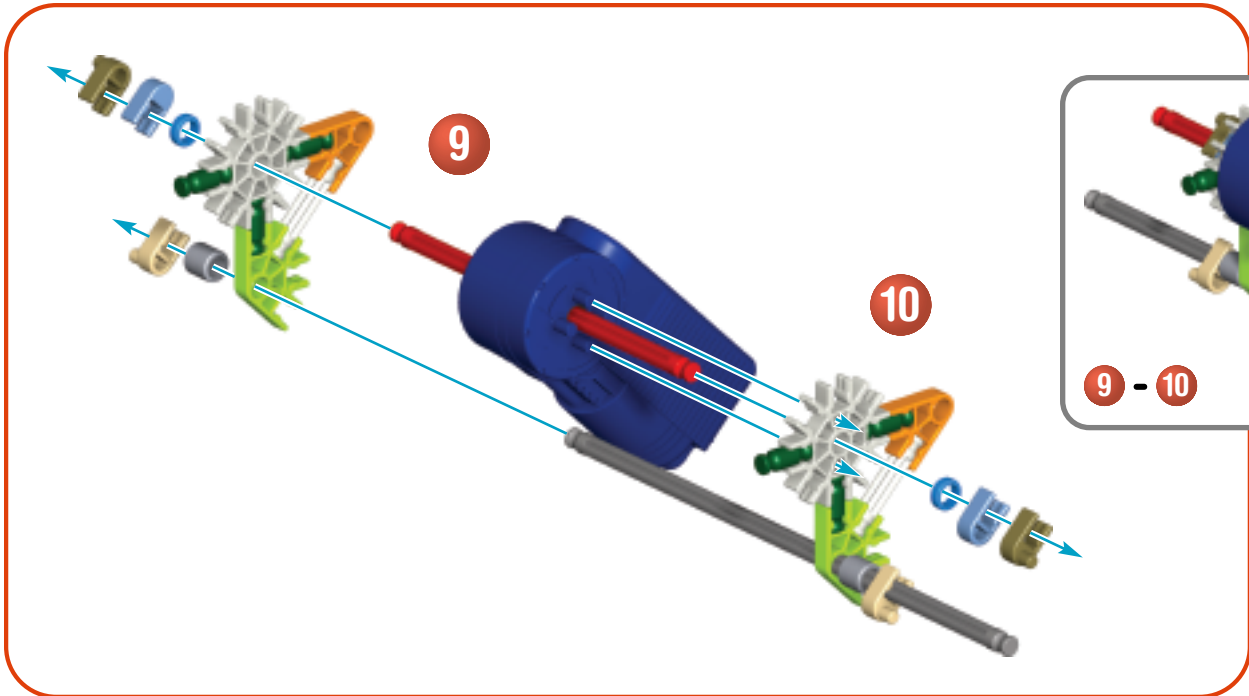


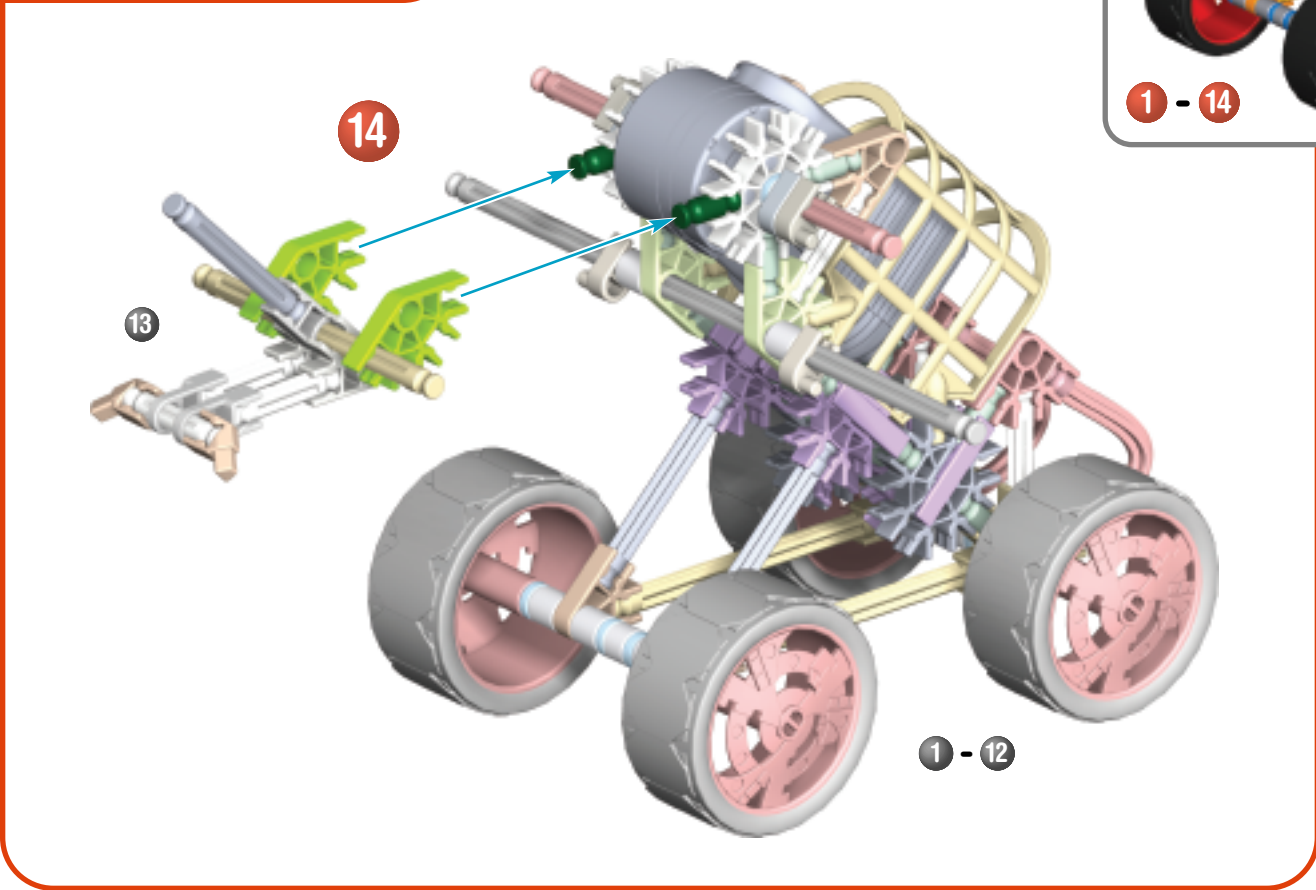
4

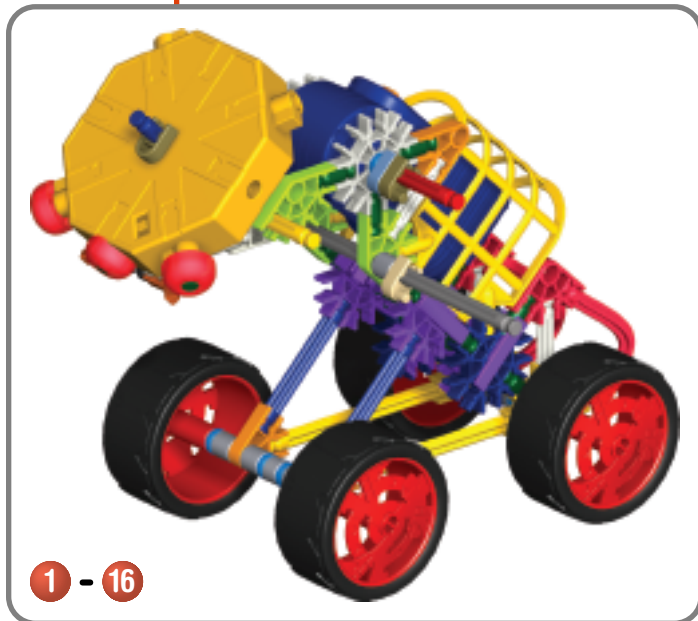
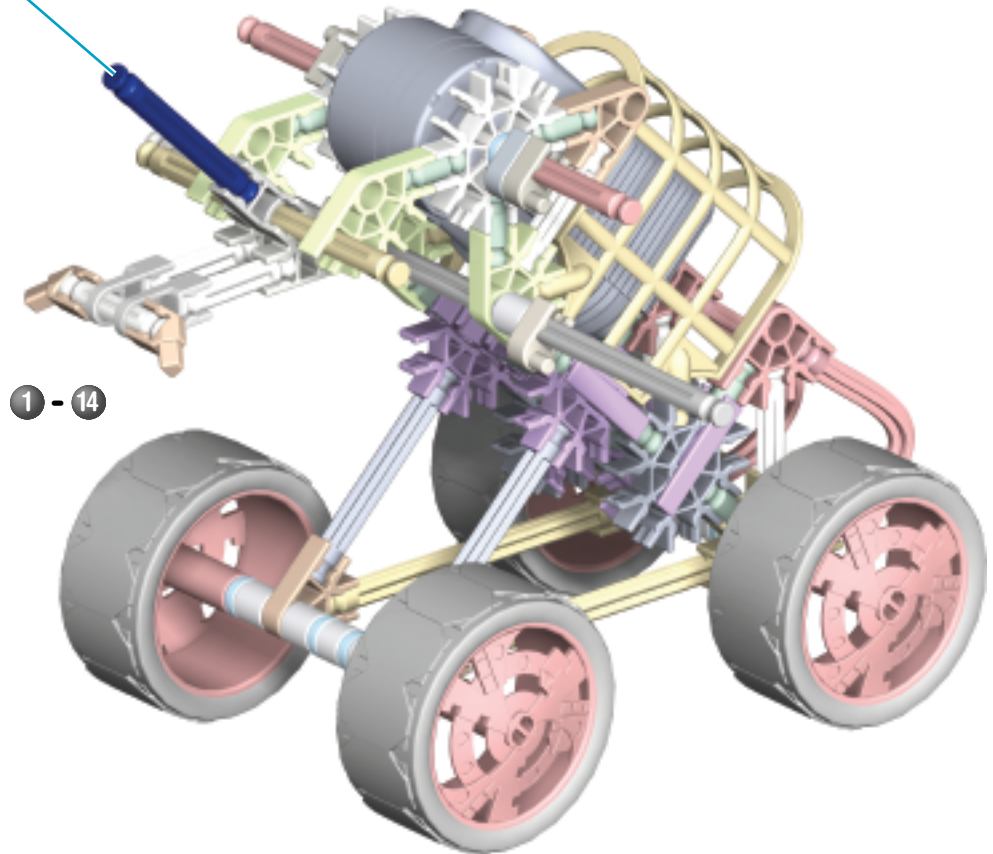
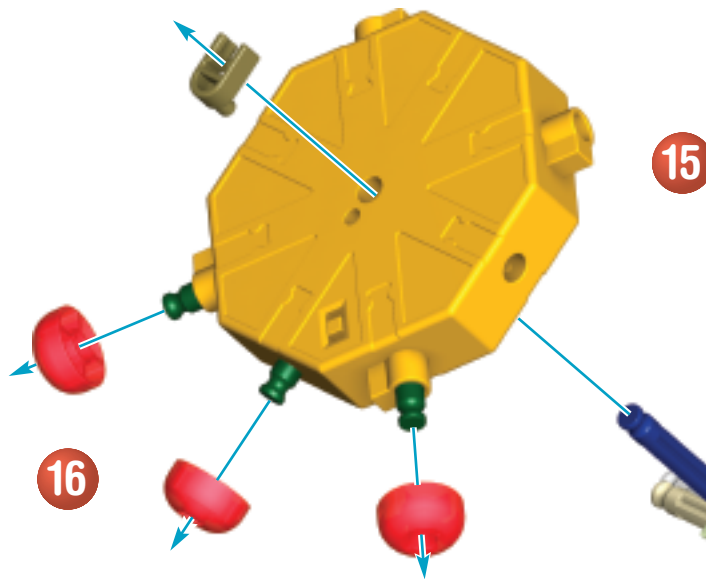


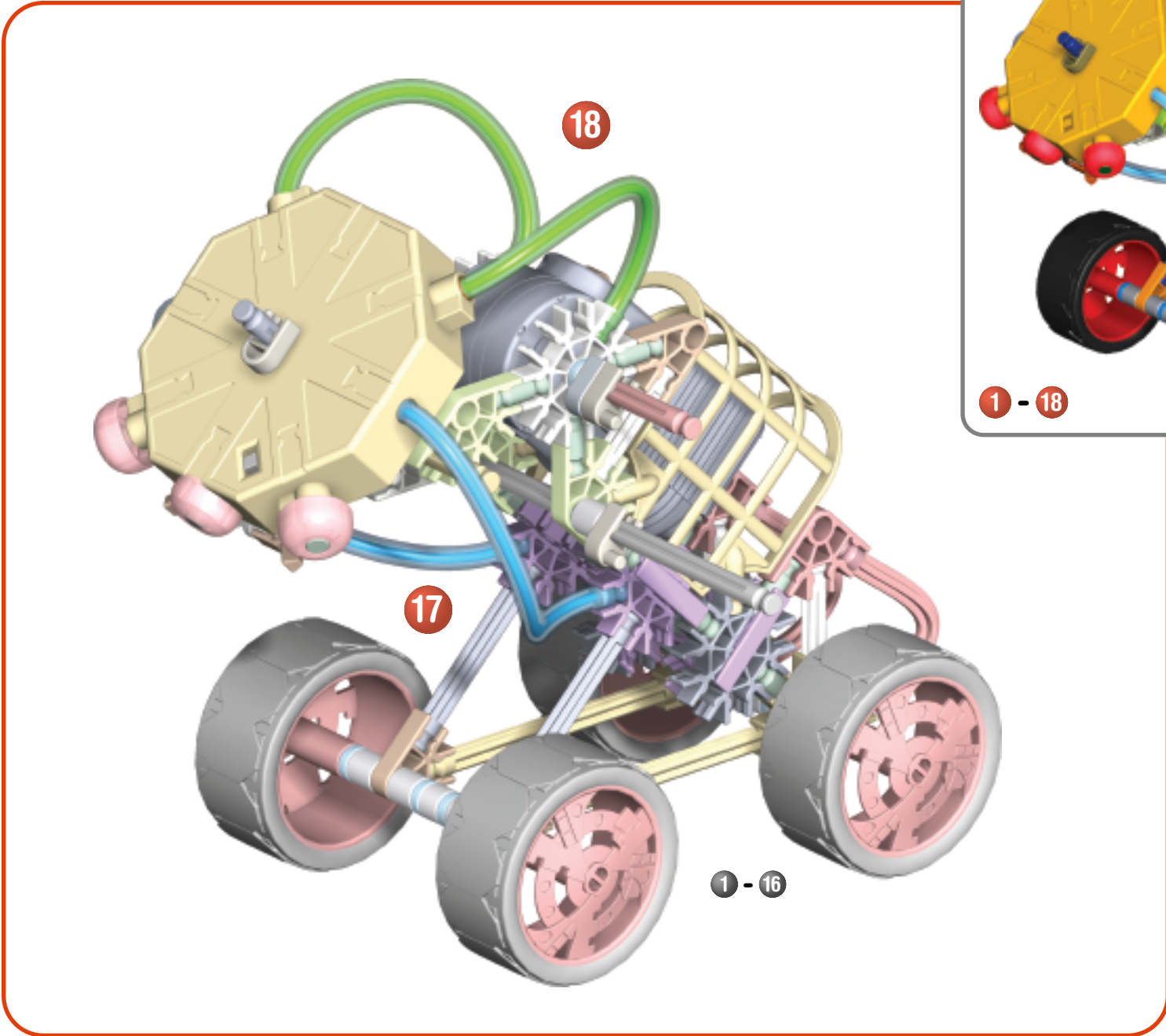
1 - 4

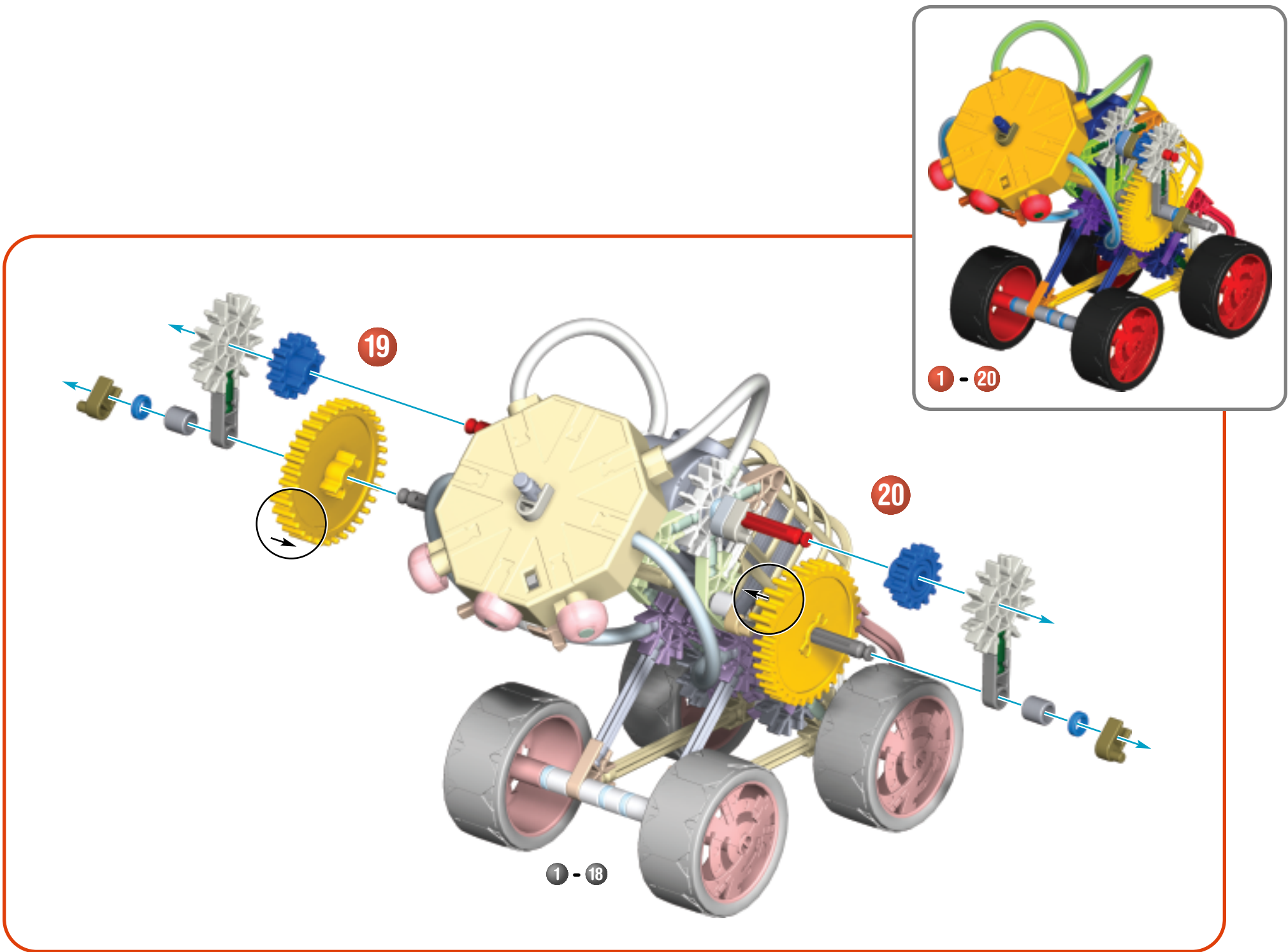






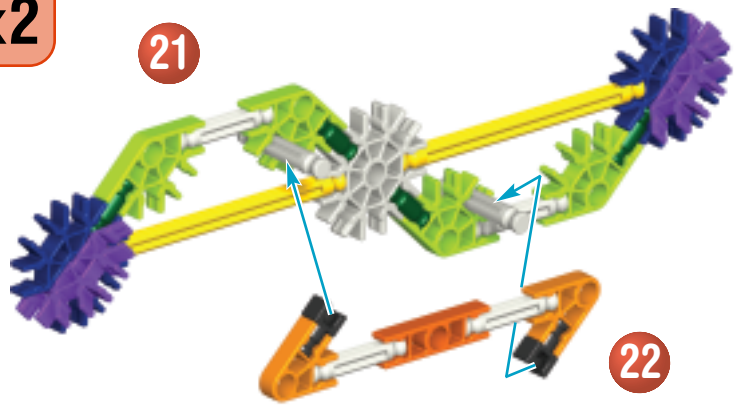




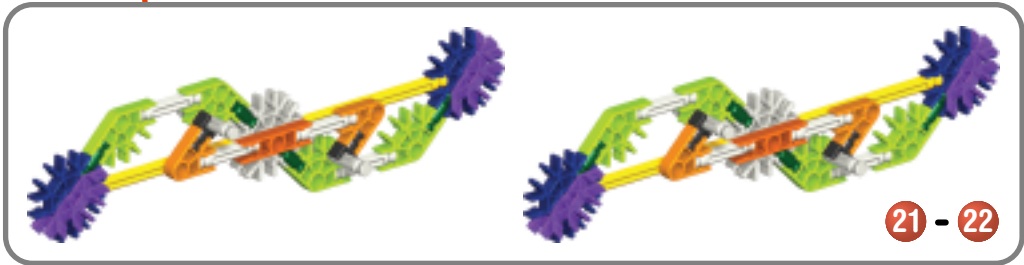


x2

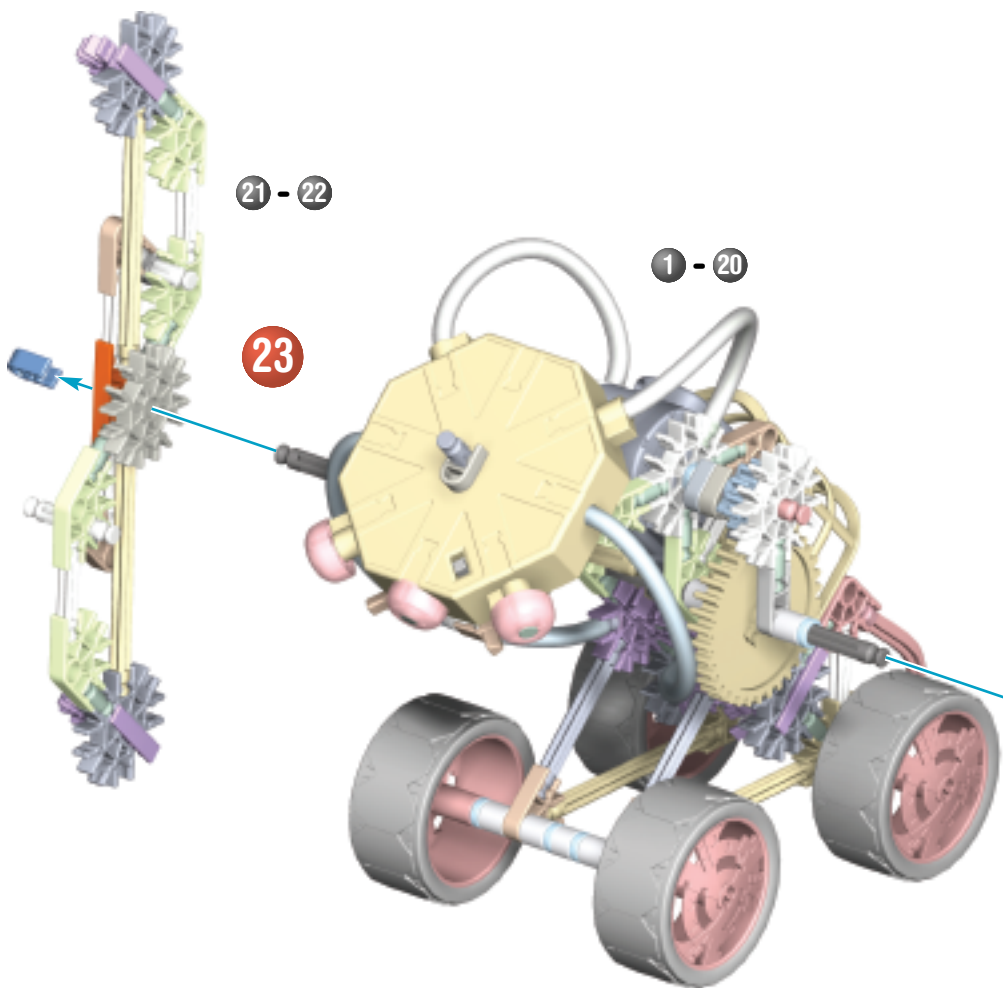
21



22



21 - 22



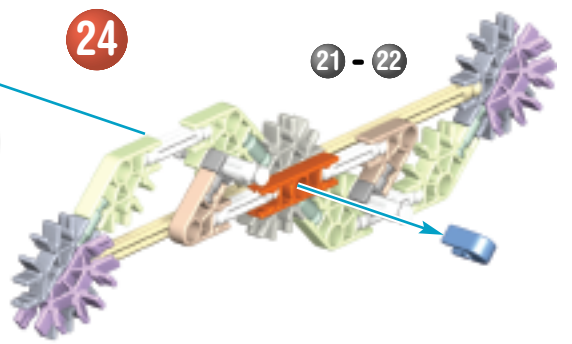
21 - 22

1 - 20

23



1 - 24



24

21 - 22