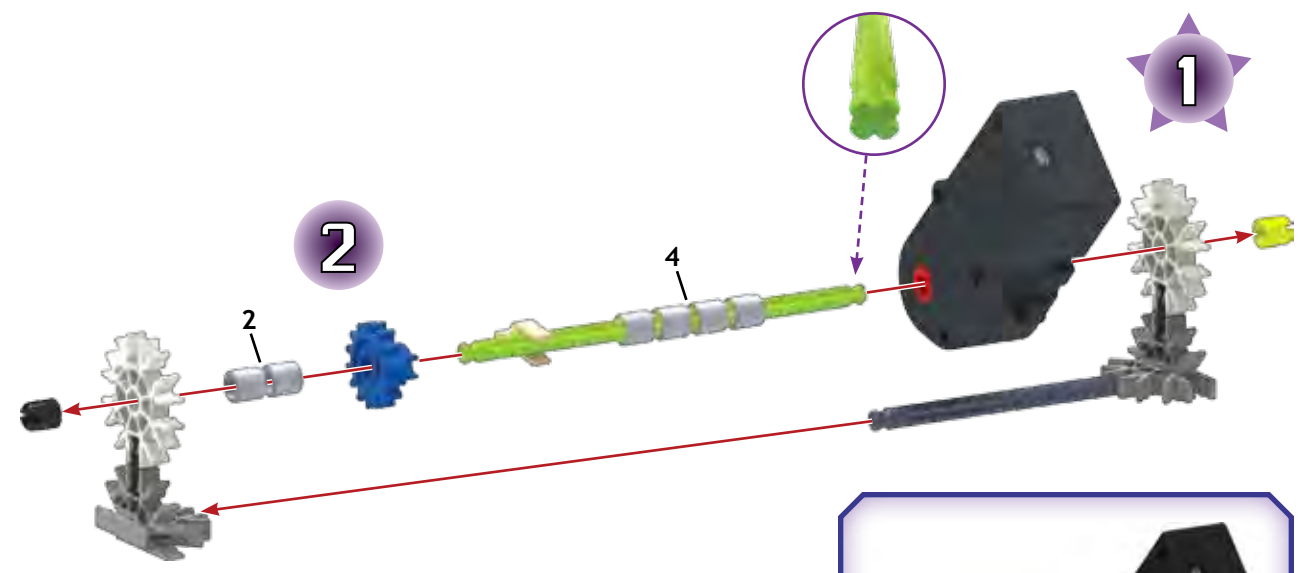
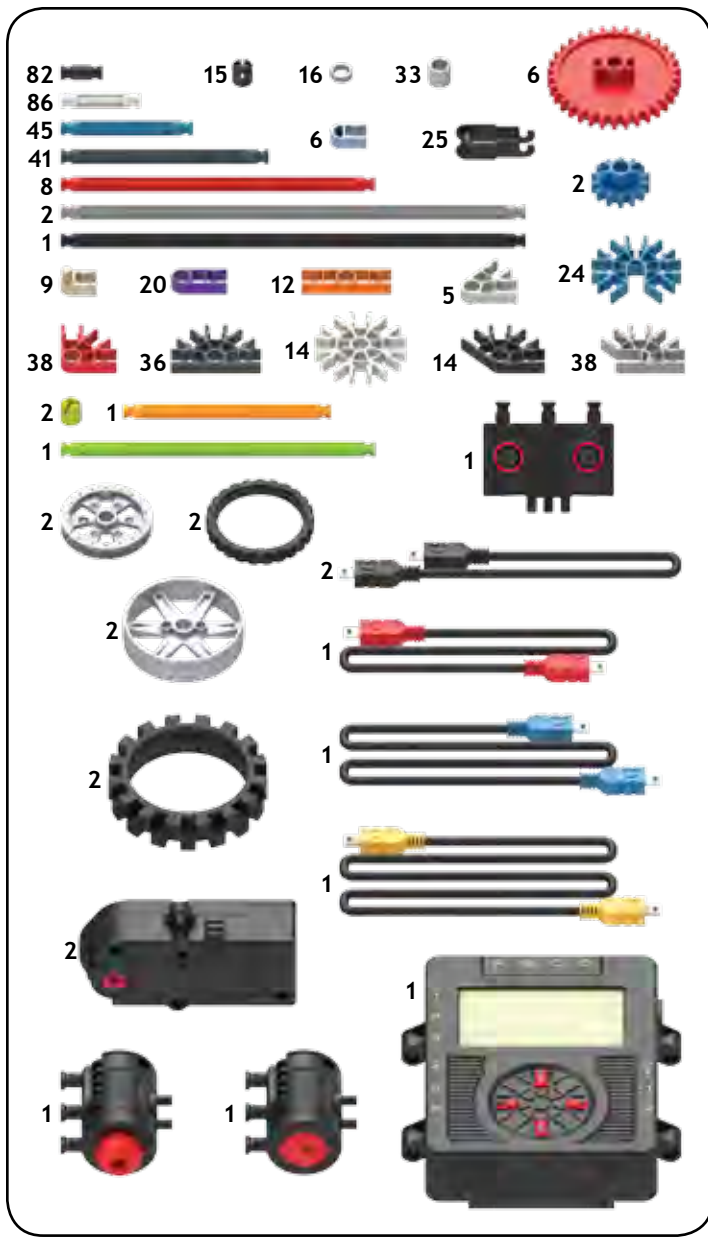
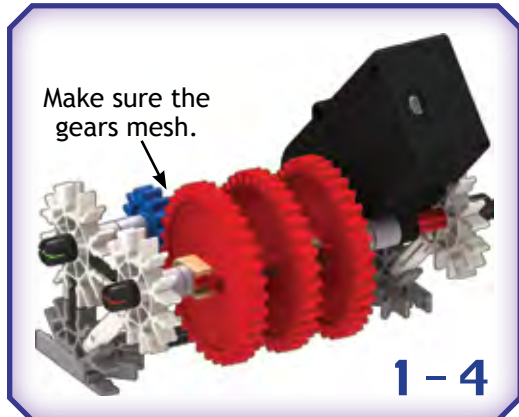
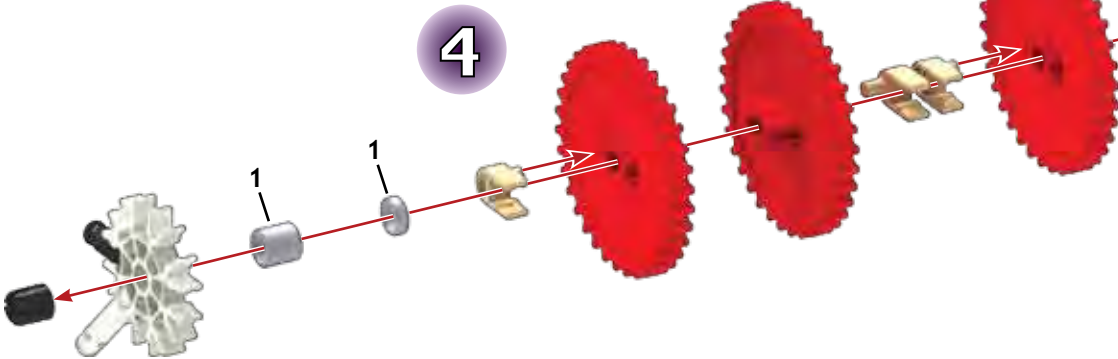
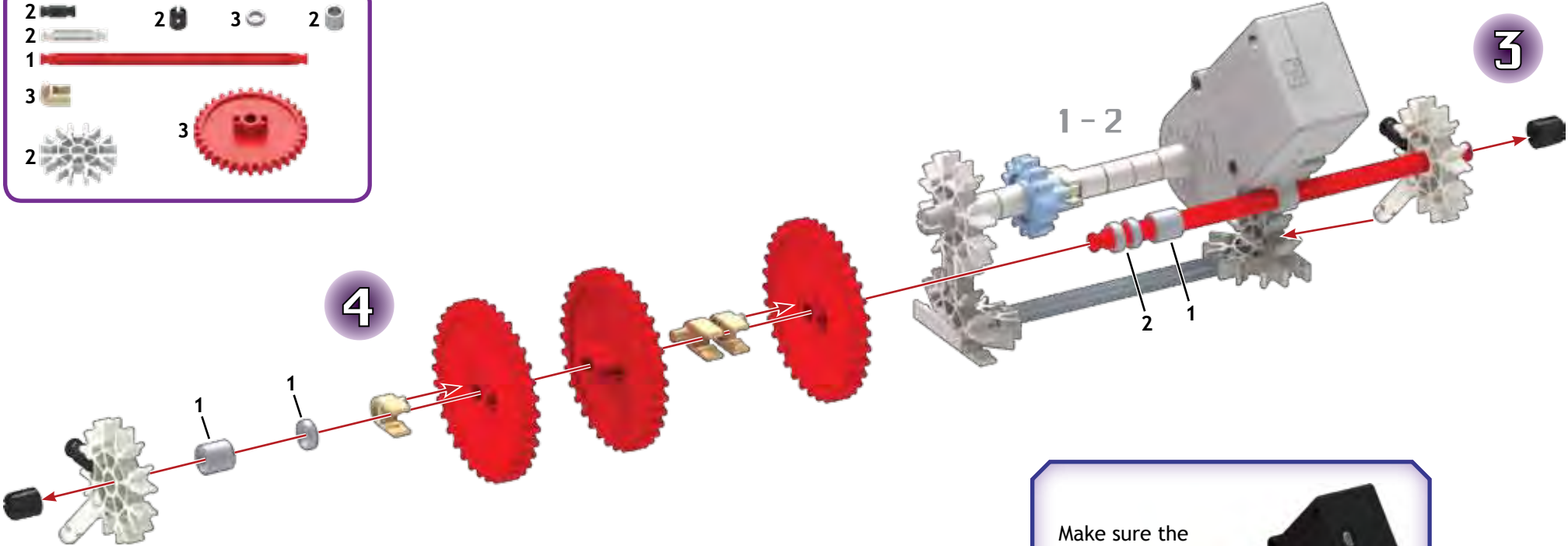
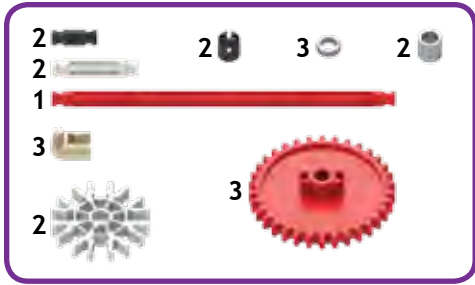
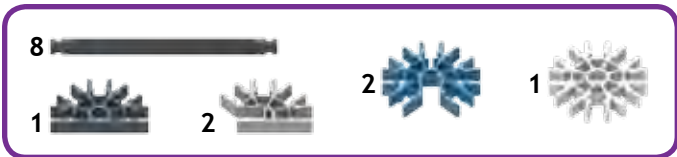
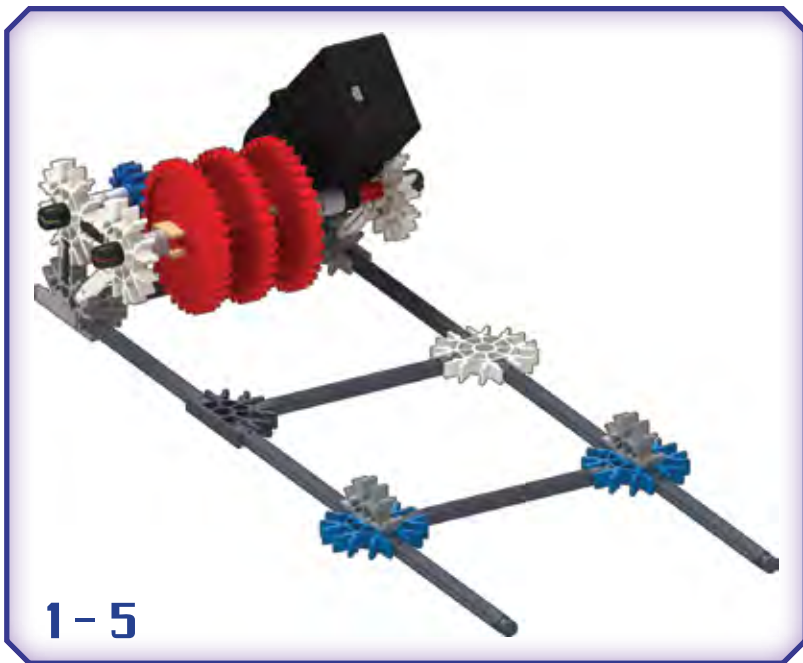
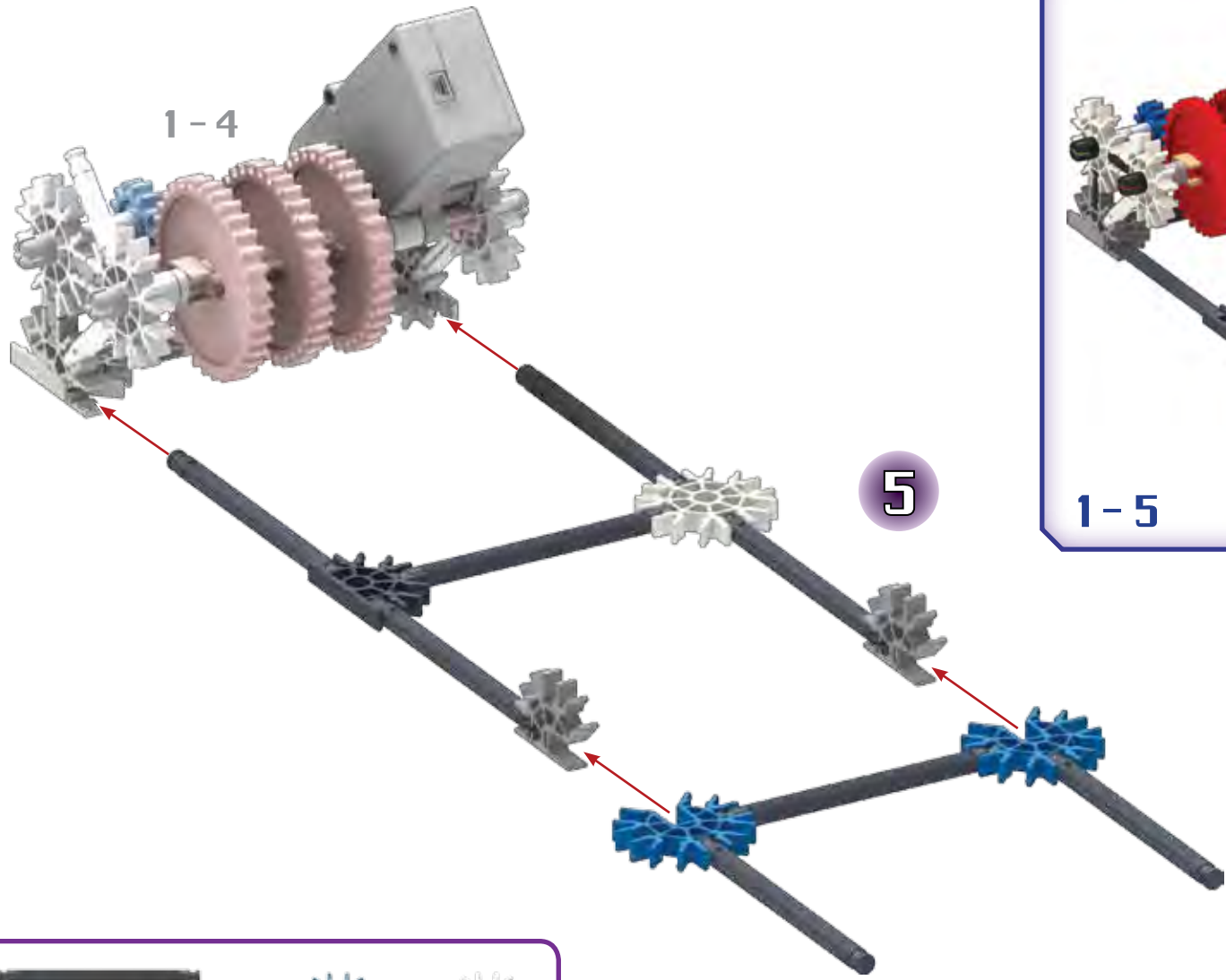


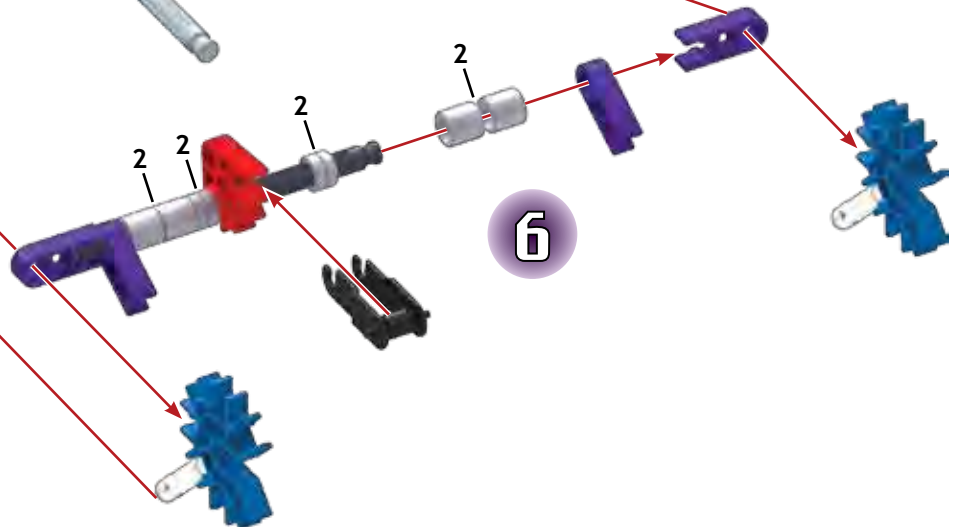
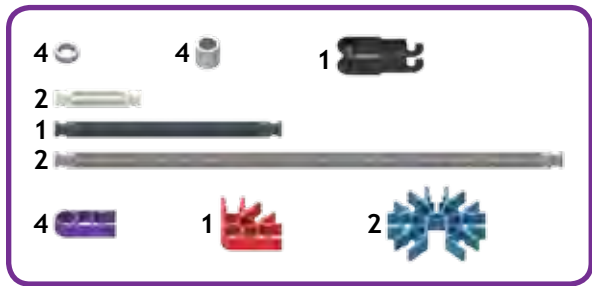
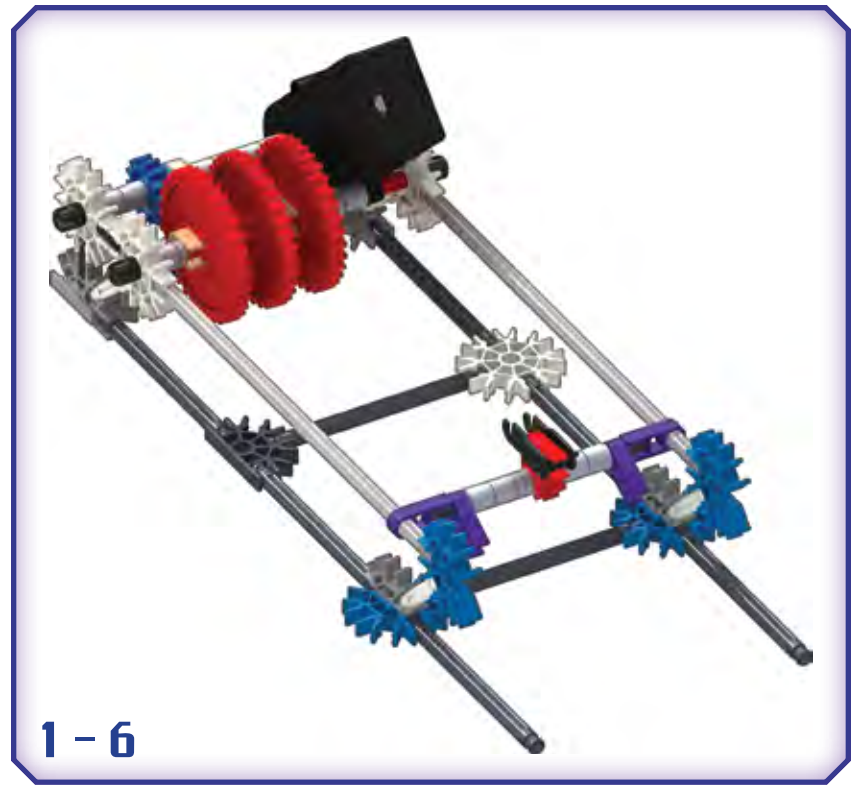
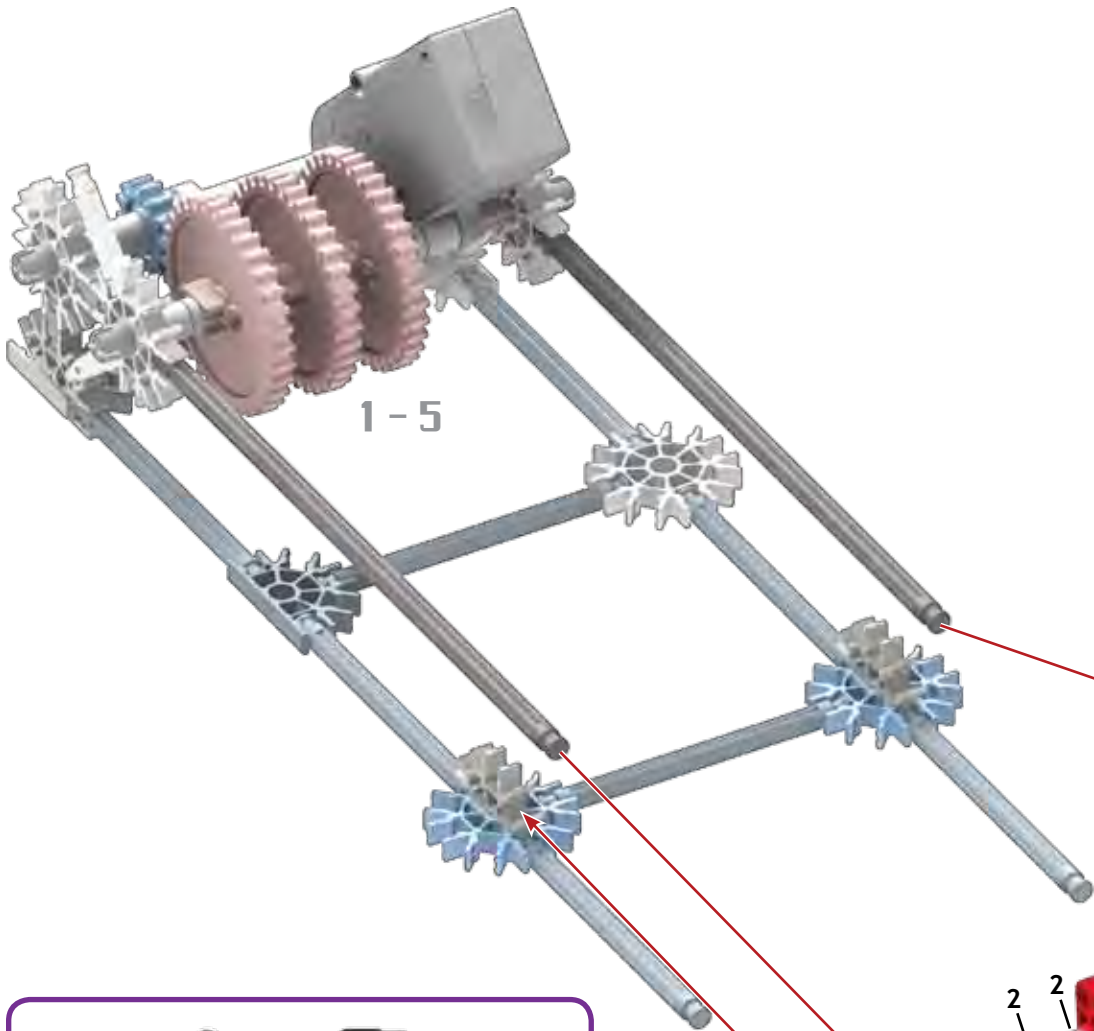
# AIRPLANE










When you see this icon, head to [www.knex.com/instructions](http://www.knex.com/instructions) and enter code **79100** for helpful building tip videos.

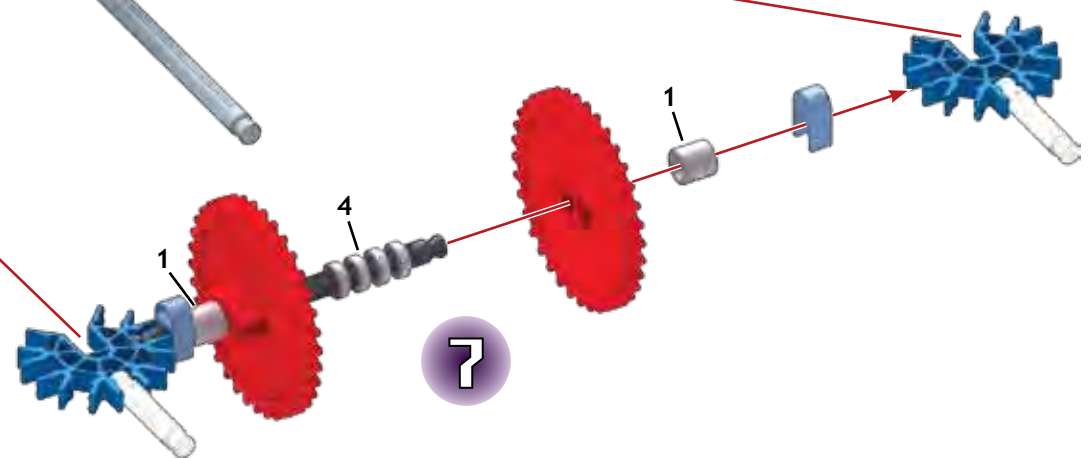
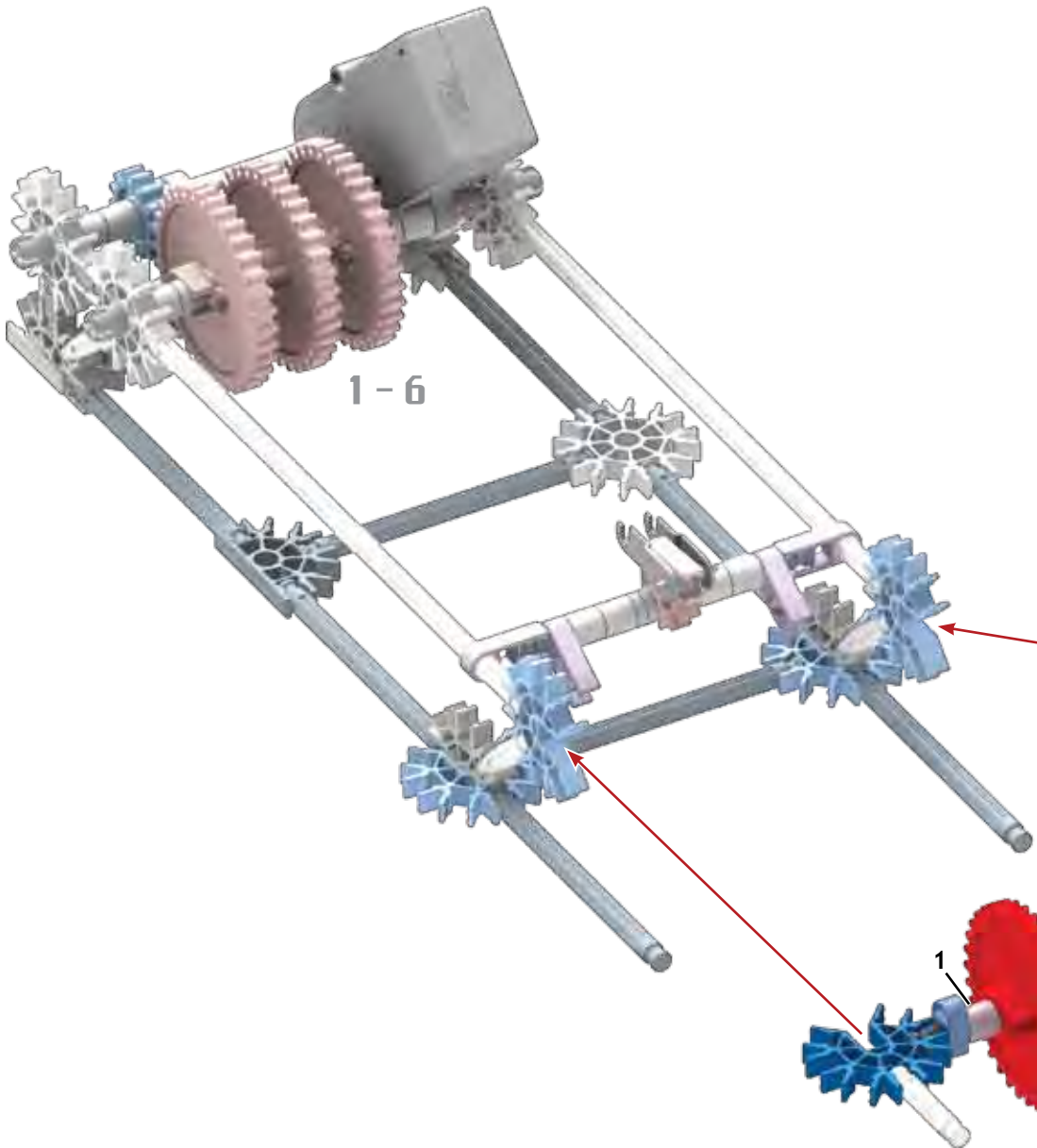
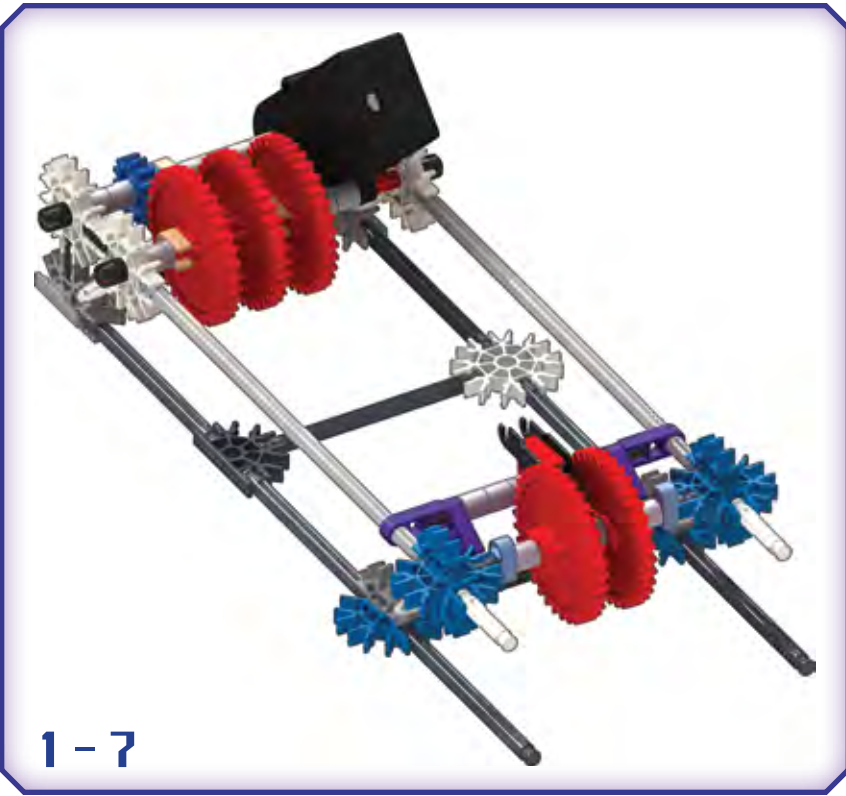








- |   |   |   |   |   |  |   |   |
|---|---|---|---|---|--|---|---|
| 2 |   | 4 |   | 2 |  | 2 |  |
| 2 |  | 2 |  |   |  |   |   |
| 1 |  |   |   |   |  |   |   |



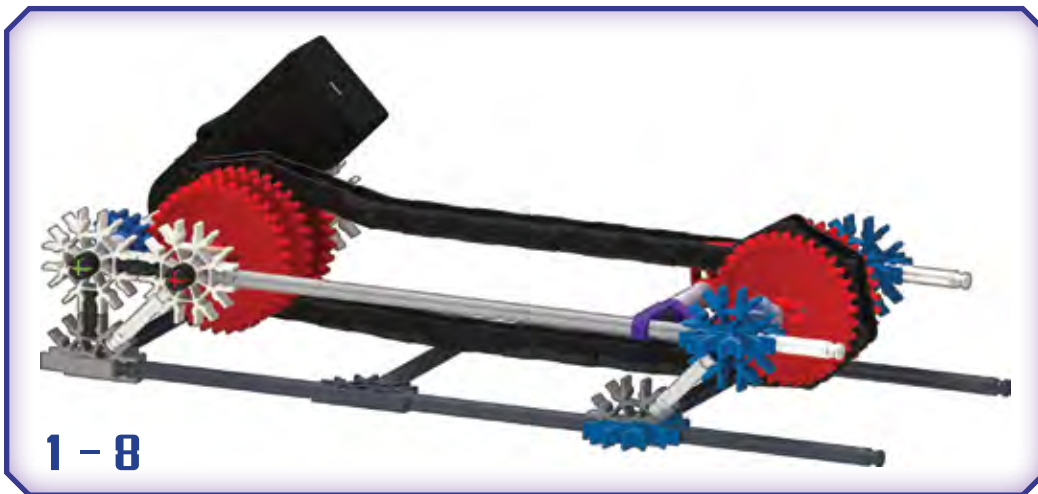
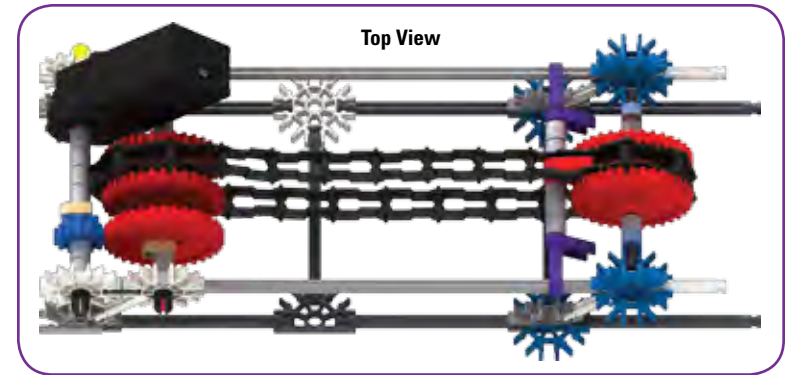
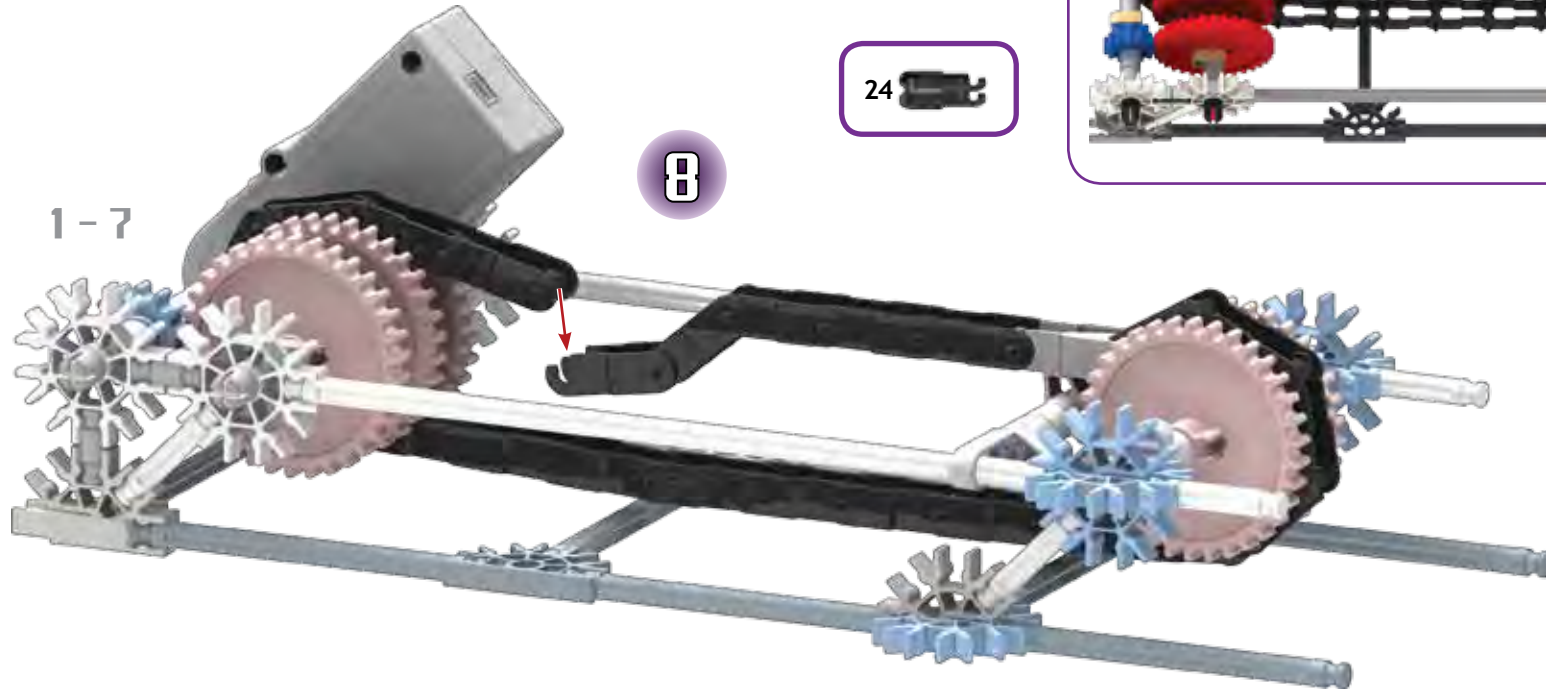
**IMPORTANT:** Attach all the chain links in the same direction.

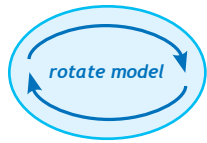


24 

8

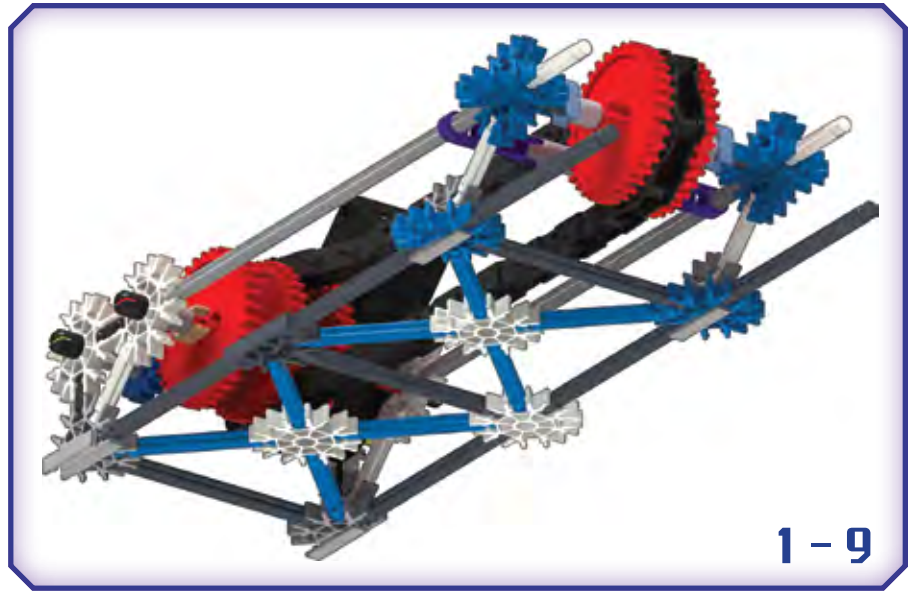
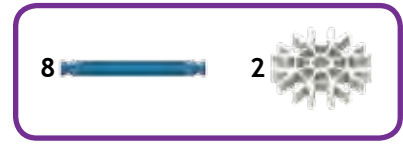
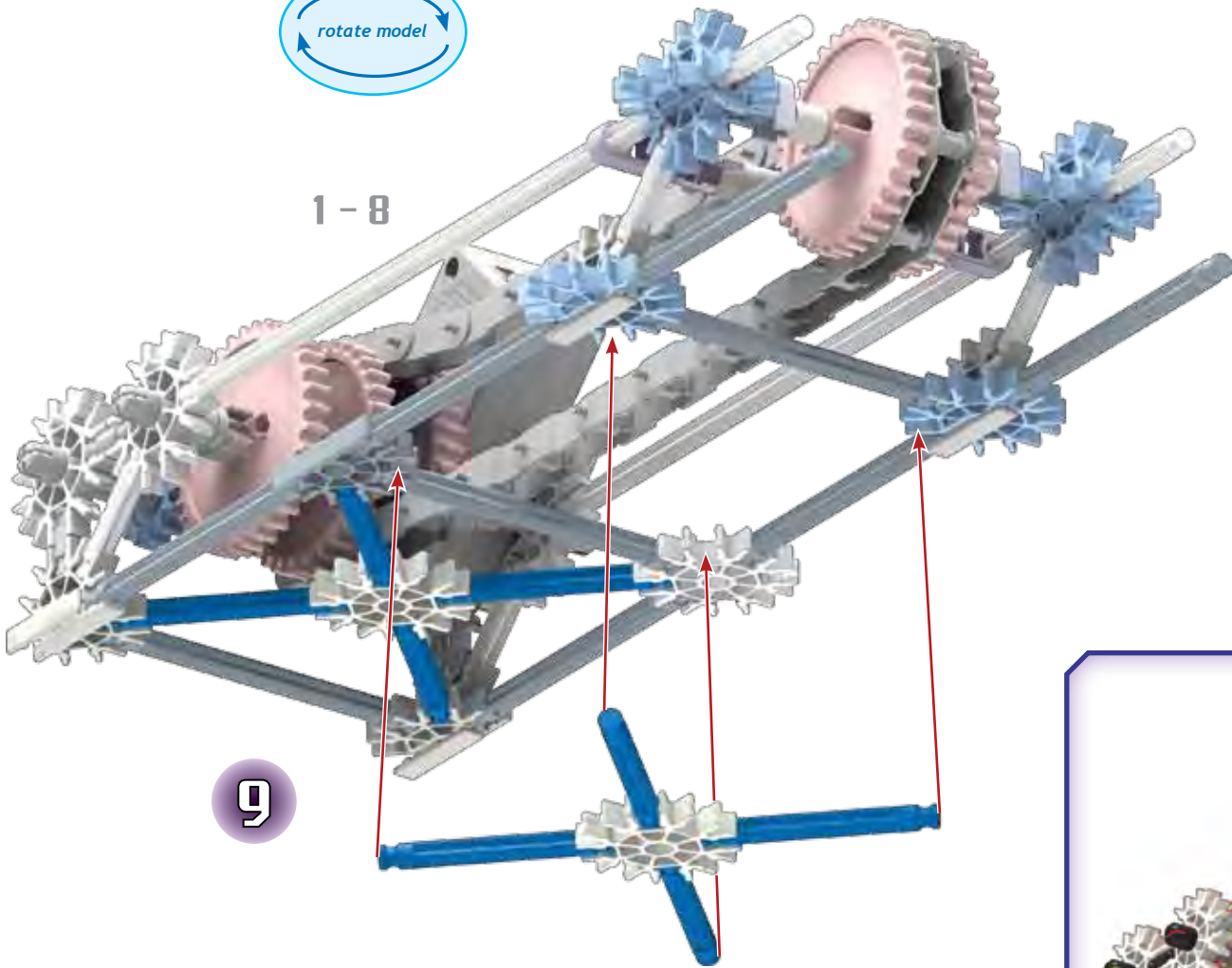
1-7





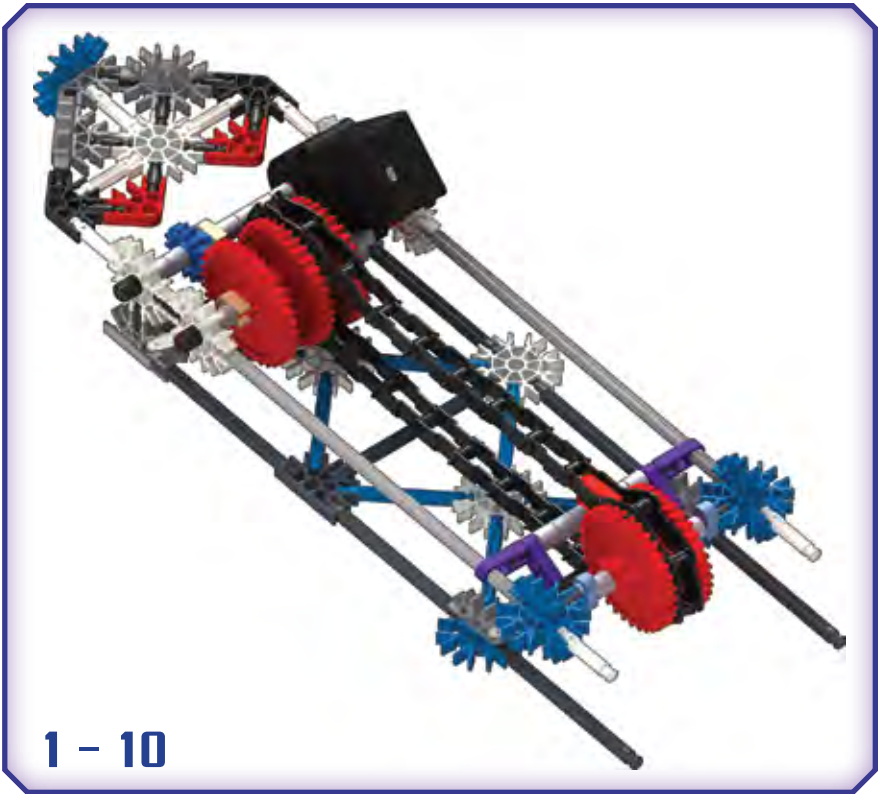
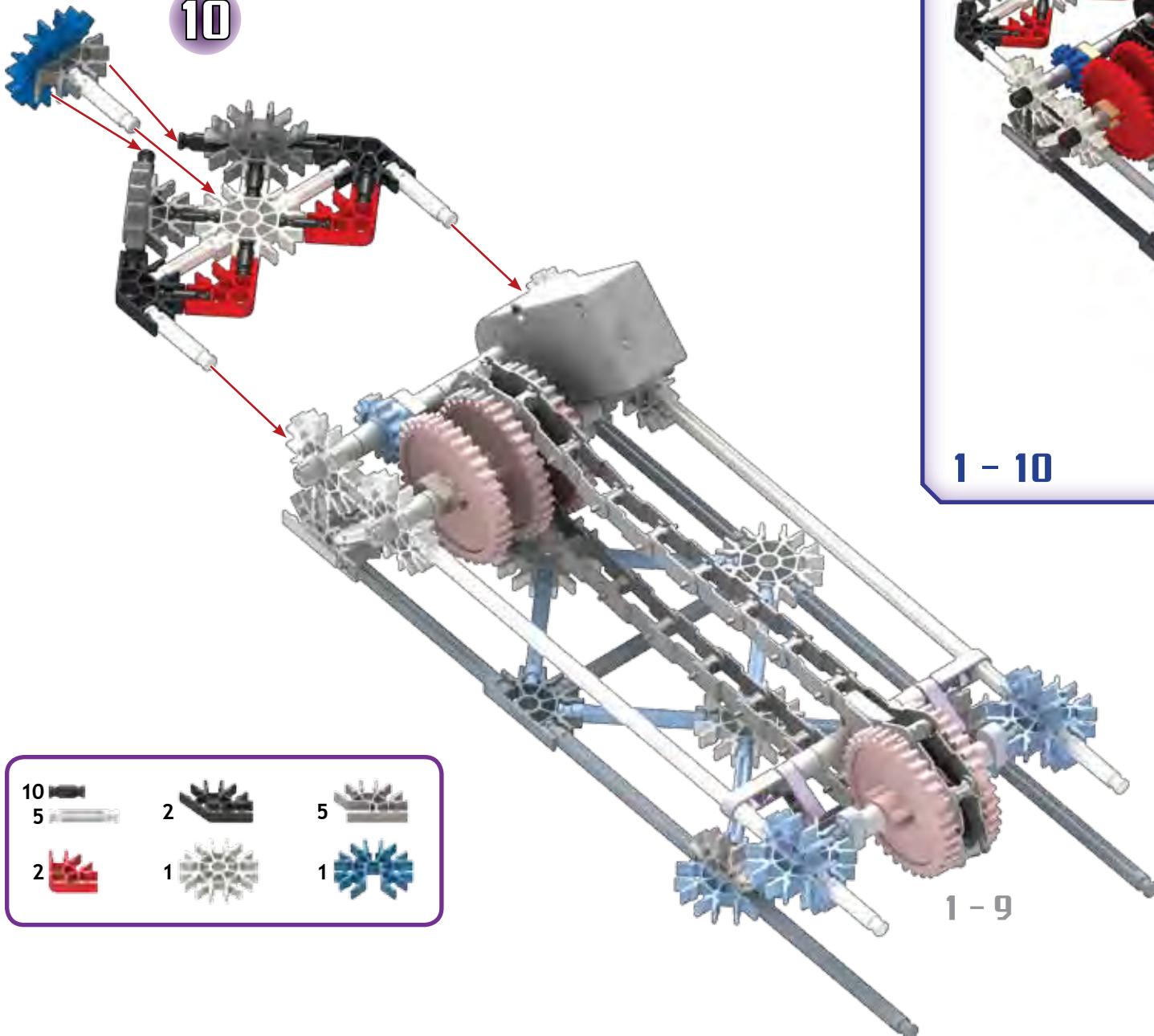
1 - 8

9





10



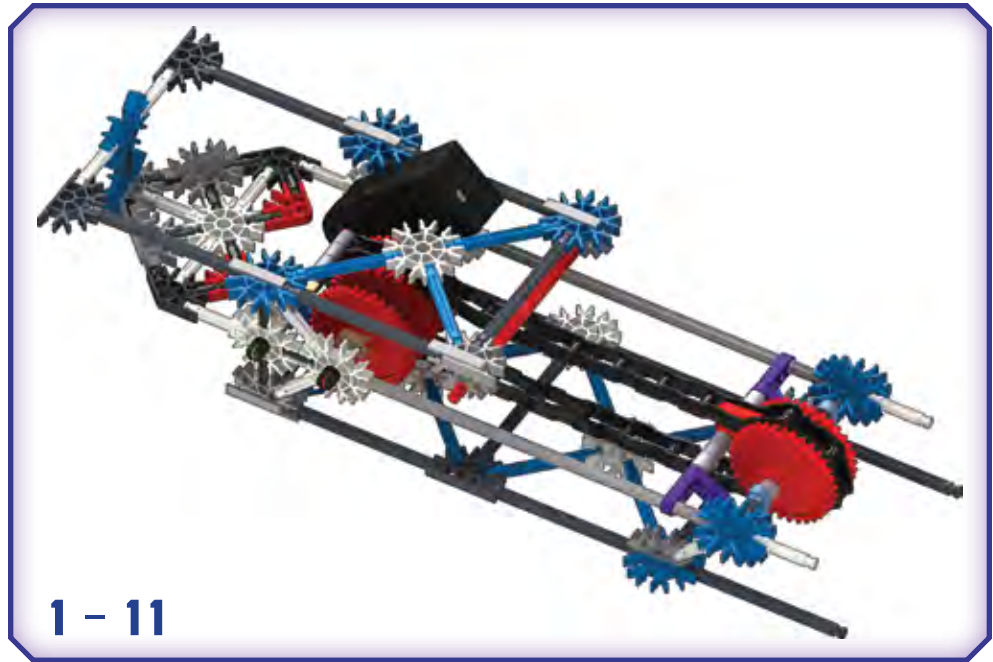
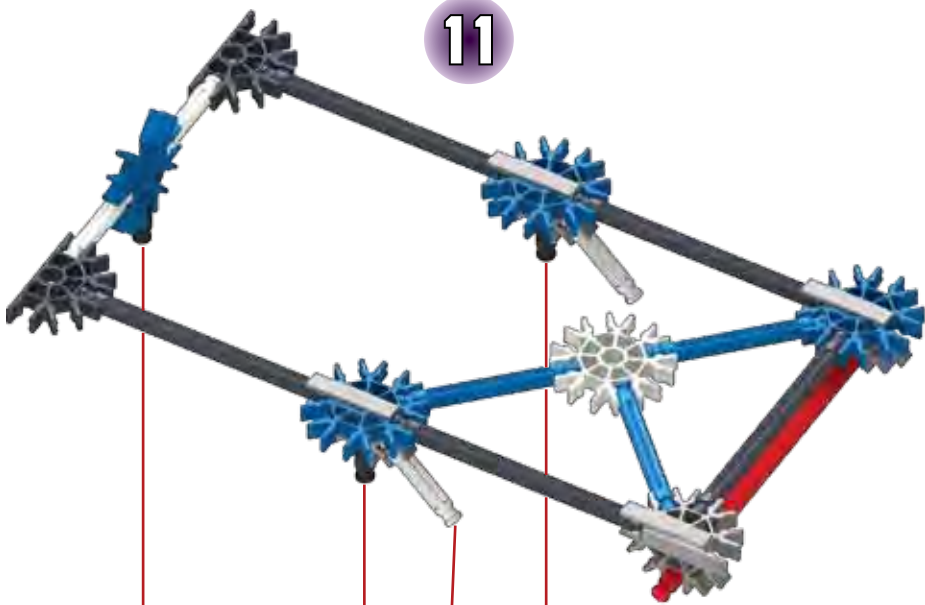
1 - 10

- |    |  |   |  |   |  |
|----|--|---|--|---|--|
| 10 |  | 2 |  | 5 |  |
| 5  |  |   |  |   |  |
| 2  |  | 1 |  | 1 |  |

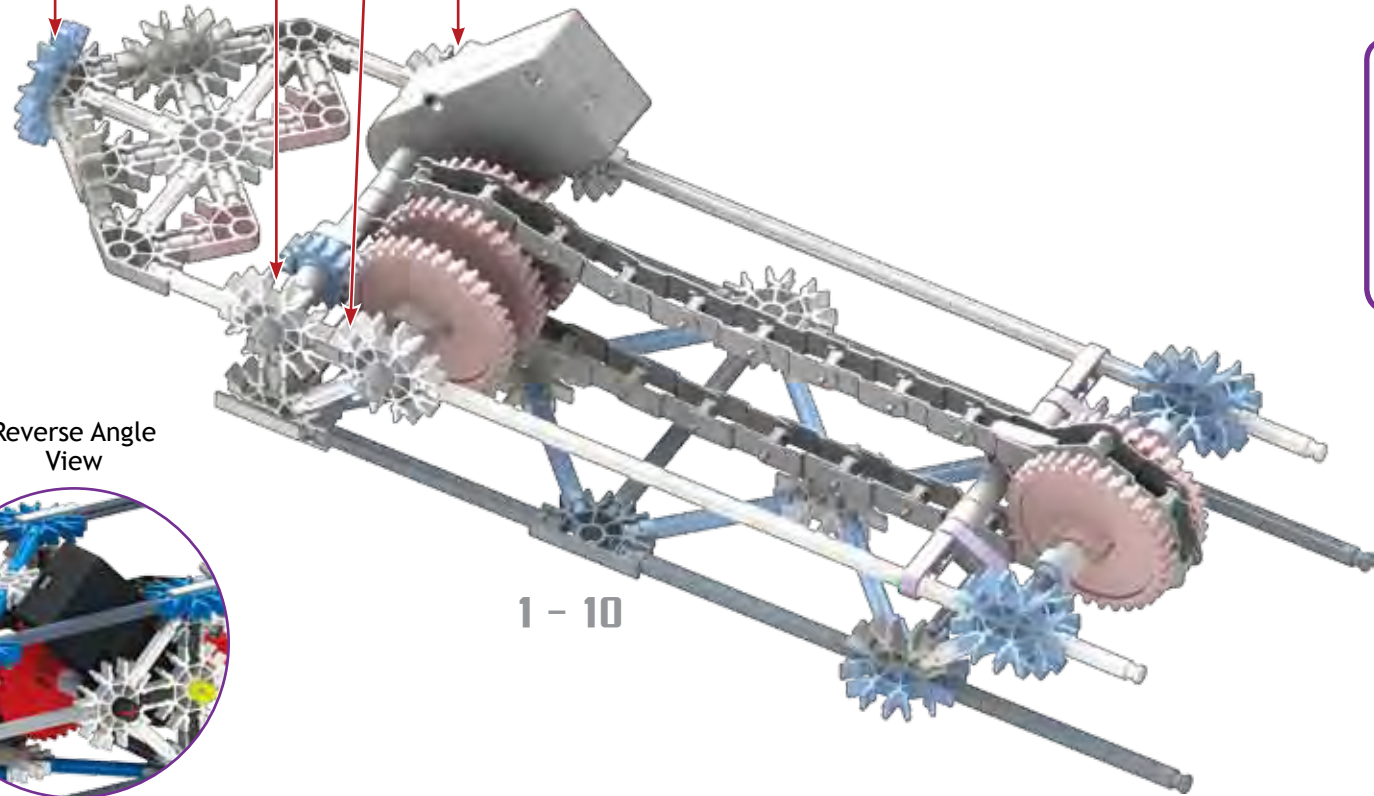
1 - 9



11

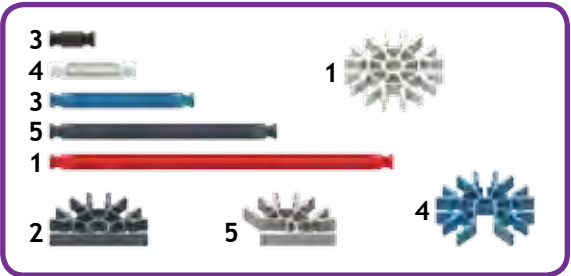


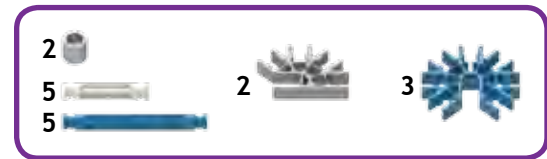
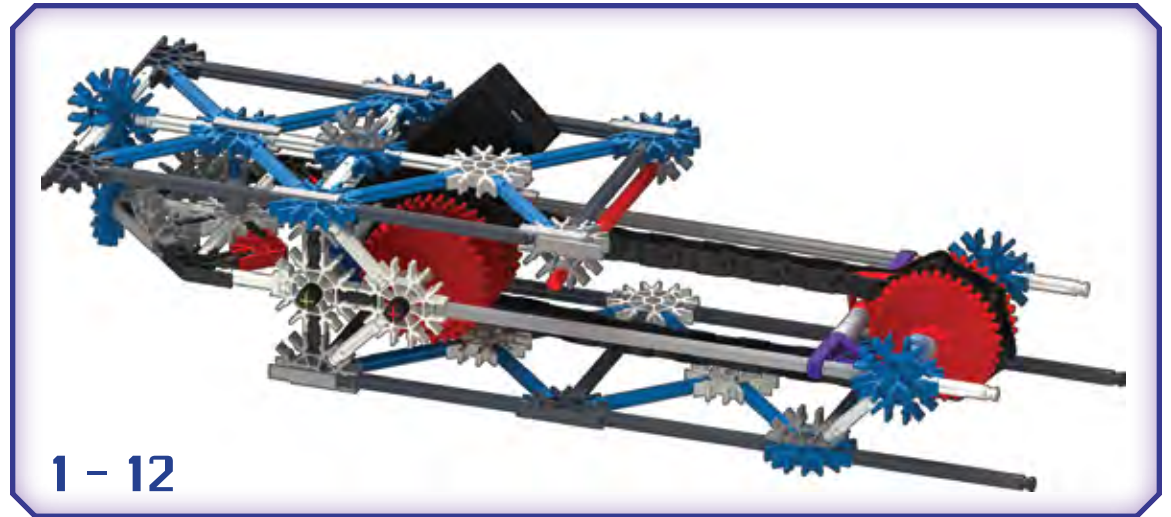
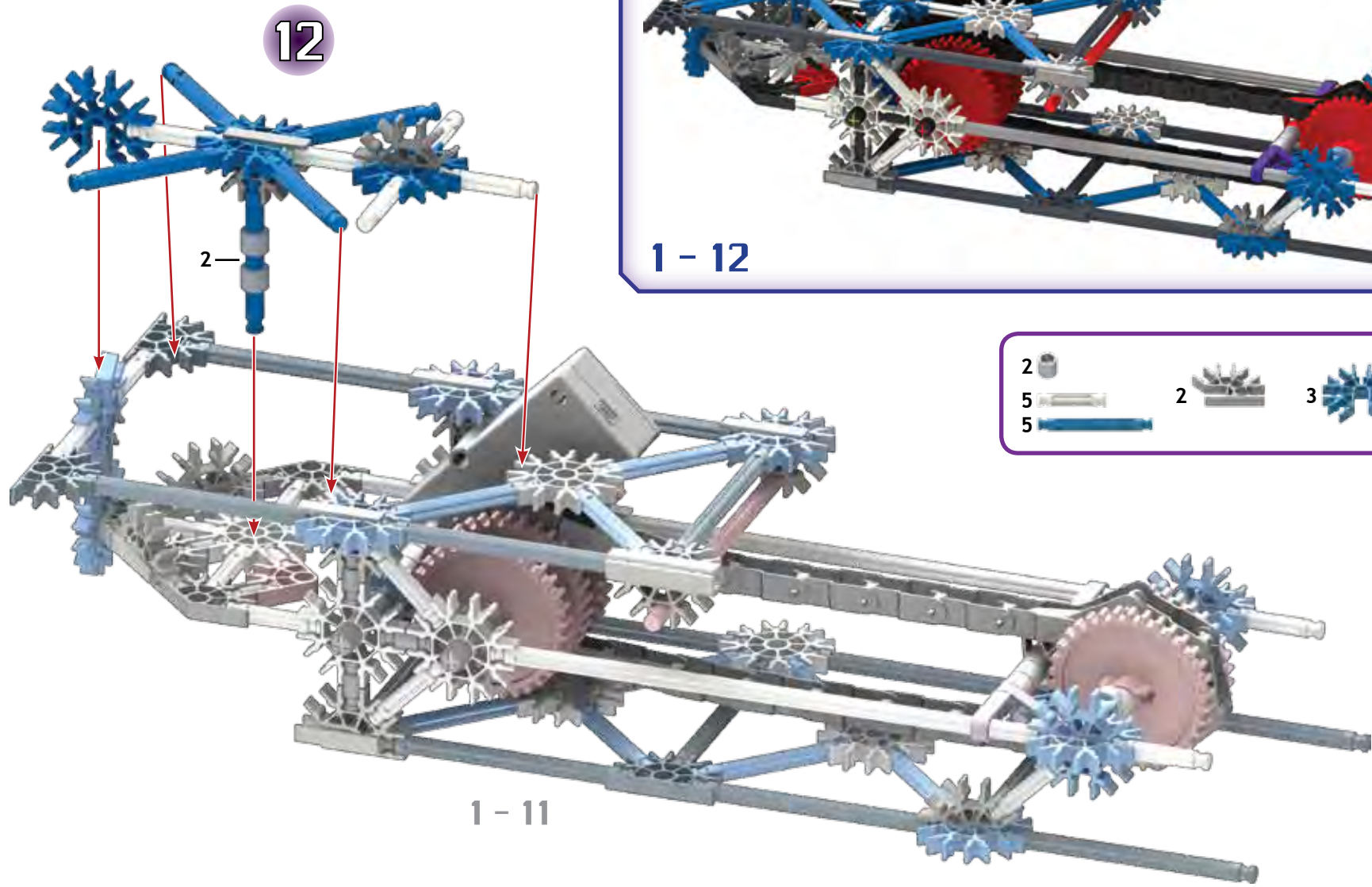
1 - 11



1 - 10

Reverse Angle View







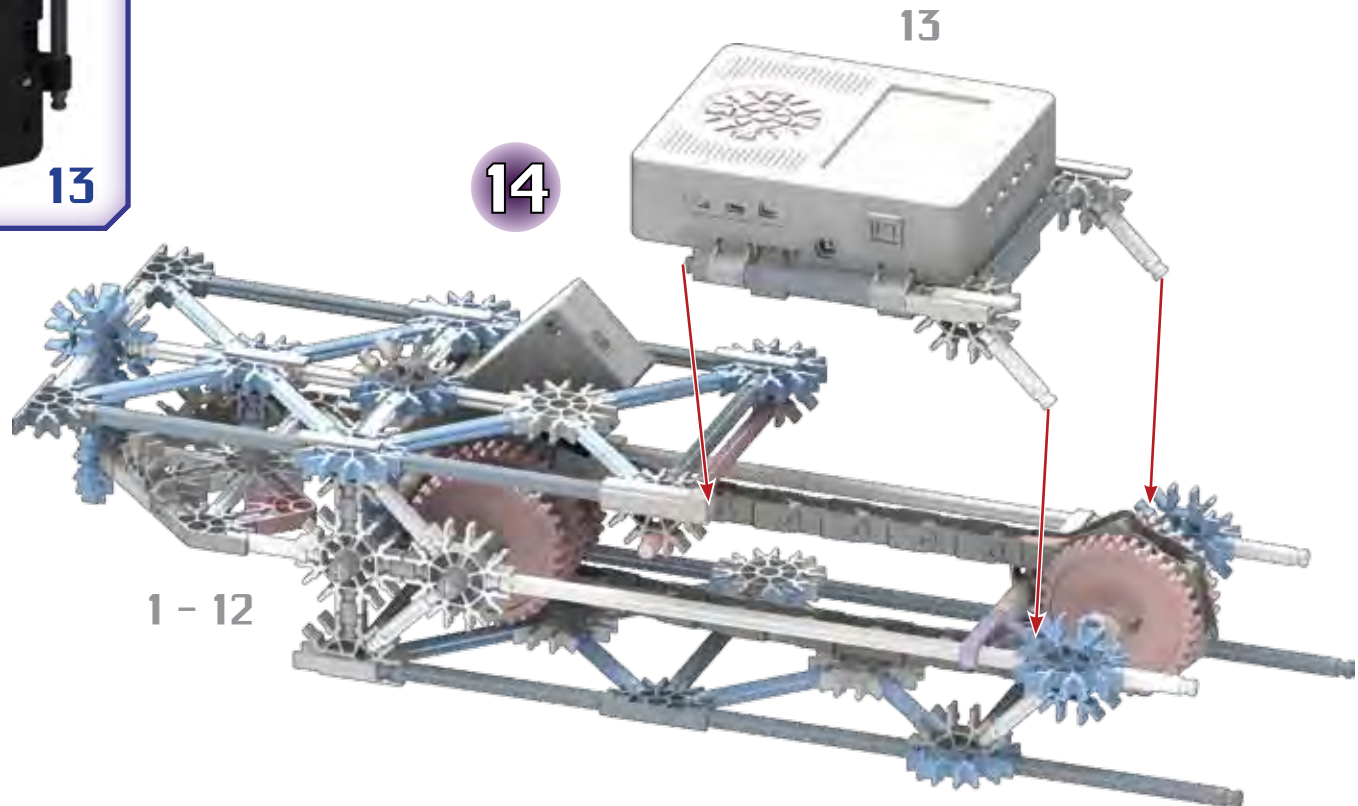


Did you install  
6 AA (or LR6)  
batteries in  
the Control  
Box?

11 AIRPLANE

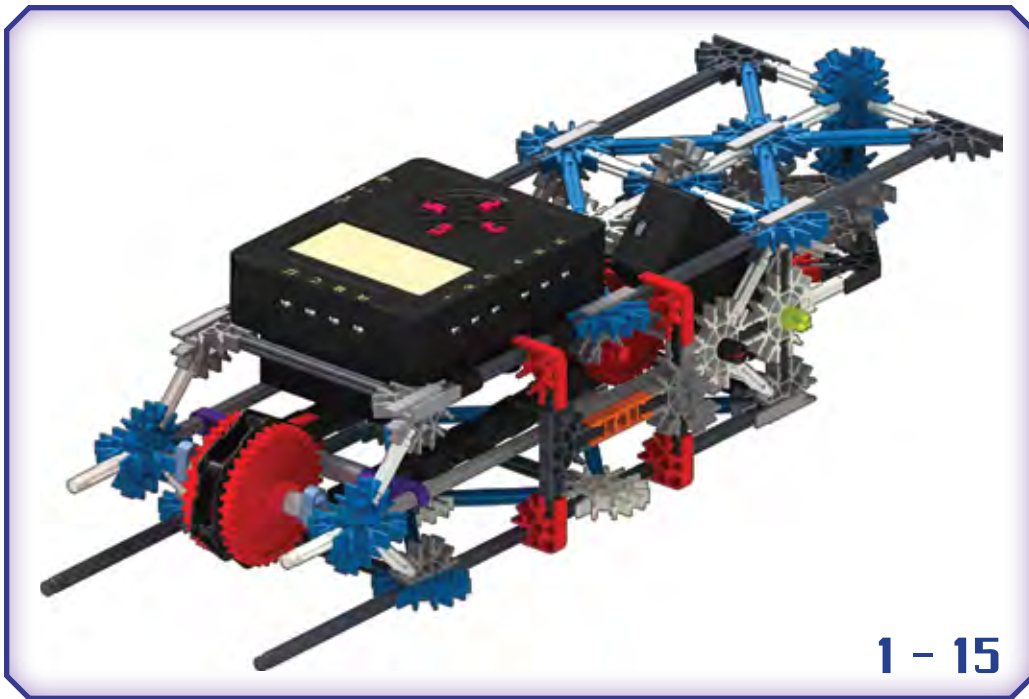


1 - 14



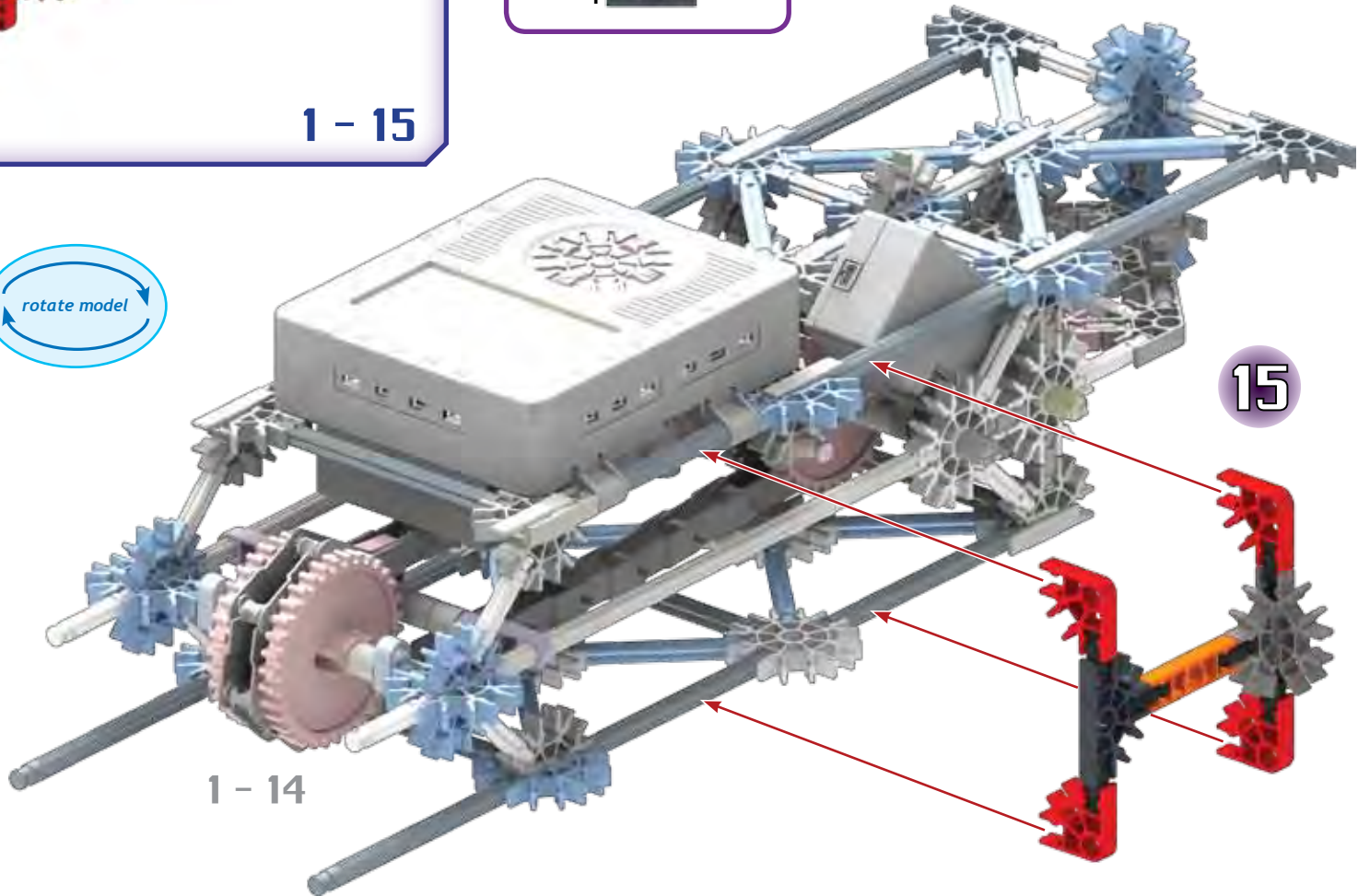
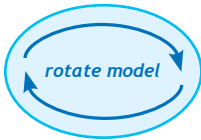
1 - 12





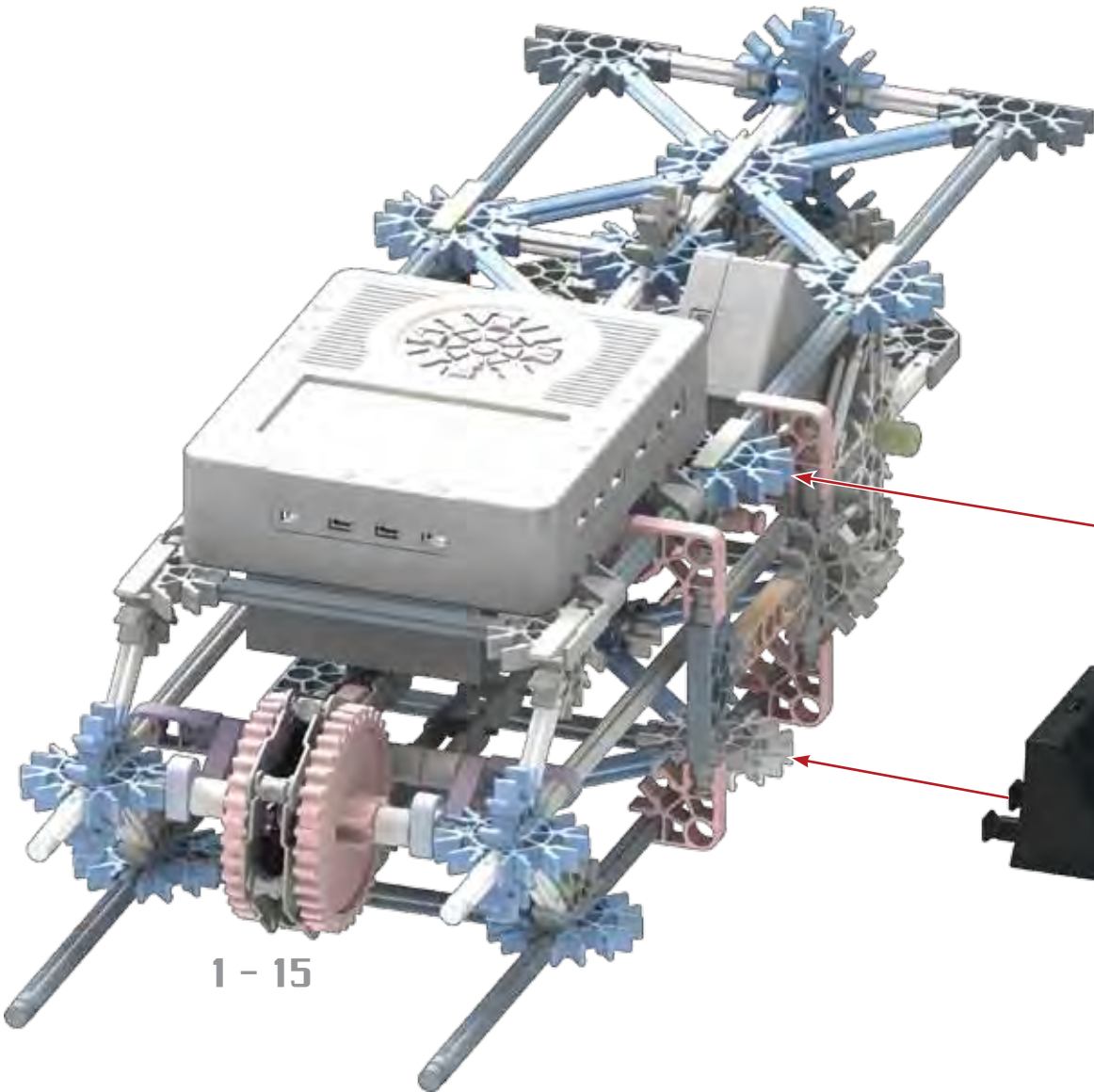
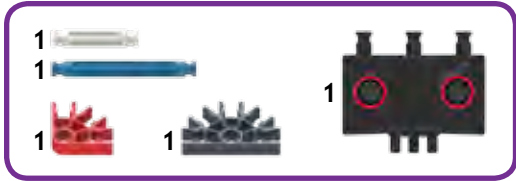
- |   |  |   |  |
|---|--|---|--|
| 6 |  | 1 |  |
| 4 |  | 2 |  |
| 1 |  |   |  |

1 - 15



1 - 14

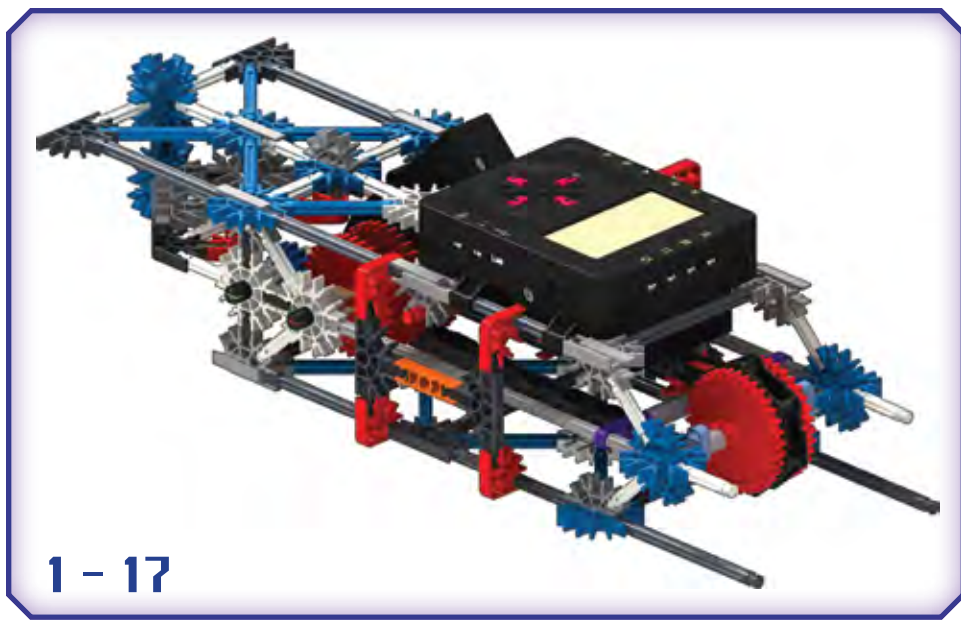
15



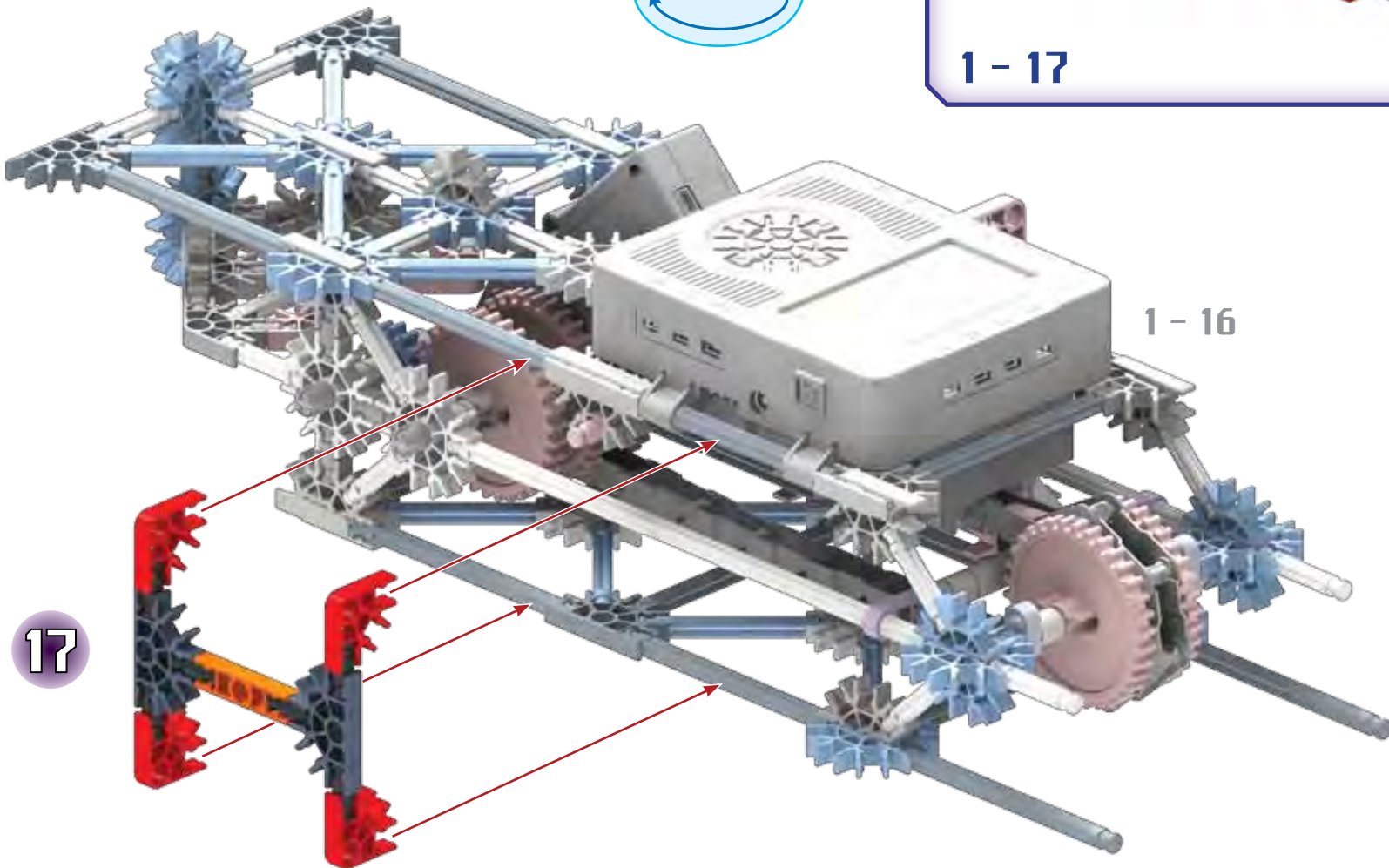


- |   |  |   |  |
|---|--|---|--|
| 6 |  | 1 |  |
| 4 |  | 2 |  |

rotate model



1 - 17

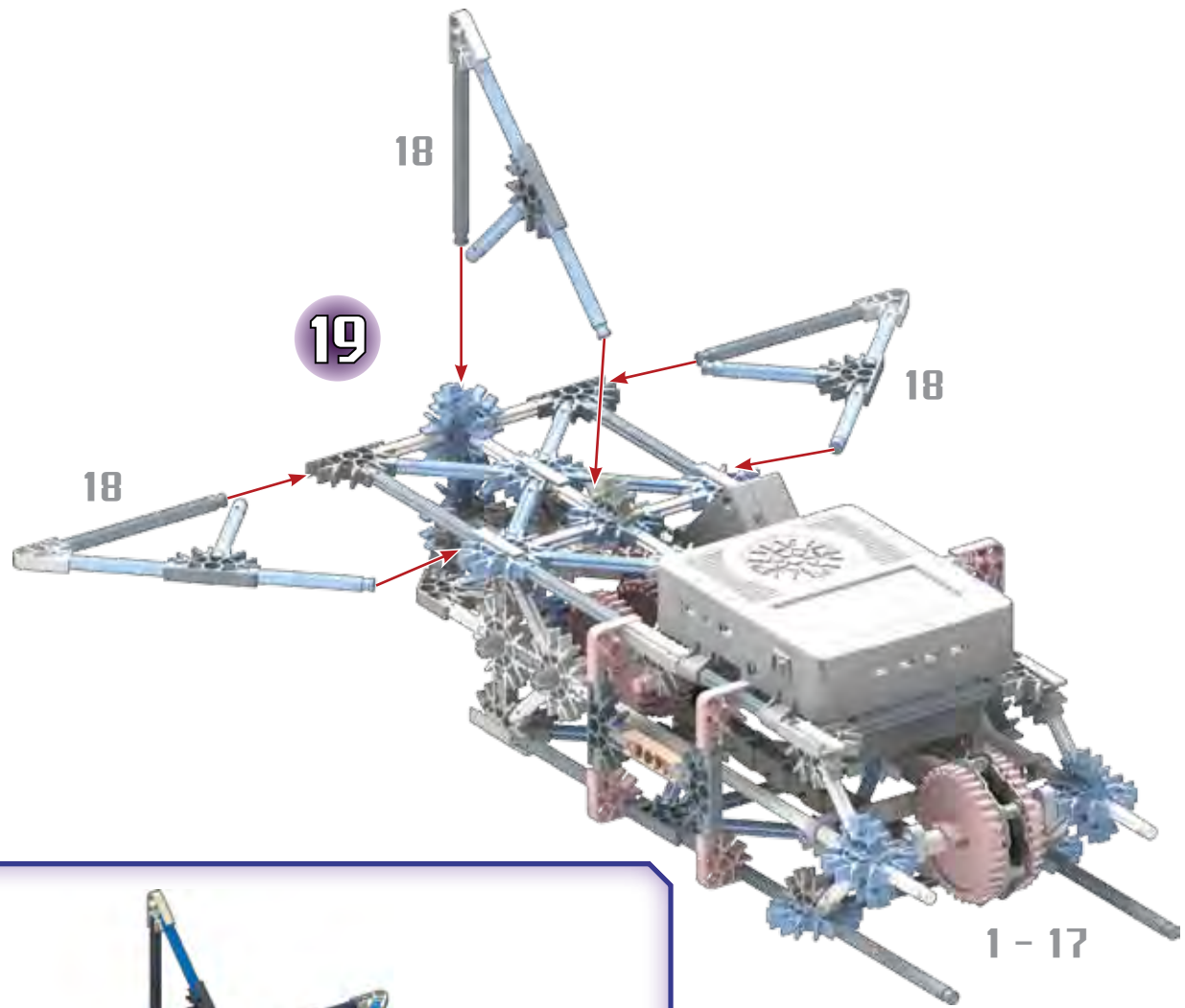


1 - 16

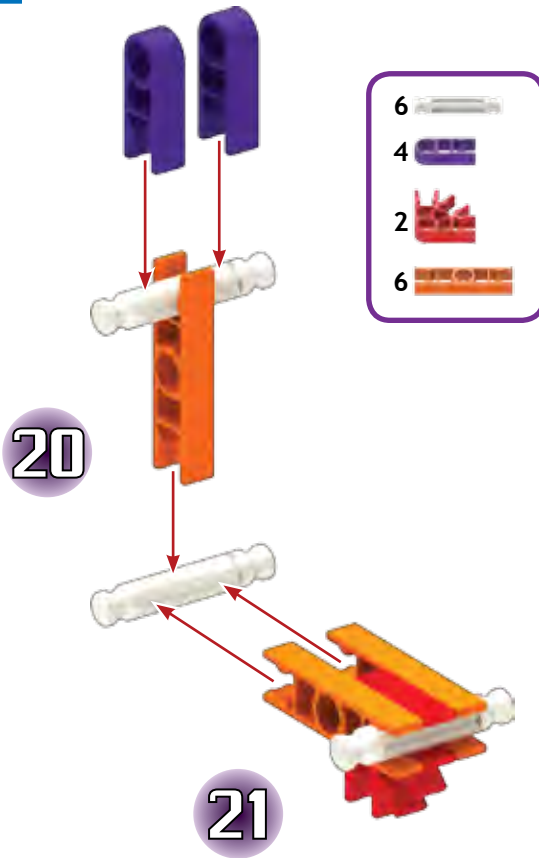
17



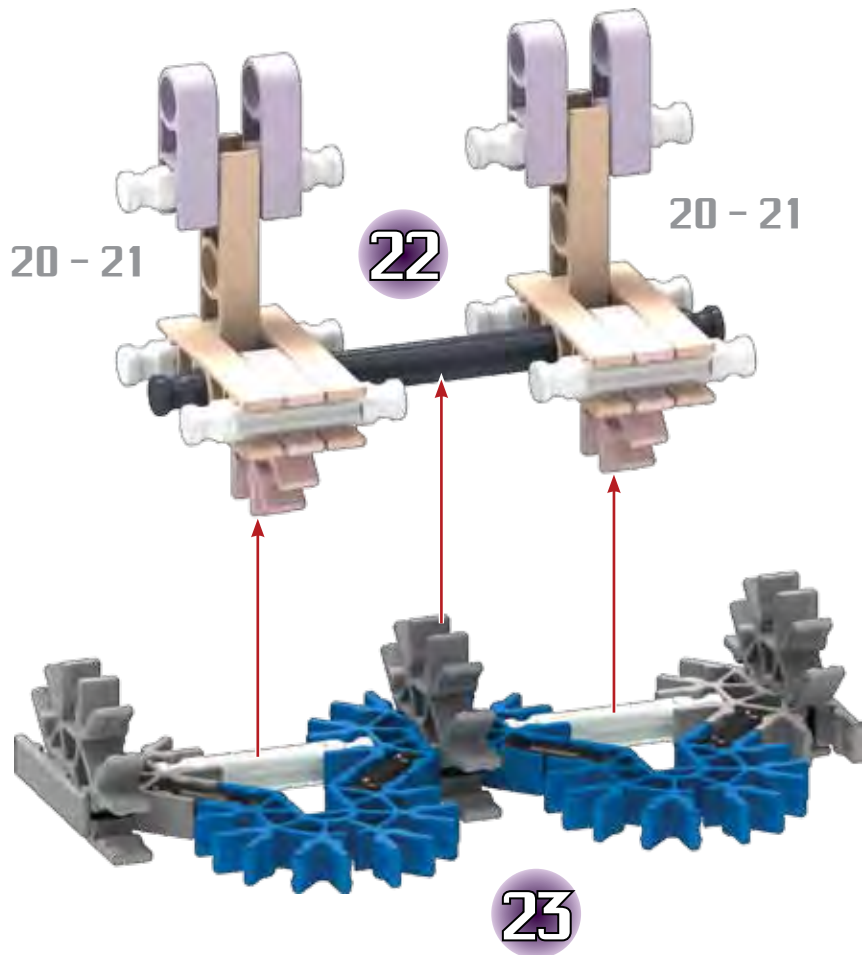
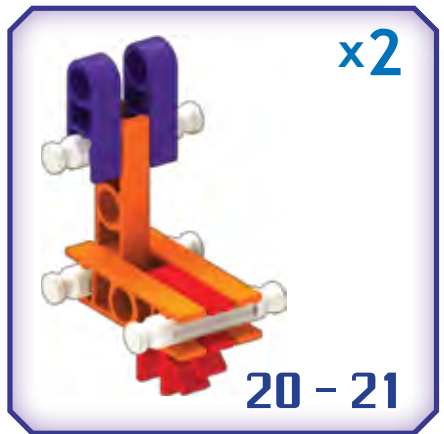
x3



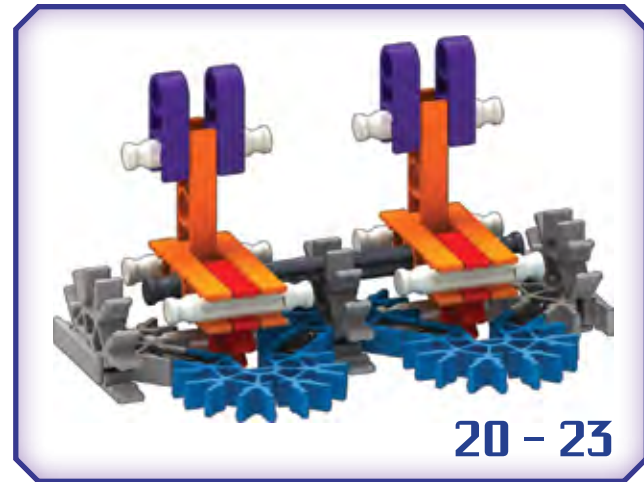
x2

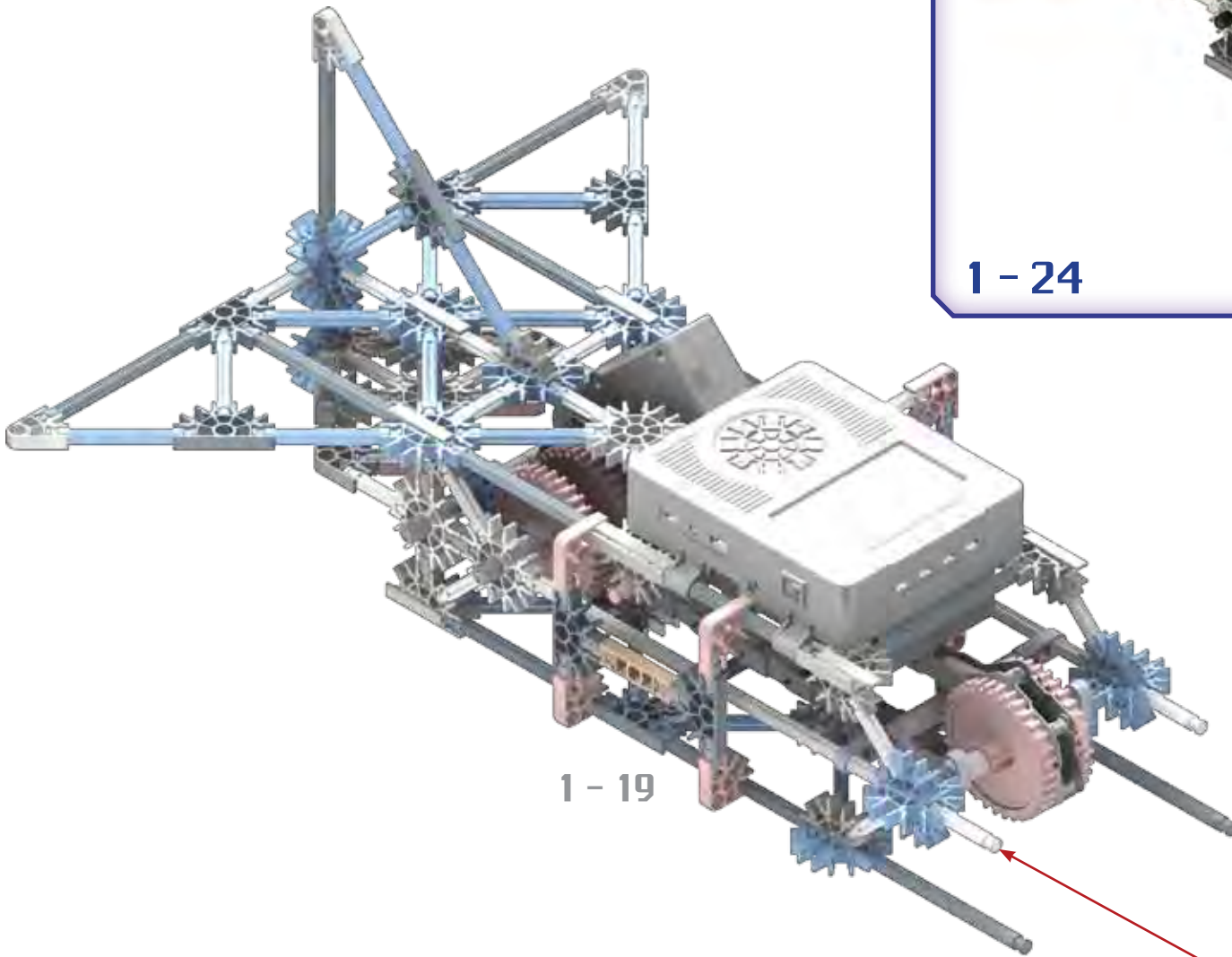


- 6
- 4
- 2
- 6

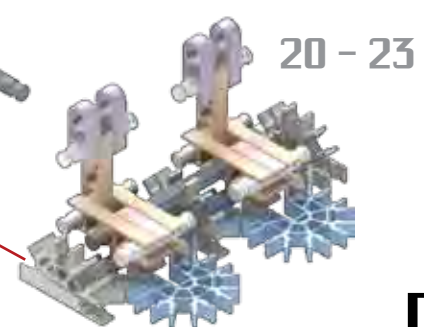


- 4
- 2
- 1
- 5
- 3



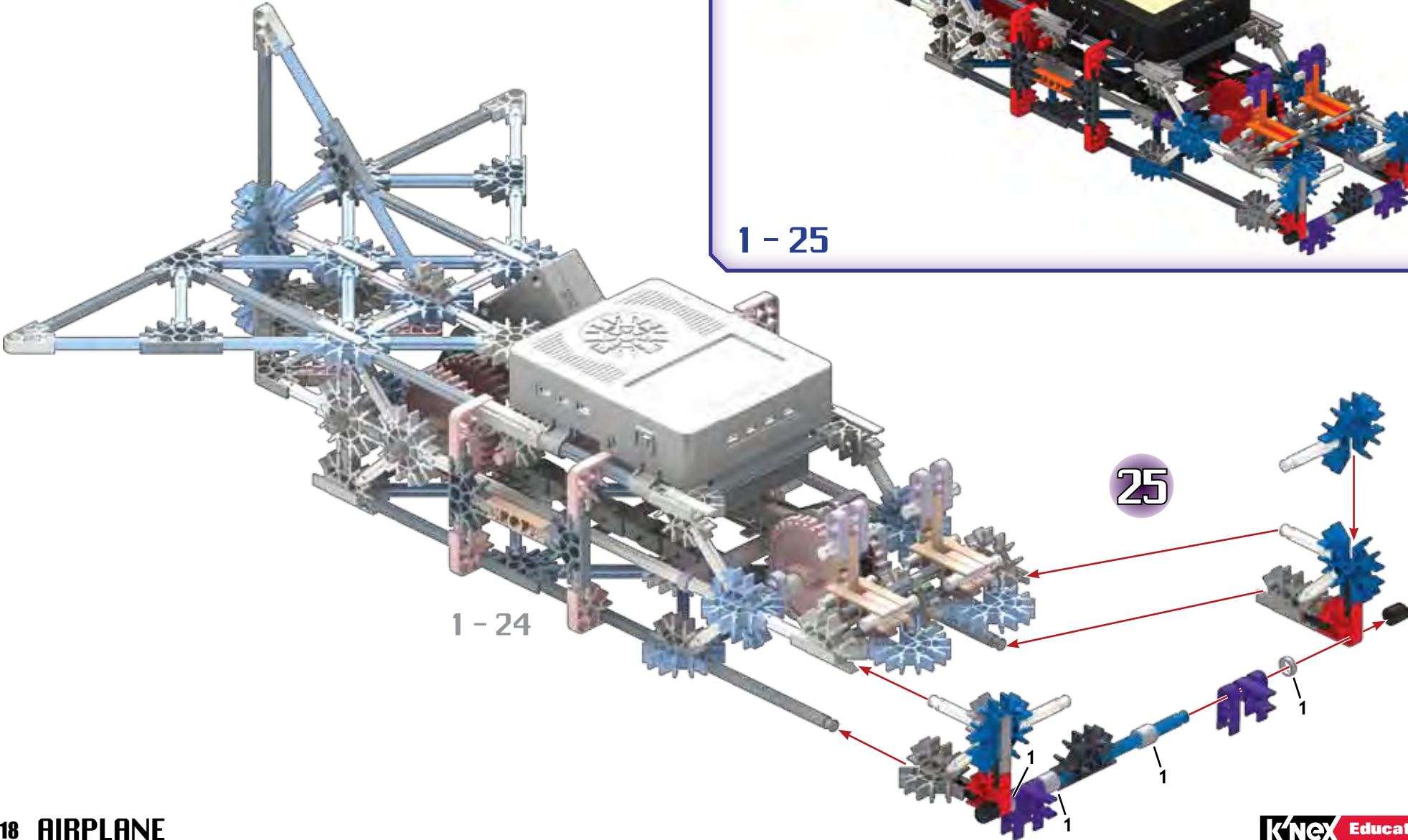
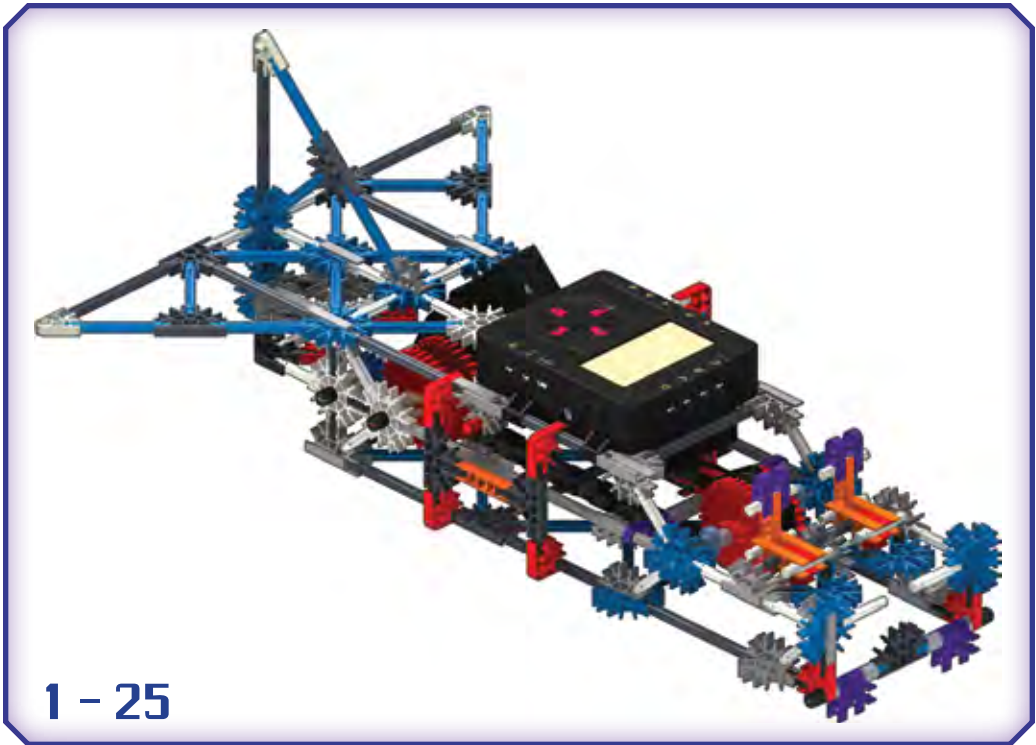


24



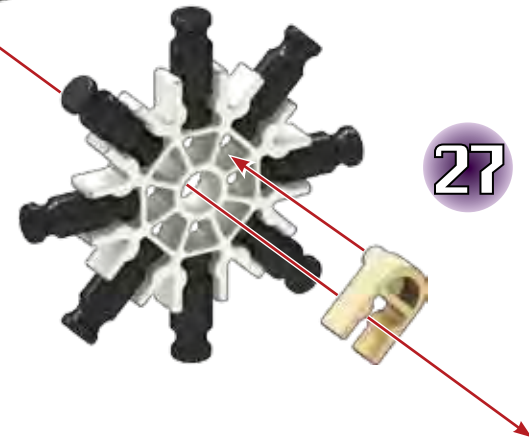
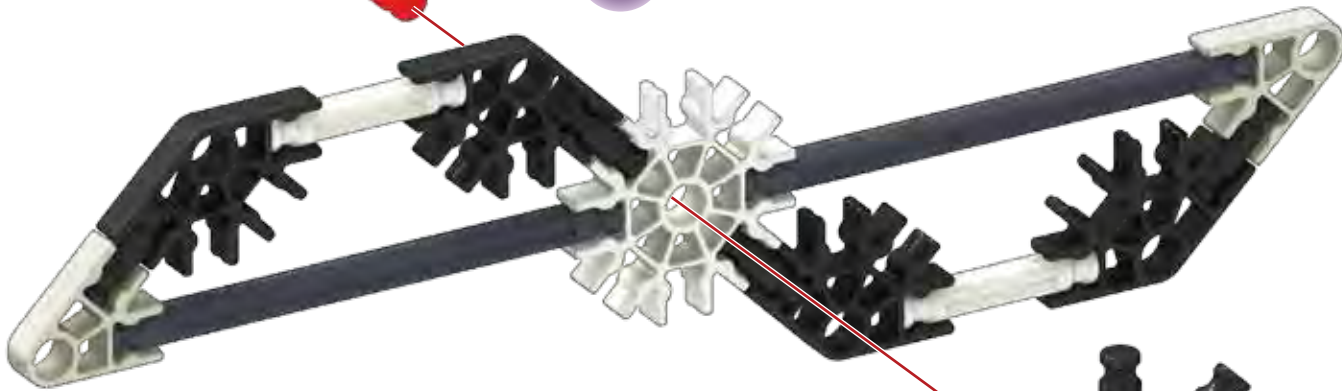


- |   |  |   |  |   |  |   |  |   |
|---|--|---|--|---|--|---|--|---|
| 4 |  | 2 |  | 2 |  | 2 |  |   |
| 6 |  |   |  | 6 |  |   |  | 3 |
| 2 |  |   |  |   |  |   |  |   |
| 2 |  | 1 |  | 5 |  |   |  |   |





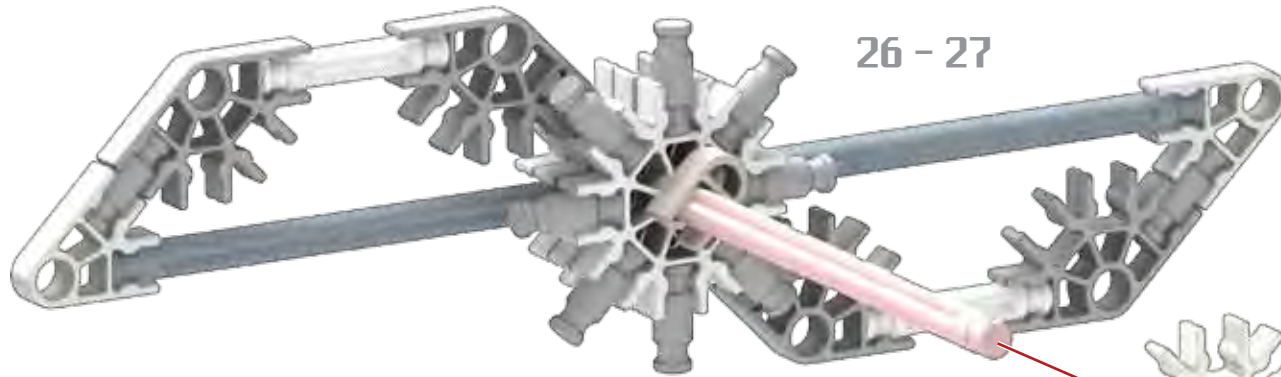
26



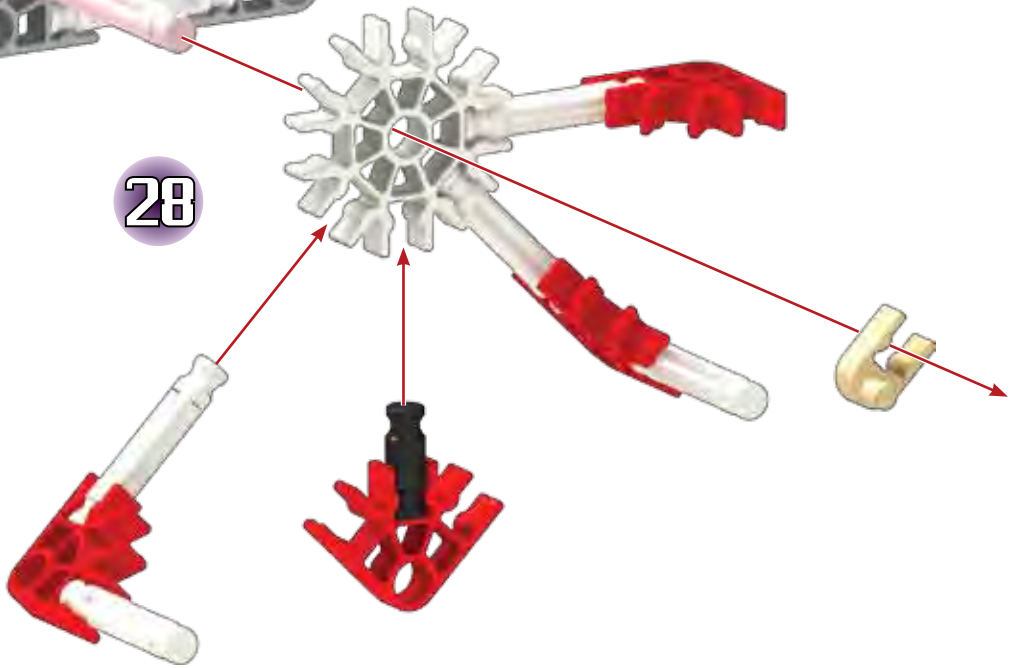
27



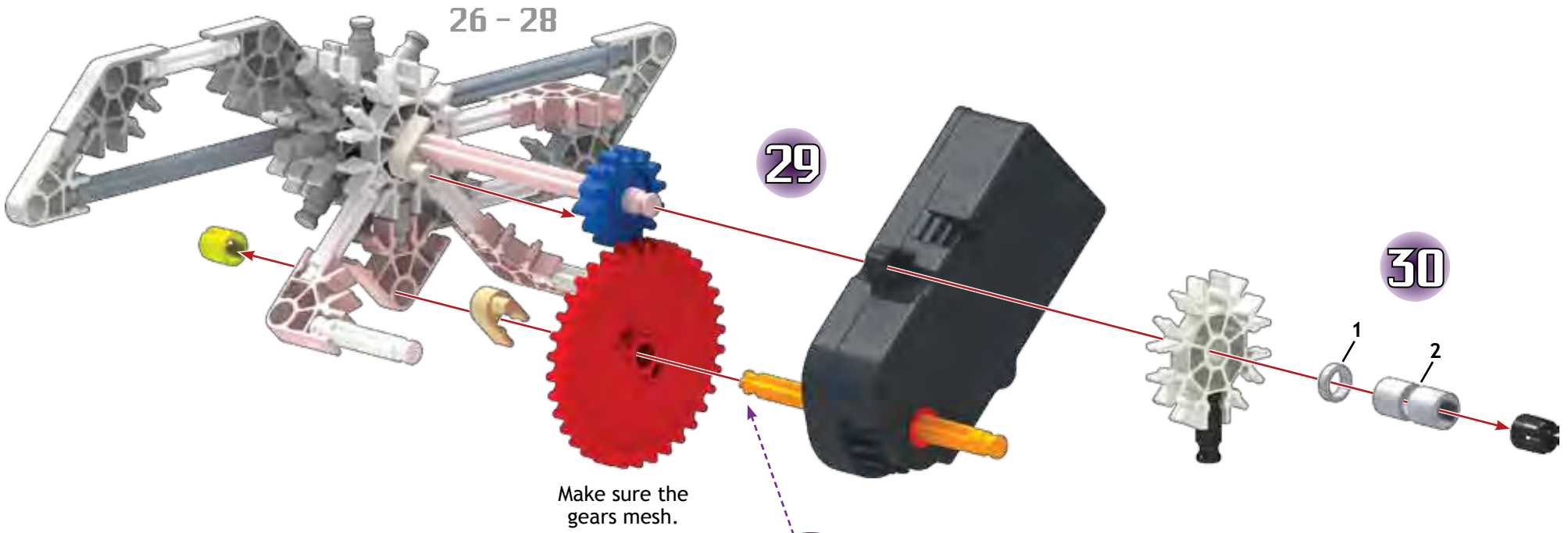
26 - 27



- |   |   |
|---|---|
| 1 | 1 |
| 5 | 1 |
| 4 | 1 |





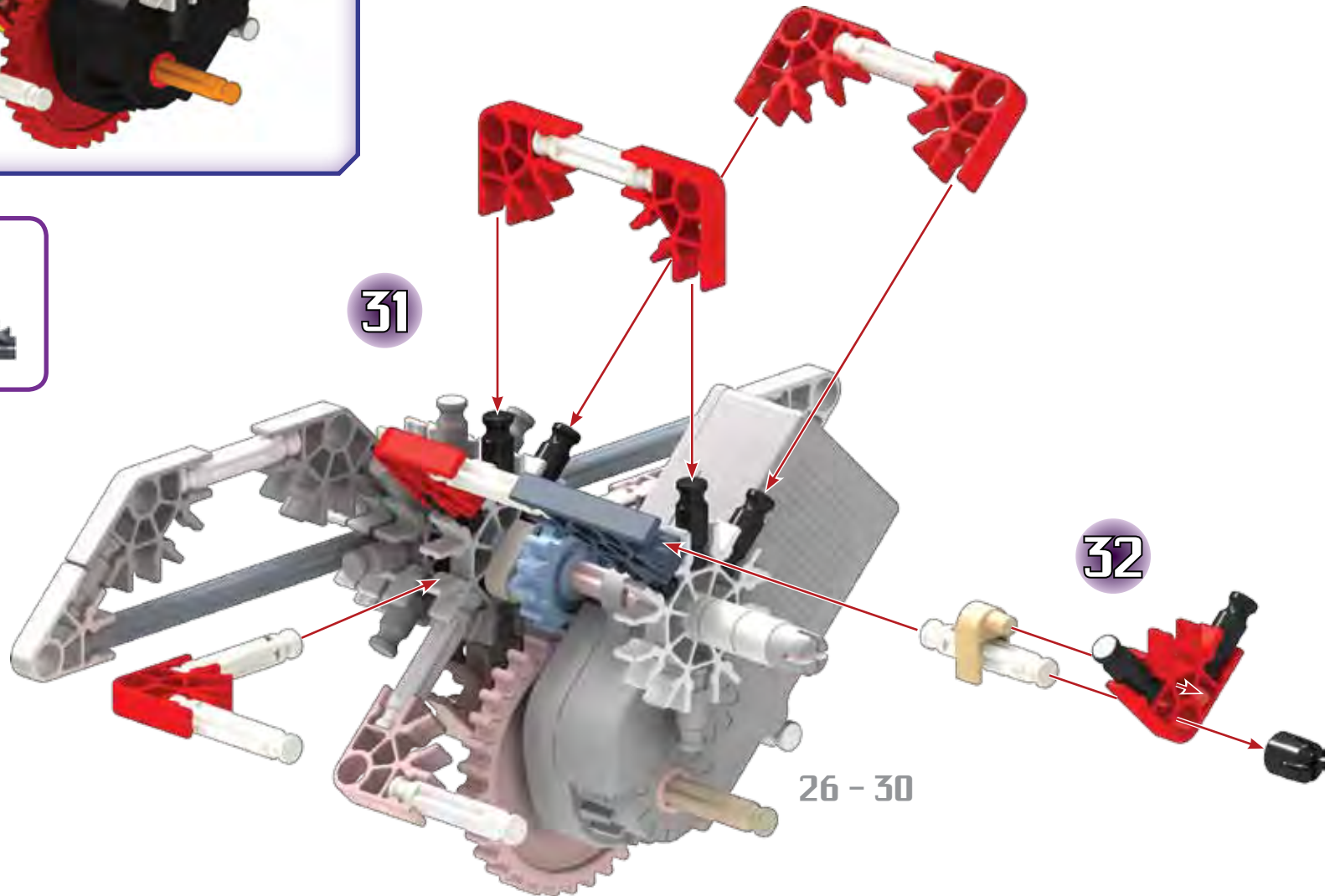


- |   |   |   |   |
|---|---|---|---|
| 1 | 1 | 1 | 2 |
| 1 | 1 | 1 |   |
| 1 | 1 |   |   |
| 1 | 1 |   |   |



26 - 32

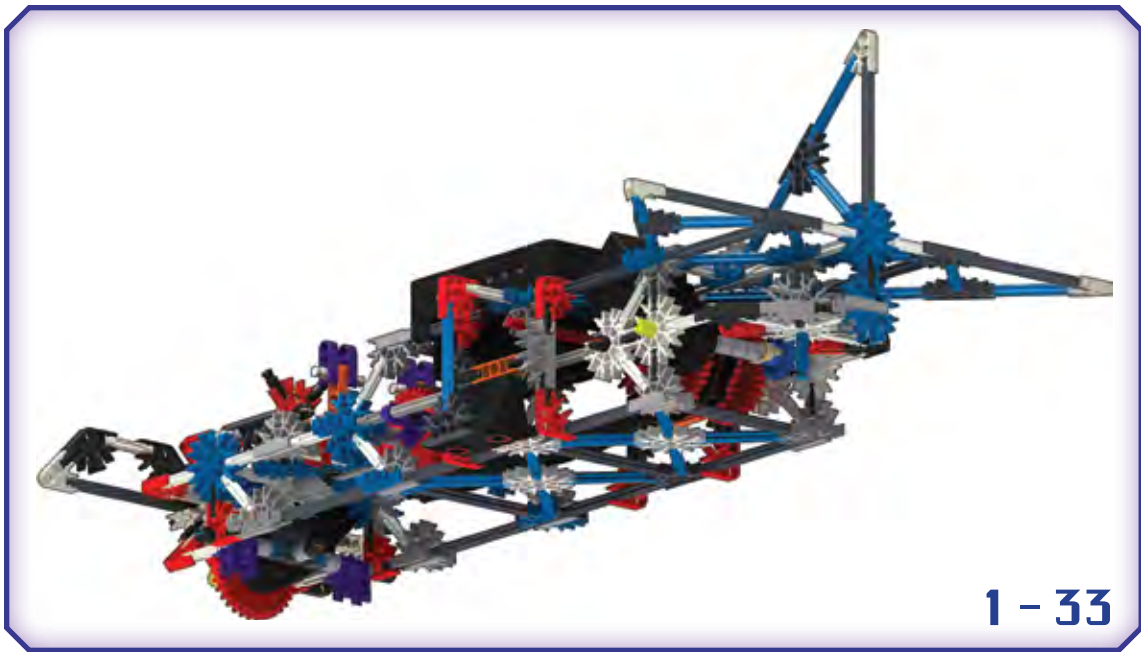
- |   |  |   |  |
|---|--|---|--|
| 1 |  | 7 |  |
| 1 |  |   |  |
| 8 |  | 1 |  |
| 6 |  |   |  |



31

32

26 - 30



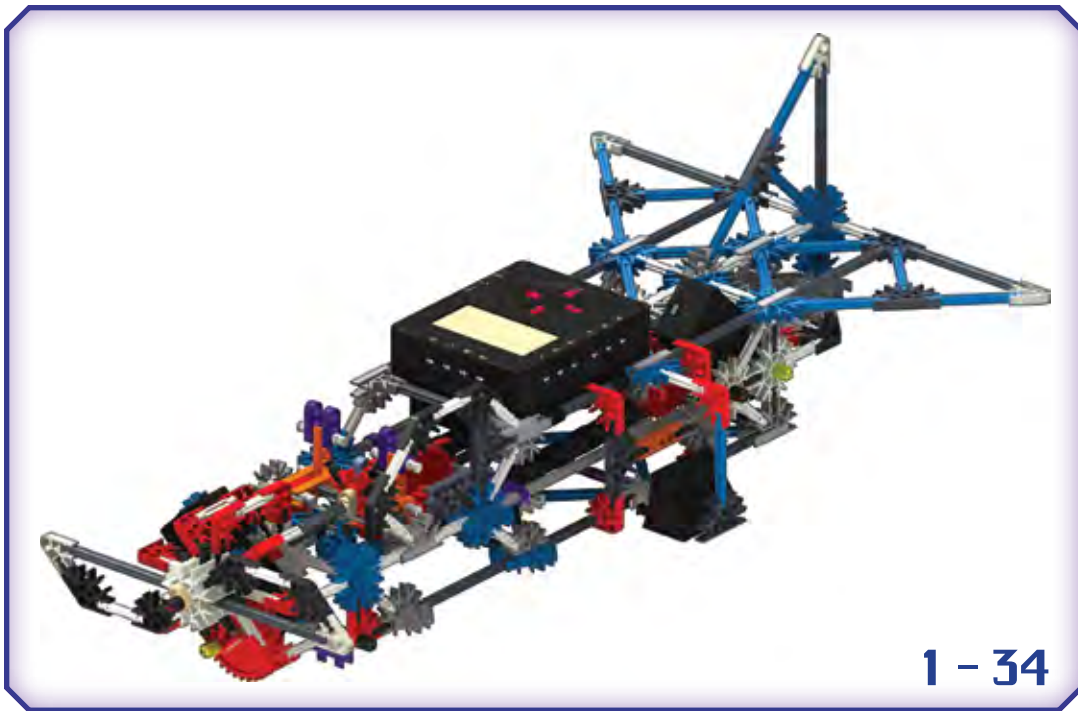
1 - 25

33

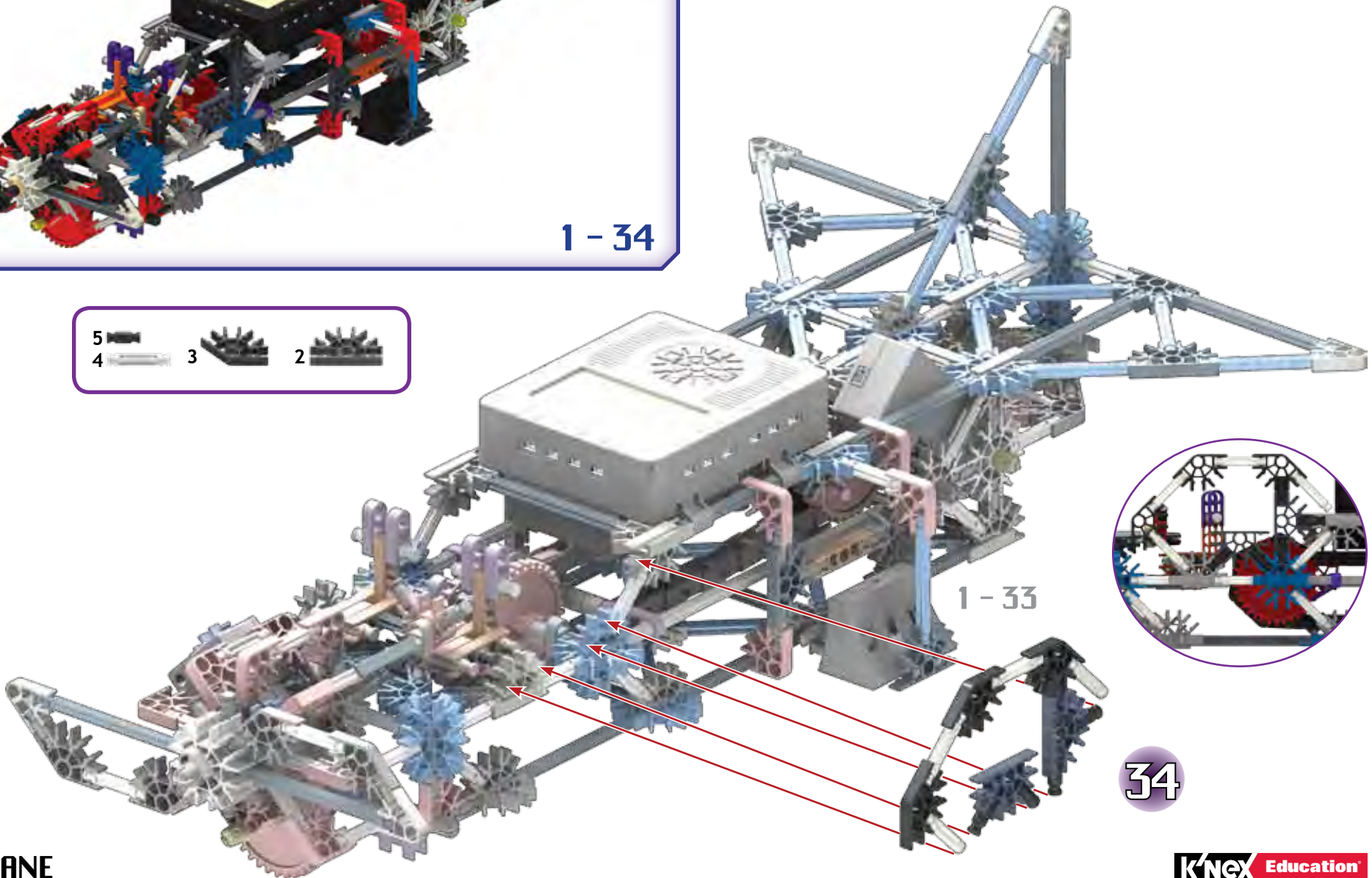
26 - 32



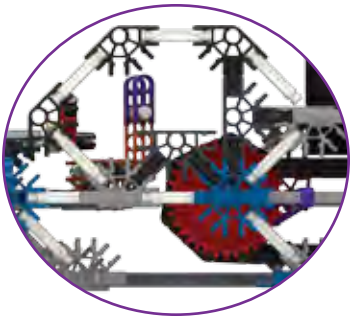




1 - 34

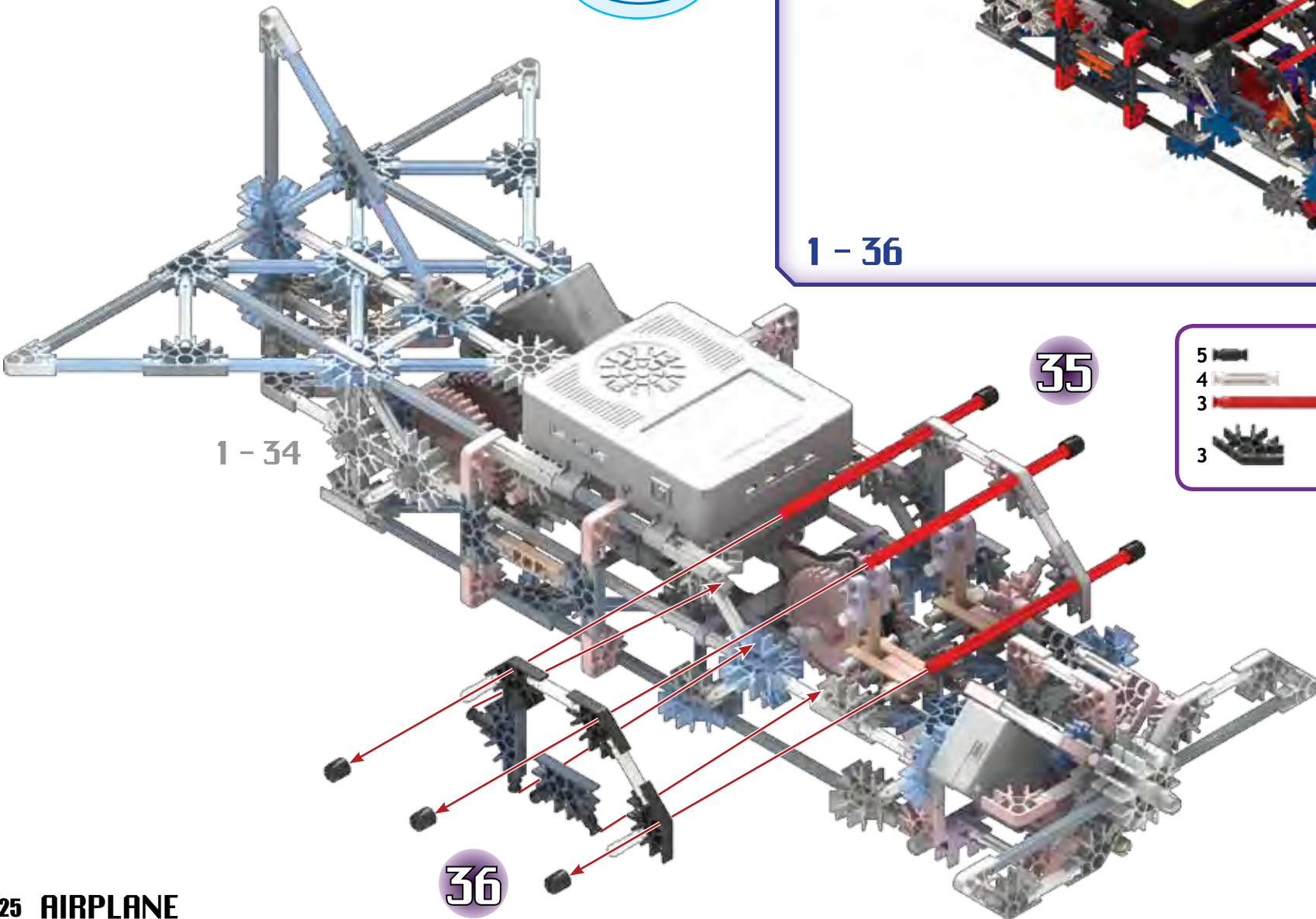


1 - 33

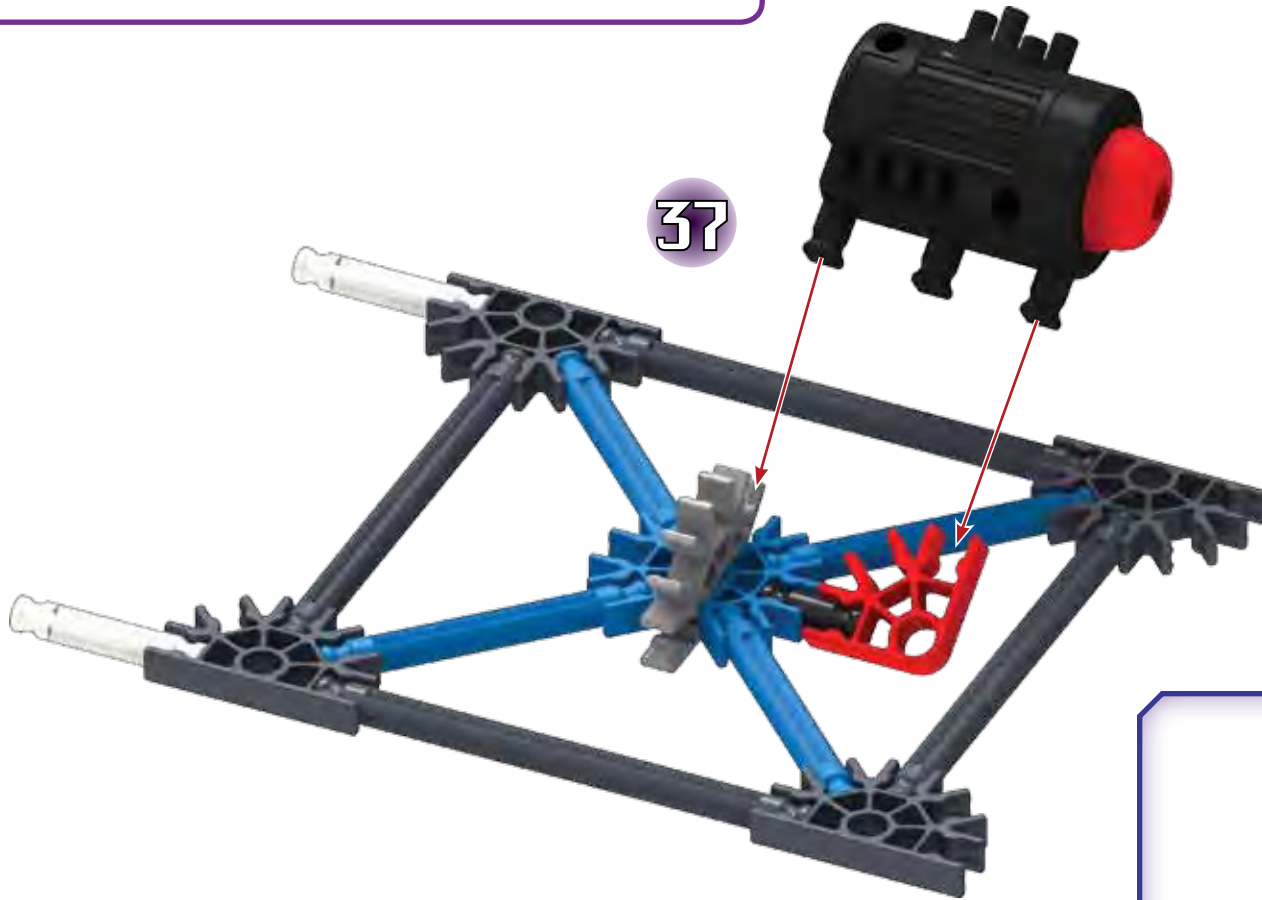


34

rotate model



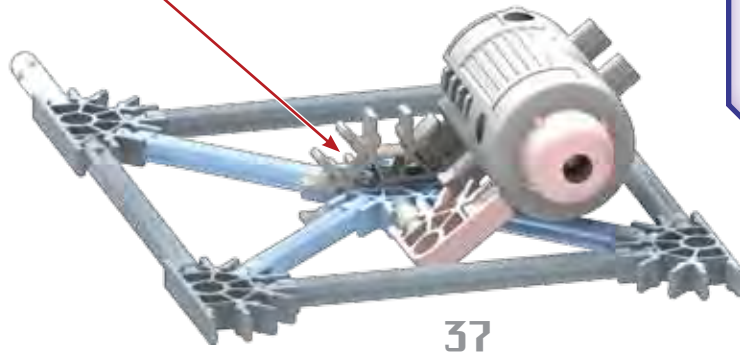
- |   |  |   |  |
|---|--|---|--|
| 5 |  | 6 |  |
| 4 |  |   |  |
| 3 |  |   |  |
| 3 |  | 2 |  |







38



37

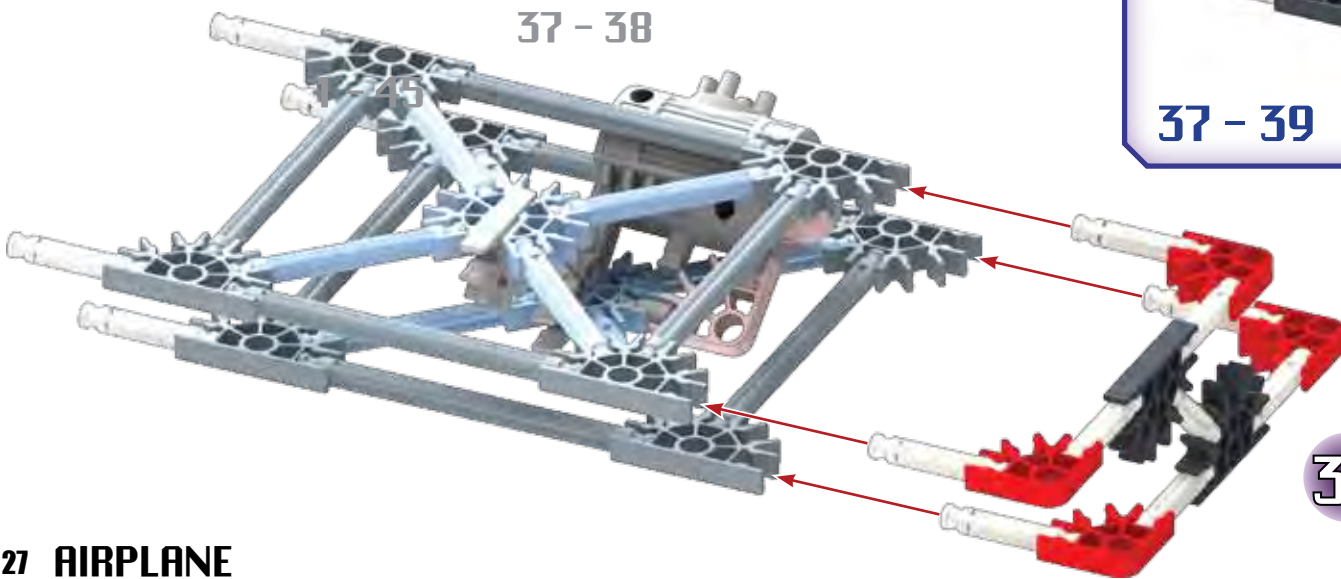
- |   |  |   |  |
|---|--|---|--|
| 3 |  | 1 |  |
| 4 |  |   |  |
| 4 |  |   |  |
| 4 |  | 1 |  |



37 - 38



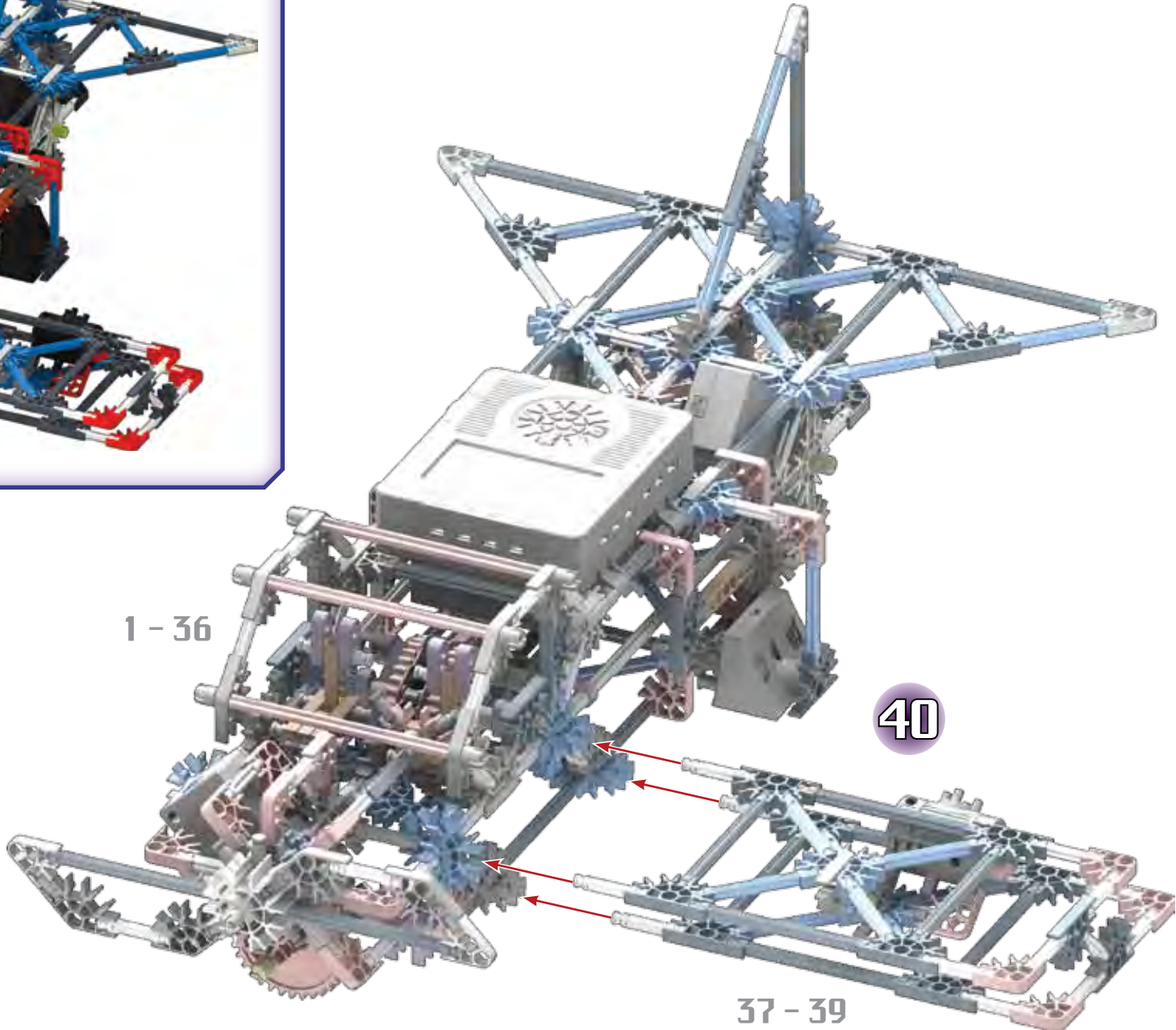
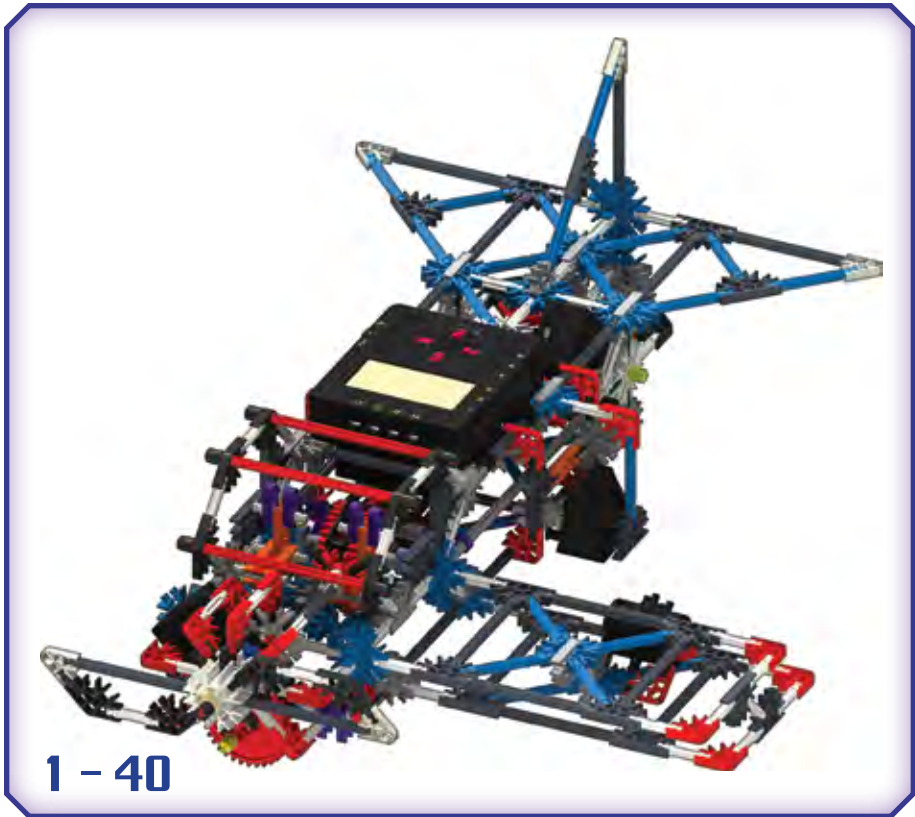
37 - 39

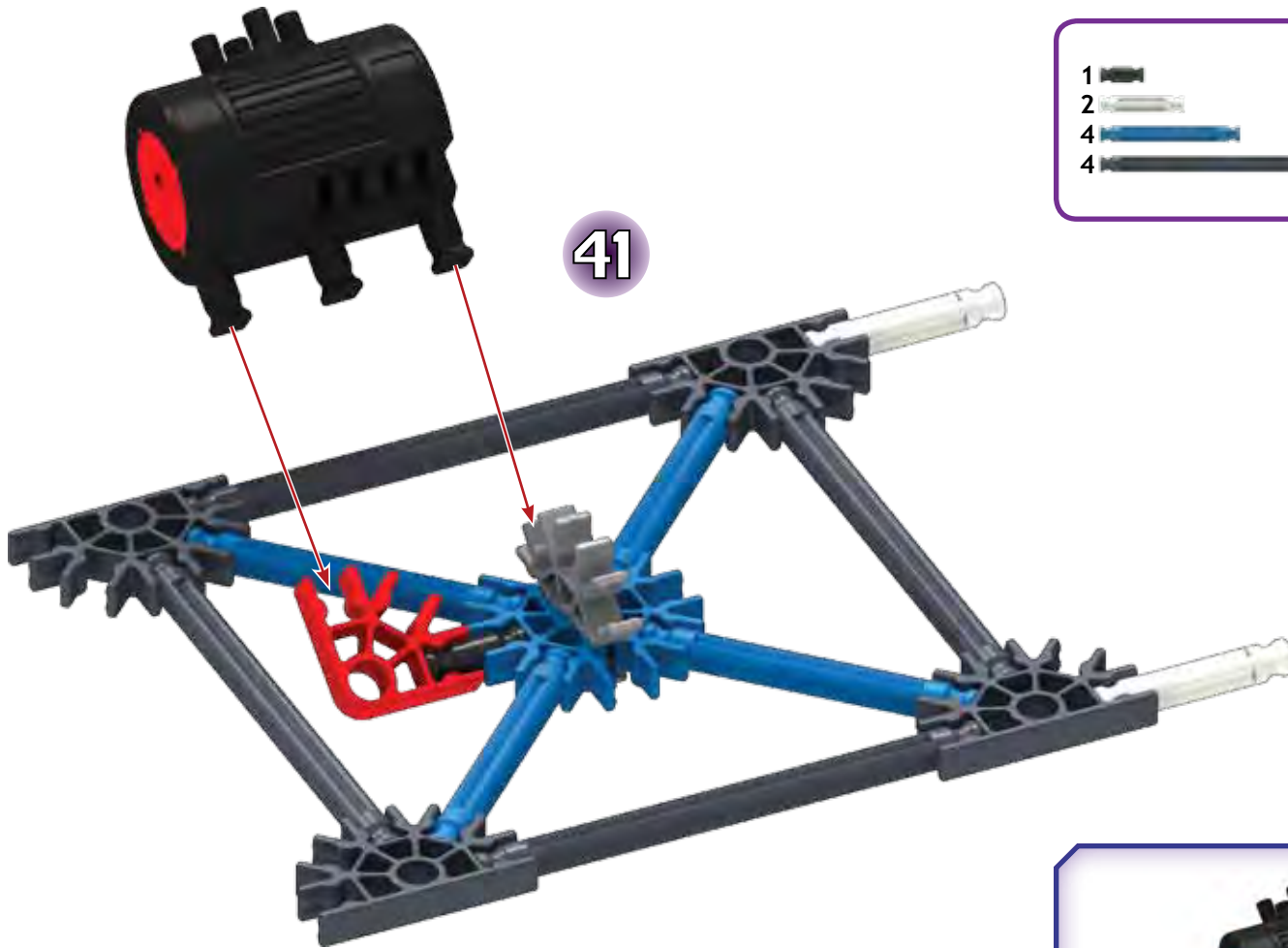


37 - 38

39

- |   |  |   |  |   |  |
|---|--|---|--|---|--|
| 9 |  | 4 |  | 2 |  |
|---|--|---|--|---|--|





- |   |  |   |  |   |  |   |  |
|---|--|---|--|---|--|---|--|
| 1 |  | 1 |  | 1 |  | 1 |  |
| 2 |  |   |  |   |  |   |  |
| 4 |  | 4 |  | 1 |  |   |  |
| 4 |  |   |  |   |  |   |  |

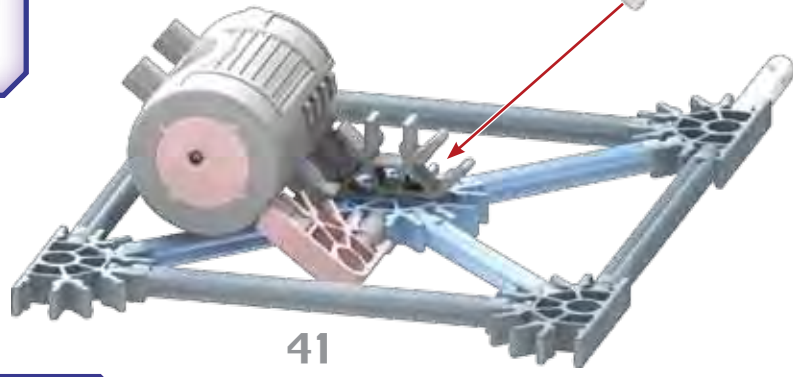
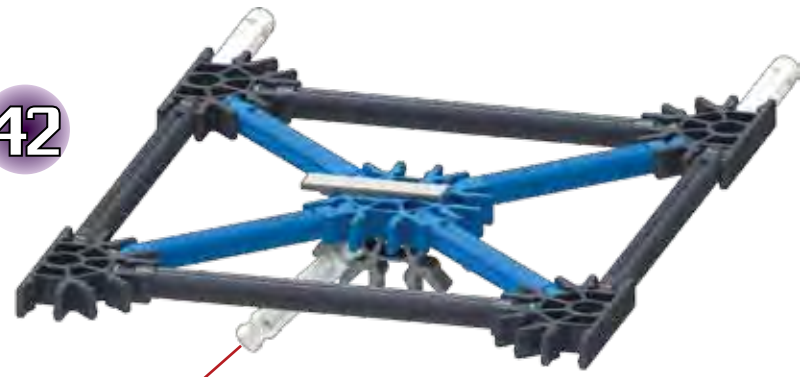






41 - 42

42



41

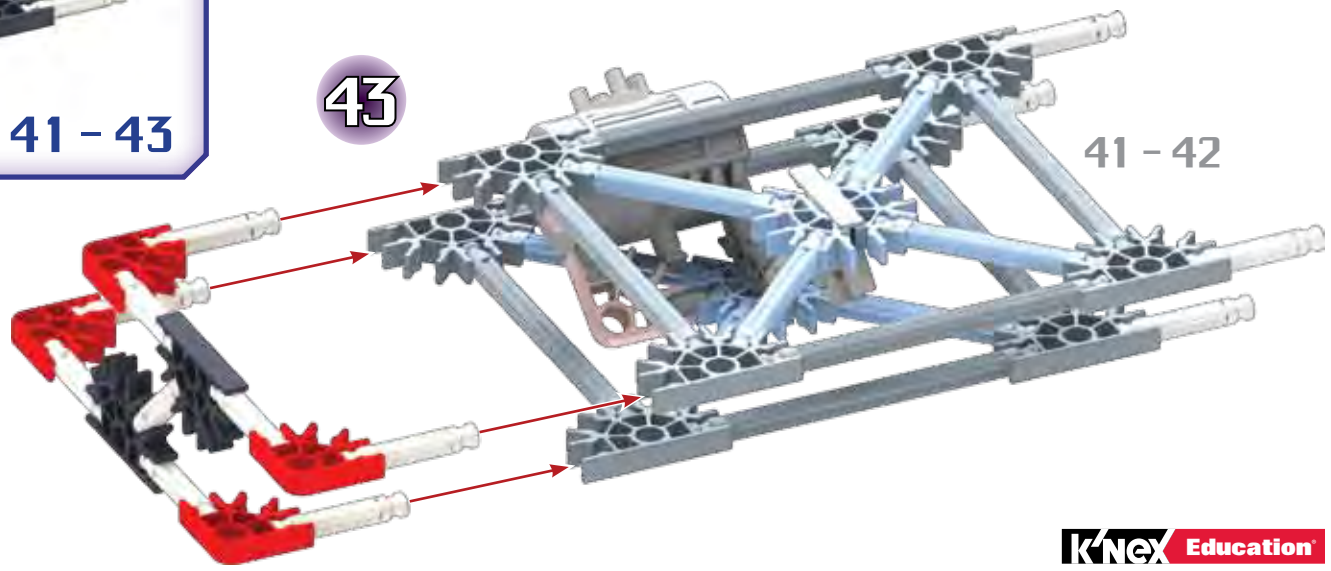
- |   |  |   |  |
|---|--|---|--|
| 3 |  | 1 |  |
| 4 |  | 1 |  |
| 4 |  | 1 |  |
| 4 |  | 1 |  |



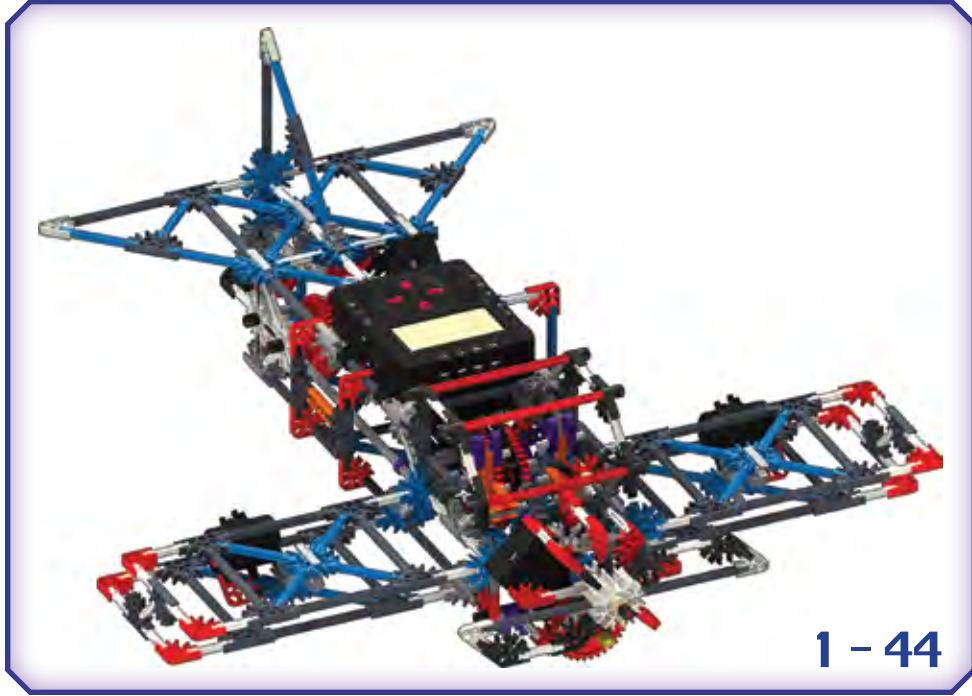
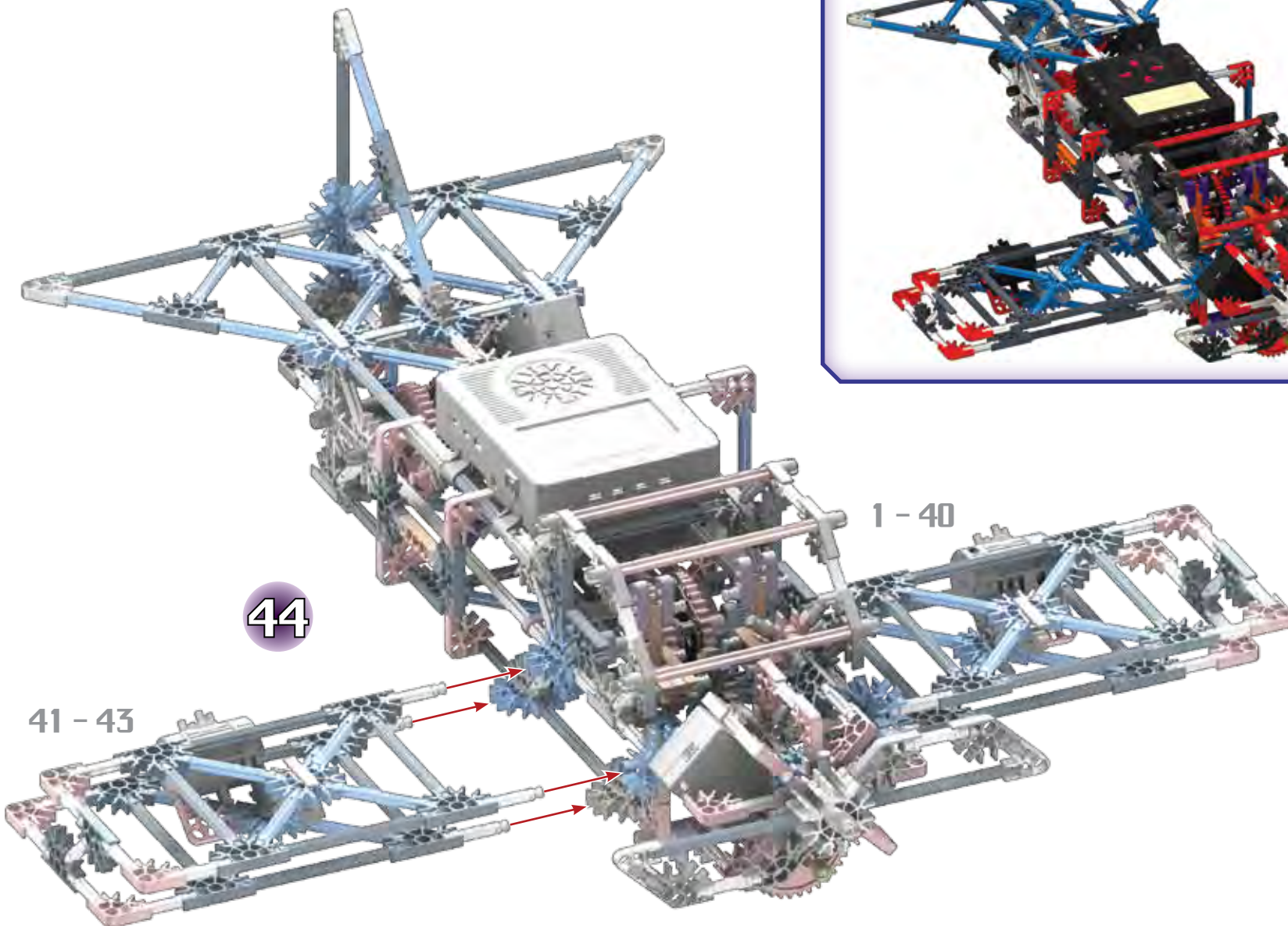
41 - 43

- |   |  |   |  |   |  |
|---|--|---|--|---|--|
| 9 |  | 4 |  | 2 |  |
|---|--|---|--|---|--|

43



41 - 42



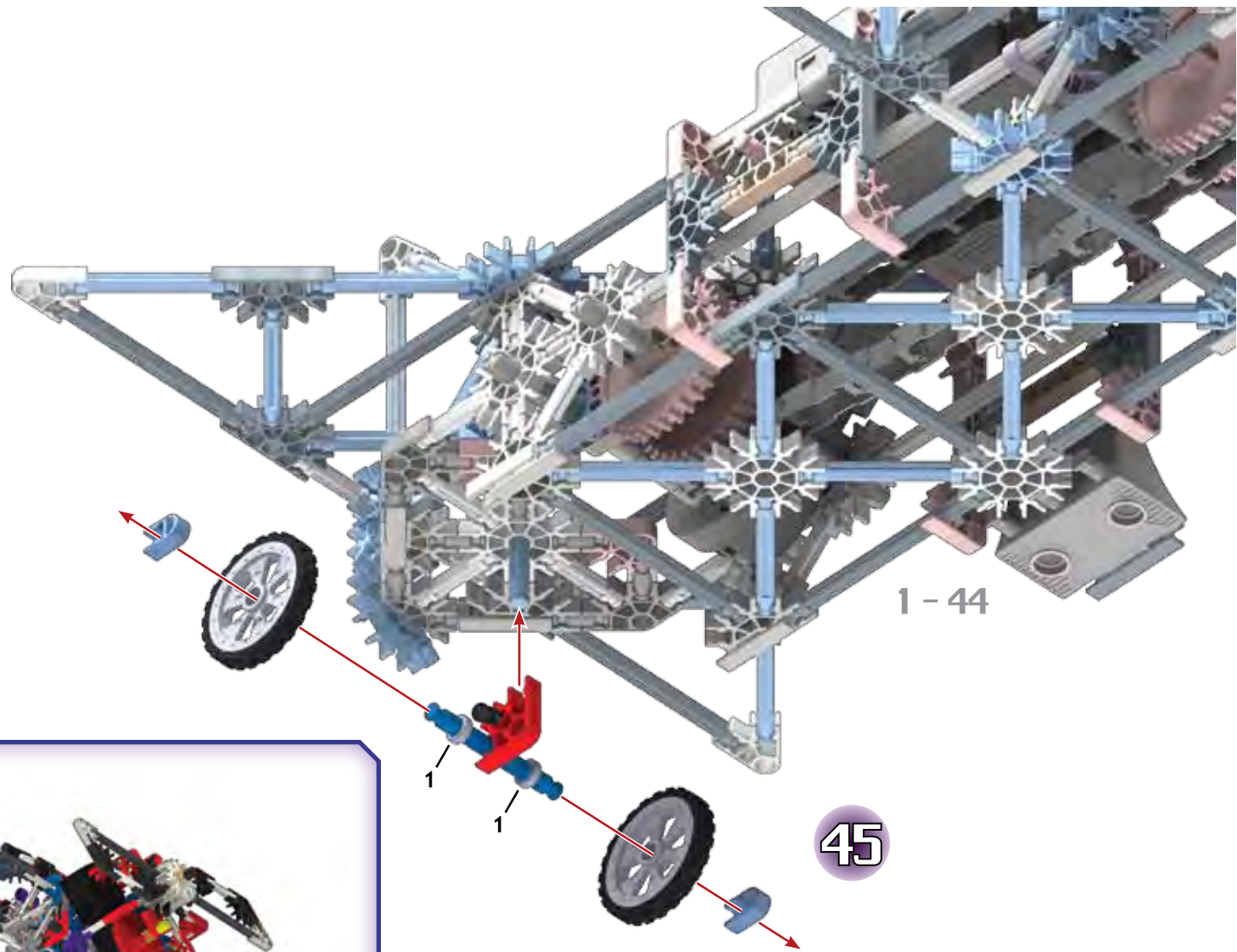
41 - 43

44

1 - 40

1 - 44

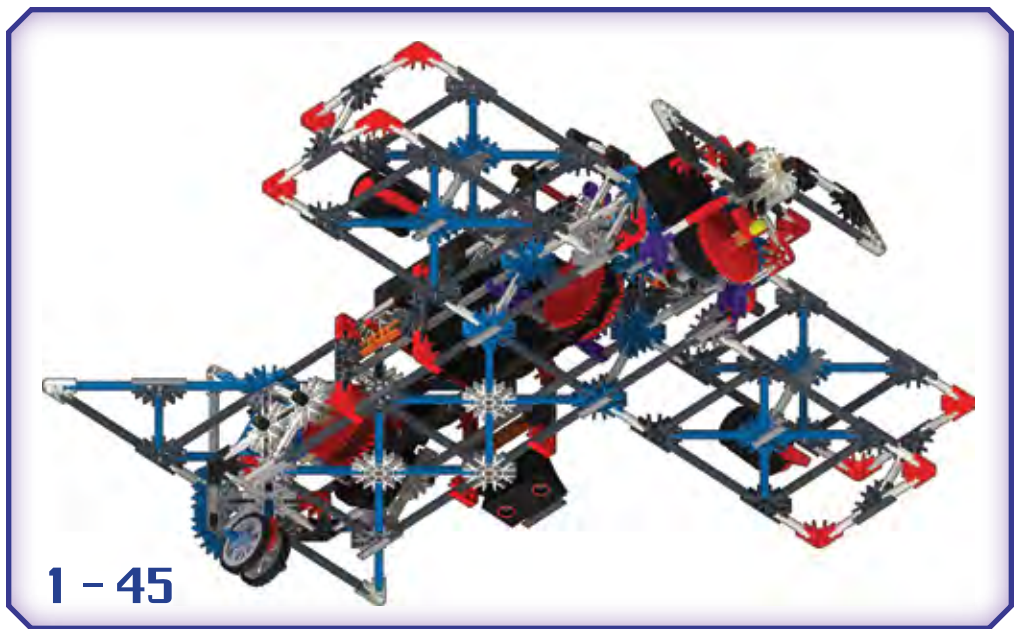




1 - 44

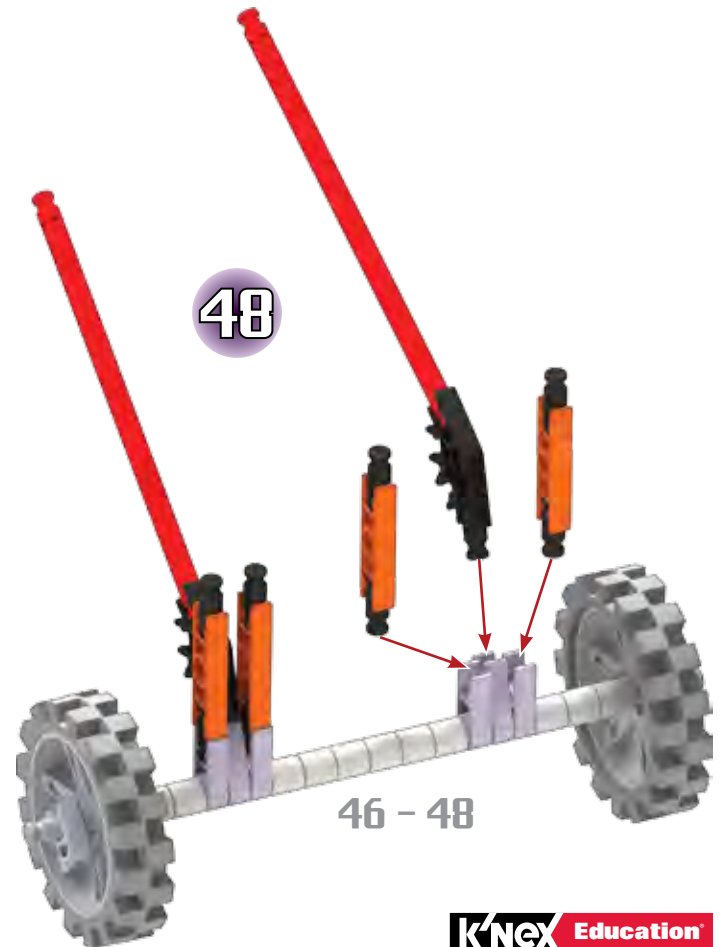
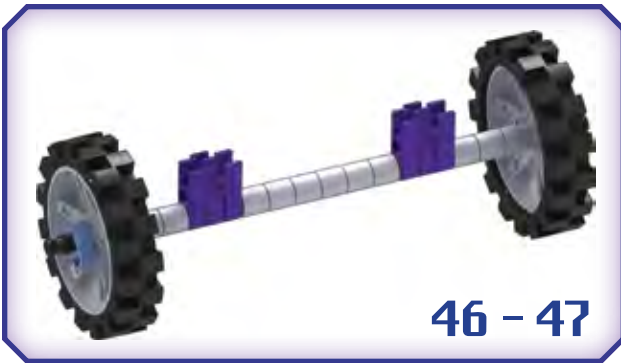
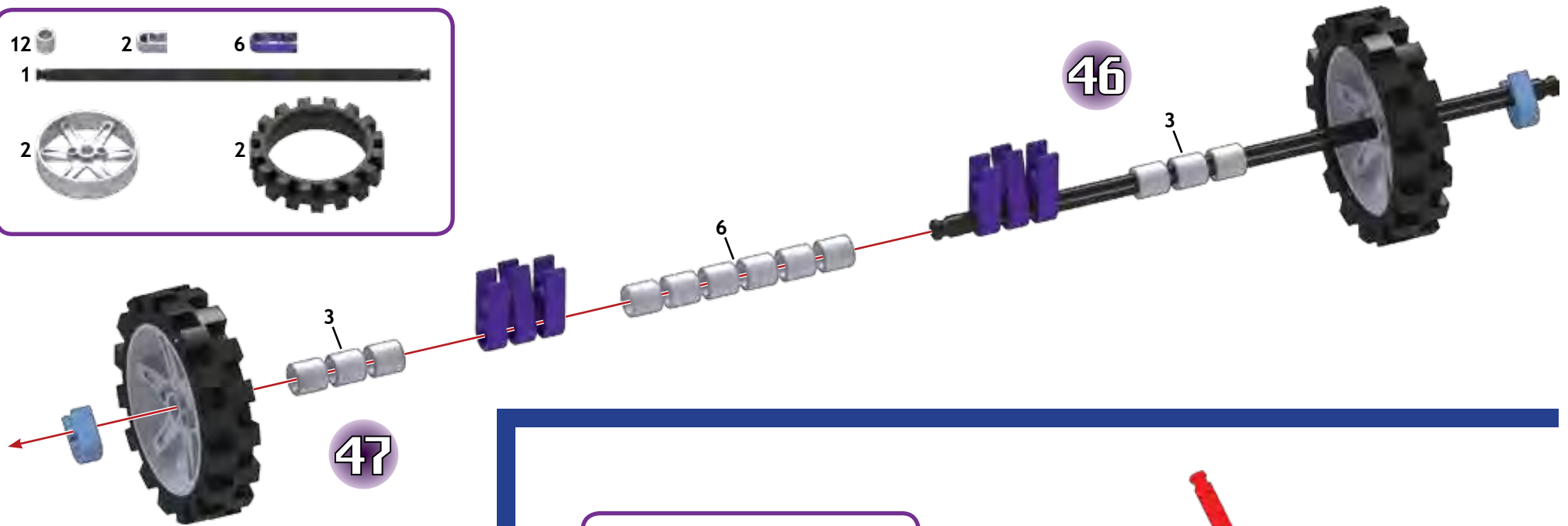
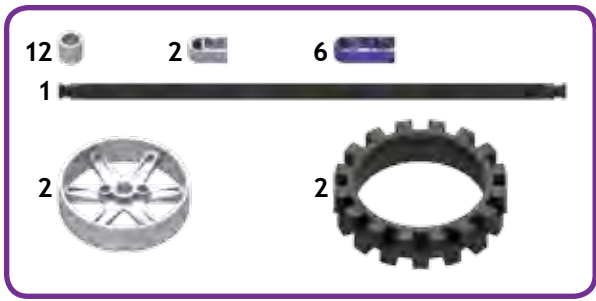
45

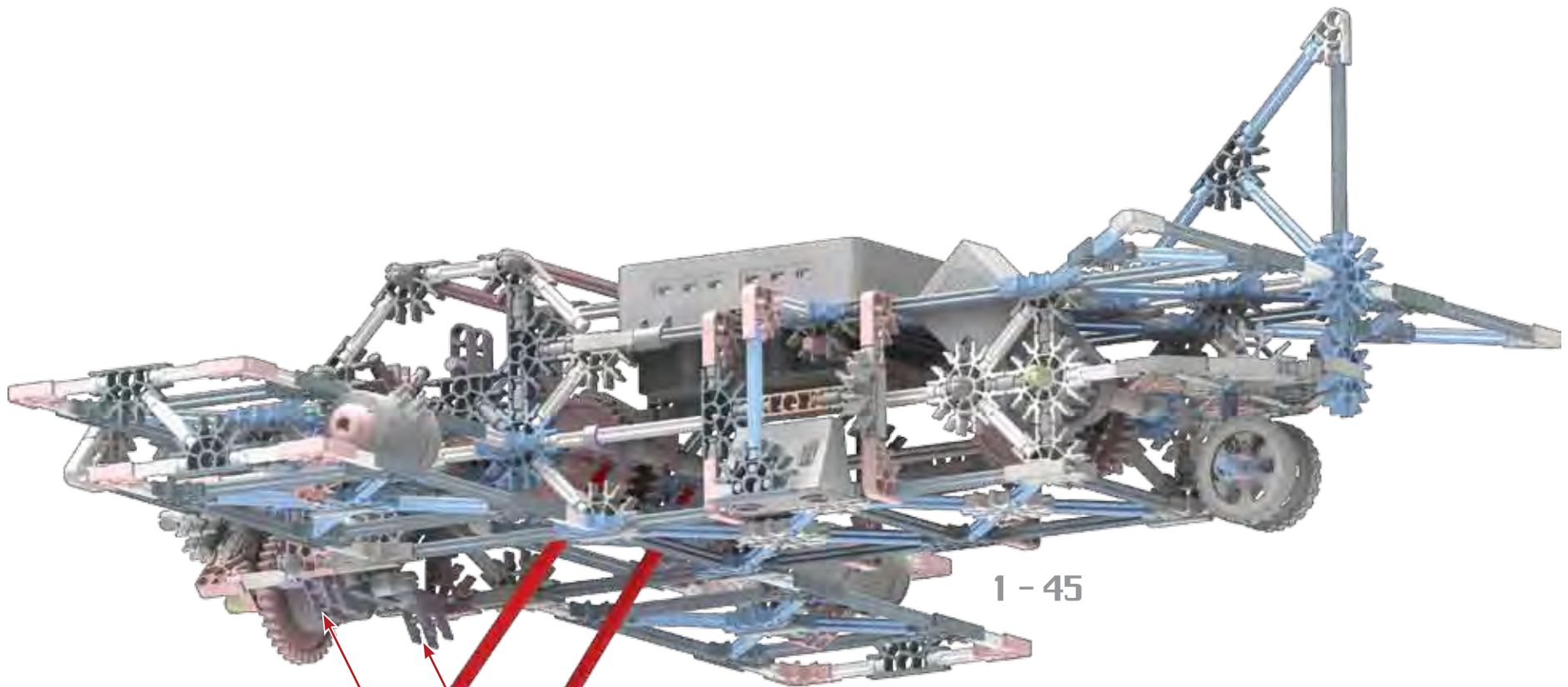
- |   |  |   |  |
|---|--|---|--|
| 1 |  | 2 |  |
| 1 |  | 1 |  |
|   |  | 2 |  |
| 2 |  | 2 |  |



1 - 45



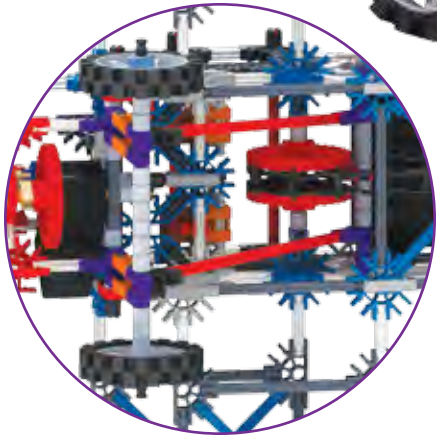




1 - 45

46 - 48

49



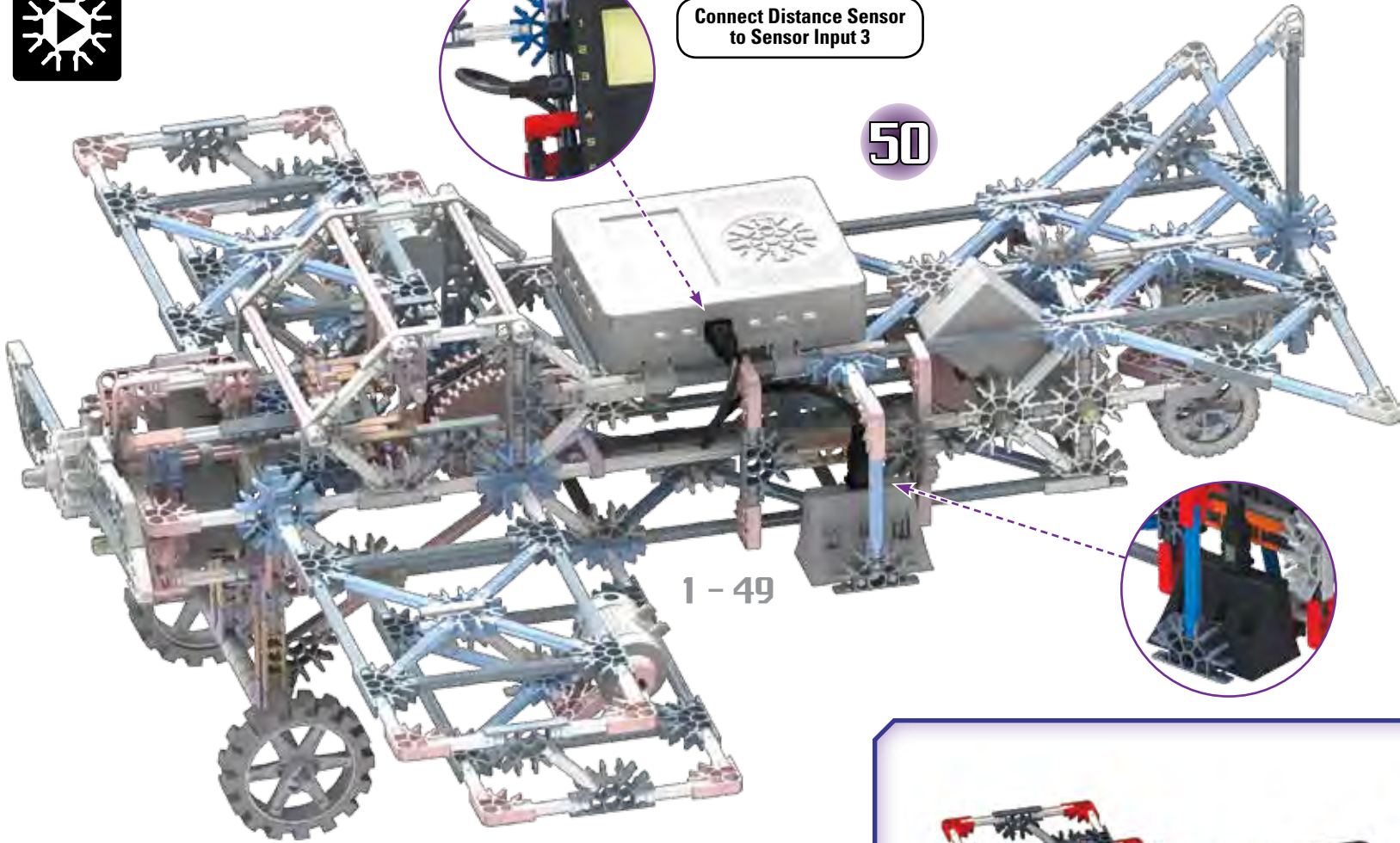
1 - 49





Connect Distance Sensor to Sensor Input 3

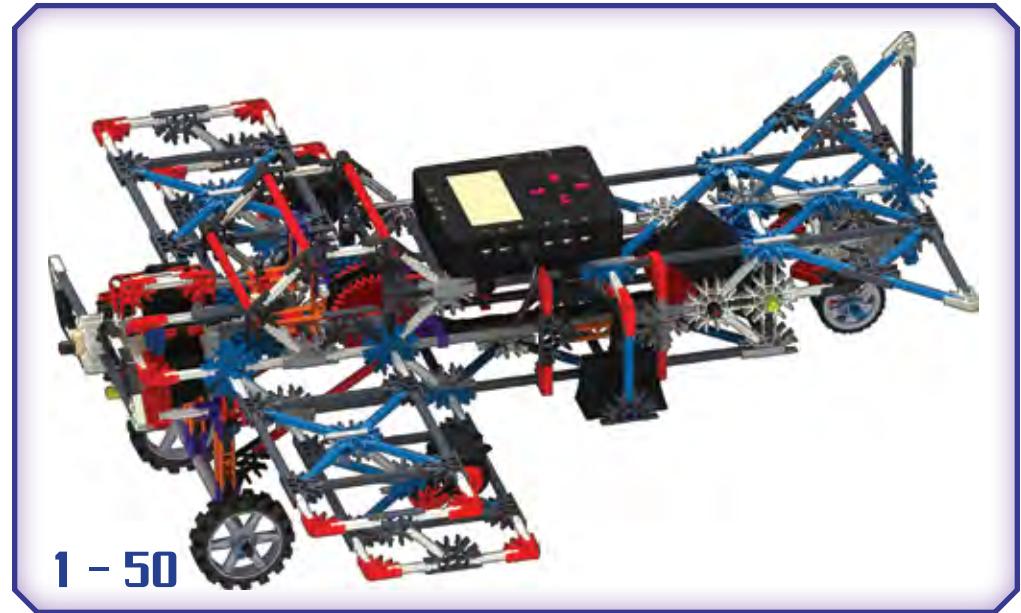
50



1 - 49

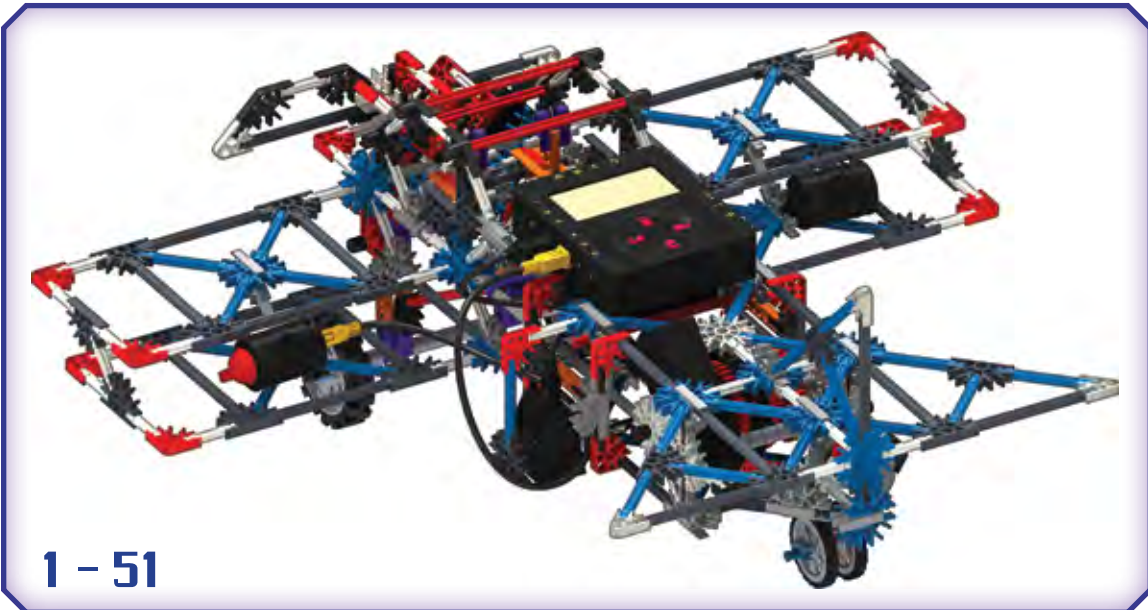
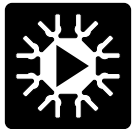
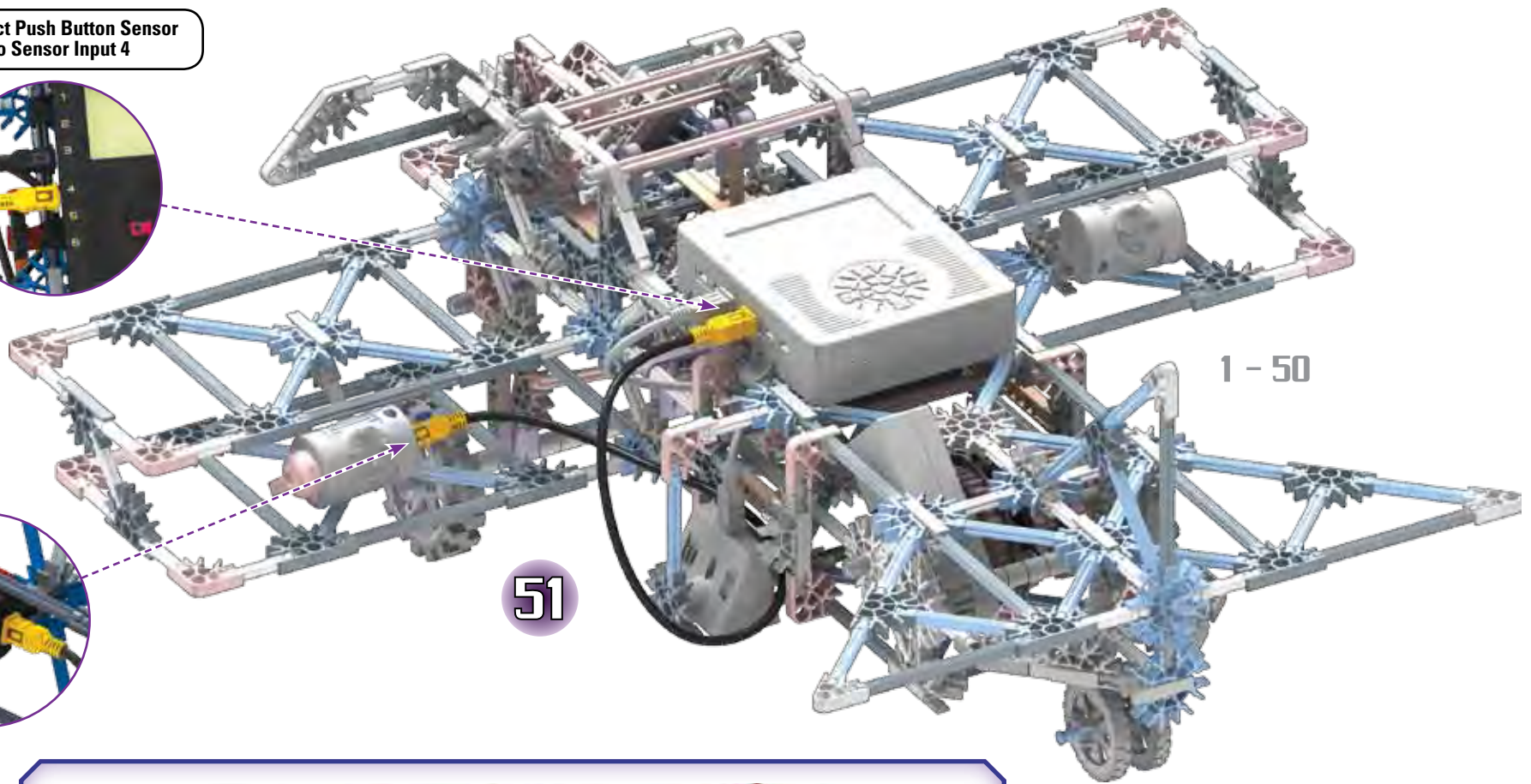


The plugs on the connection cables are directional and can only be inserted one way. FORCING plugs into connections the wrong way will damage the plug and component, voiding any warranties!





Connect Push Button Sensor to Sensor Input 4

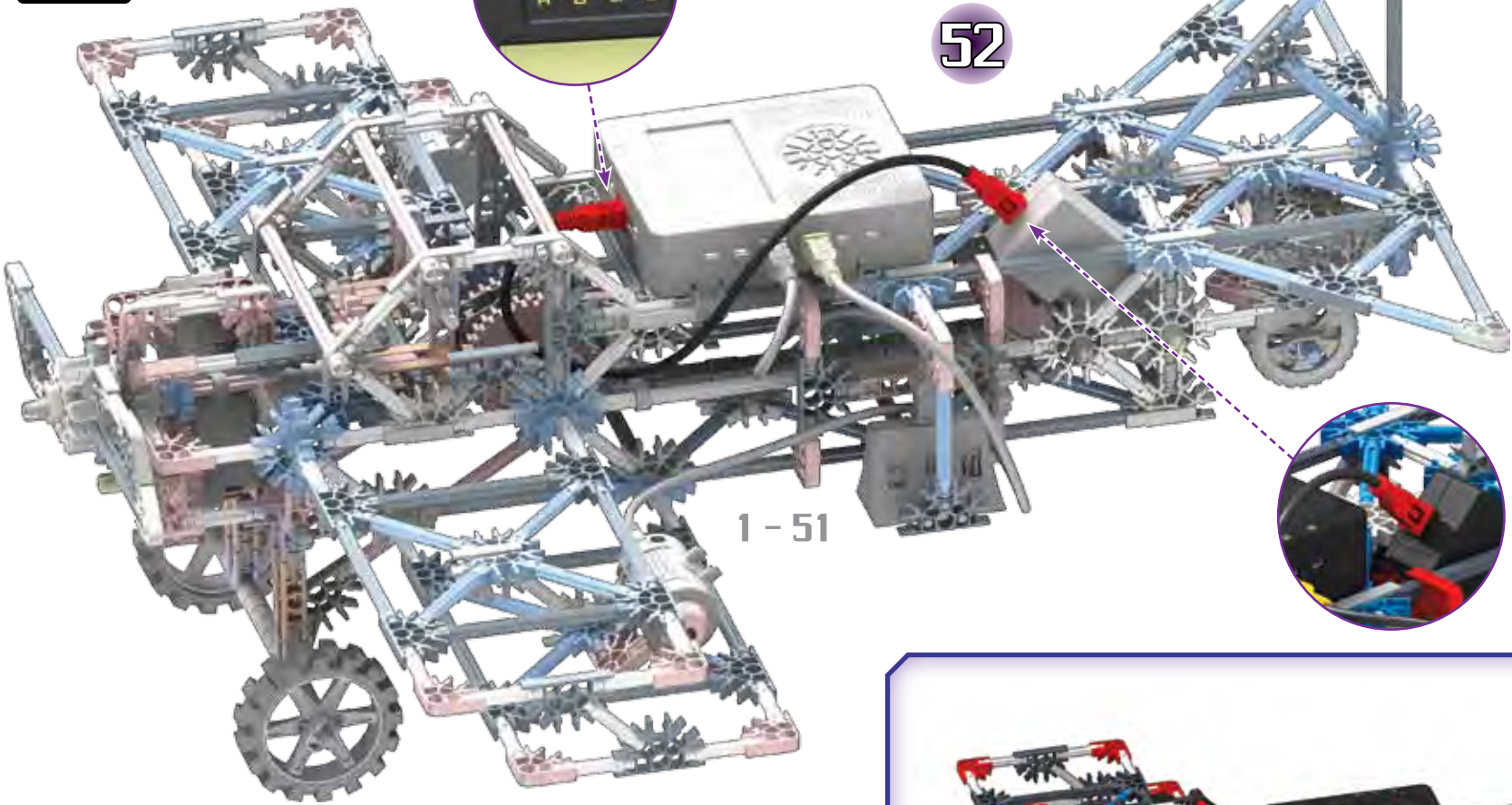




Connect Motor to Motor Output B



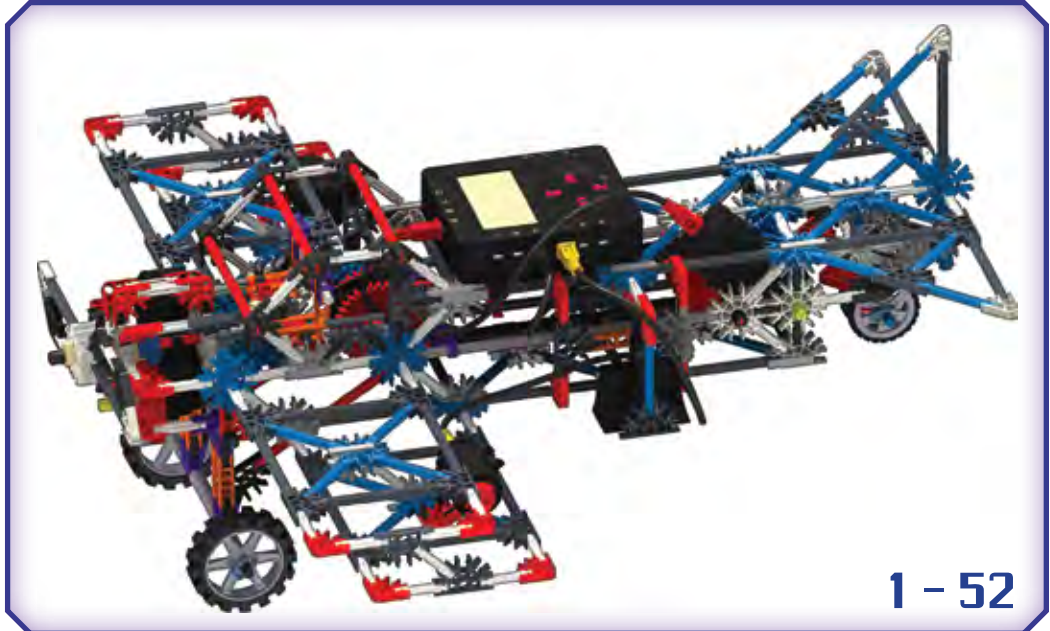
52



1 - 51

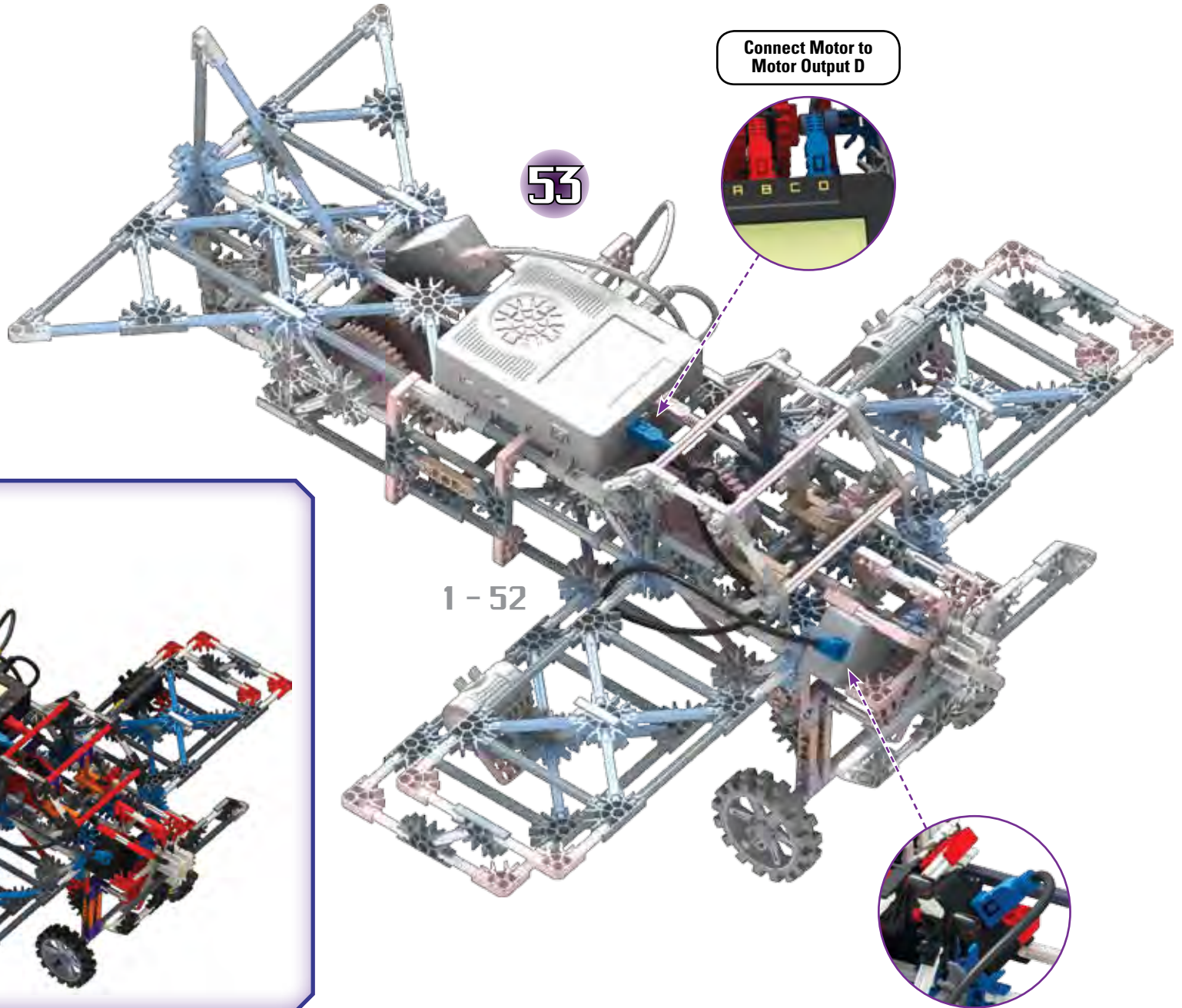
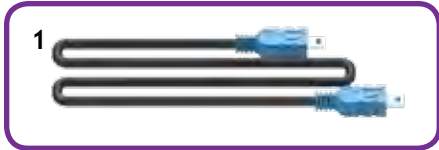


1



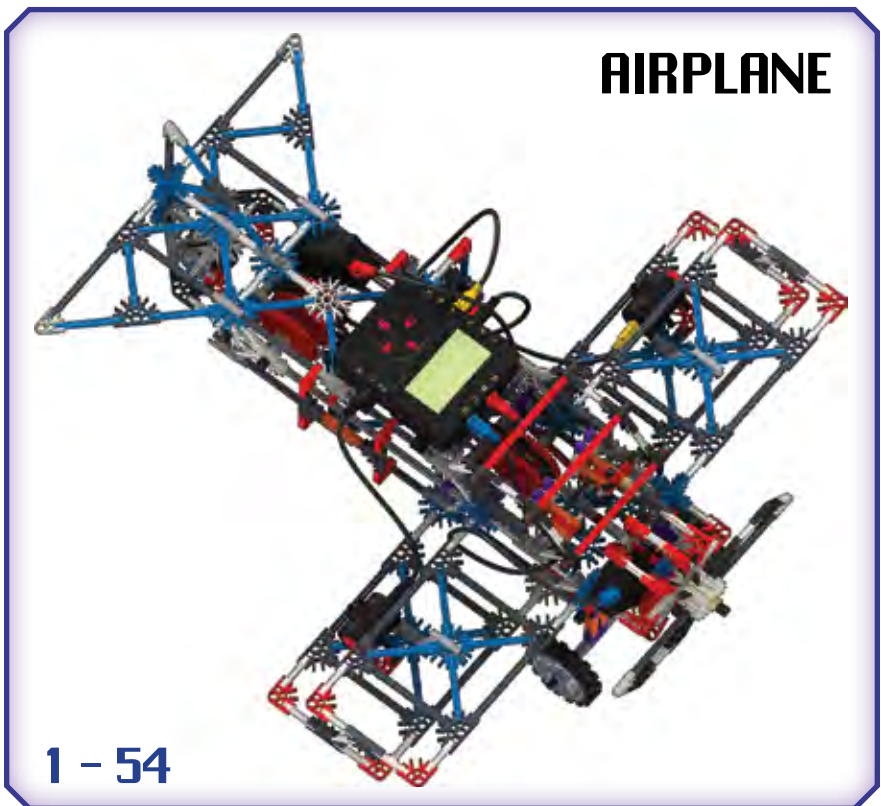
1 - 52







Top View



Connect Color/Light Sensor to LED Output ▲ 1



54

1 - 53

