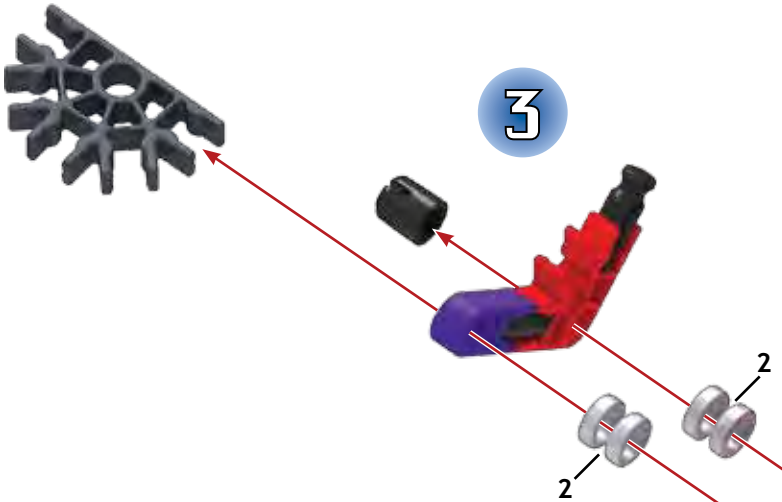
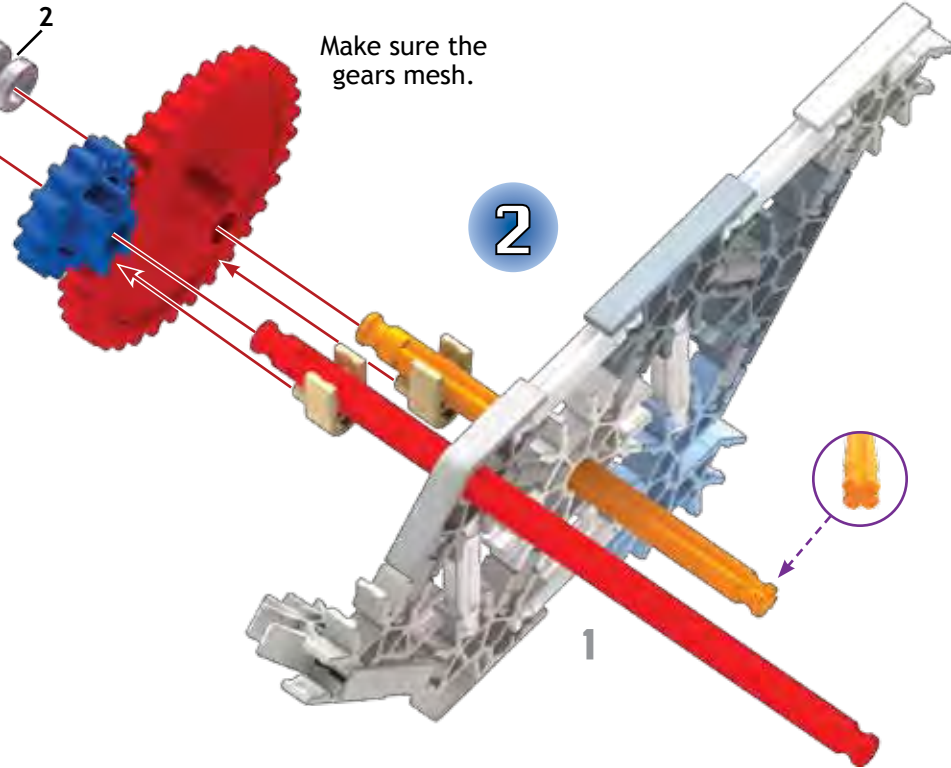


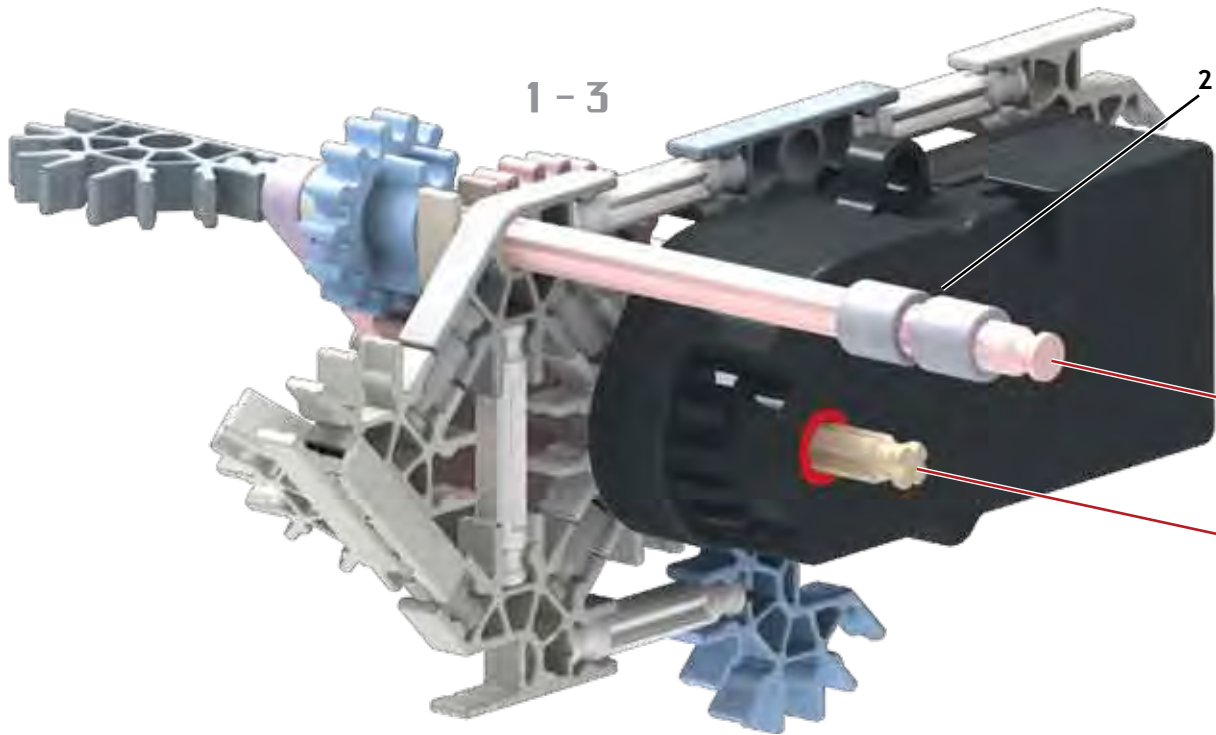














- |   |   |   |   |
|---|---|---|---|
| 4 | 1 | 1 | 1 |
| 1 | 2 | 1 | 1 |
| 2 | 1 | 1 | 1 |
| 1 | 1 | 1 | 1 |
| 1 | 1 | 1 | 1 |



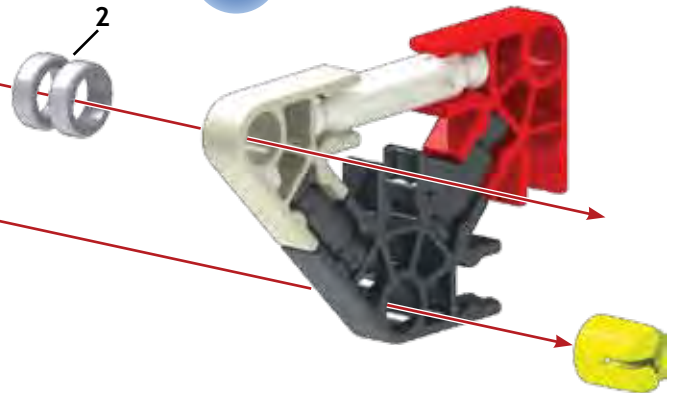
Make sure the gears mesh.





- |   |   |   |   |   |   |   |
|---|---|---|---|---|---|---|
| 1 |  | 2 |  | 2 |  |  |
| 2 |  | 1 |  | 1 |  |   |
| 1 |  | 1 |  | 1 |  |   |
| 1 |  | 1 |  |   |   |   |

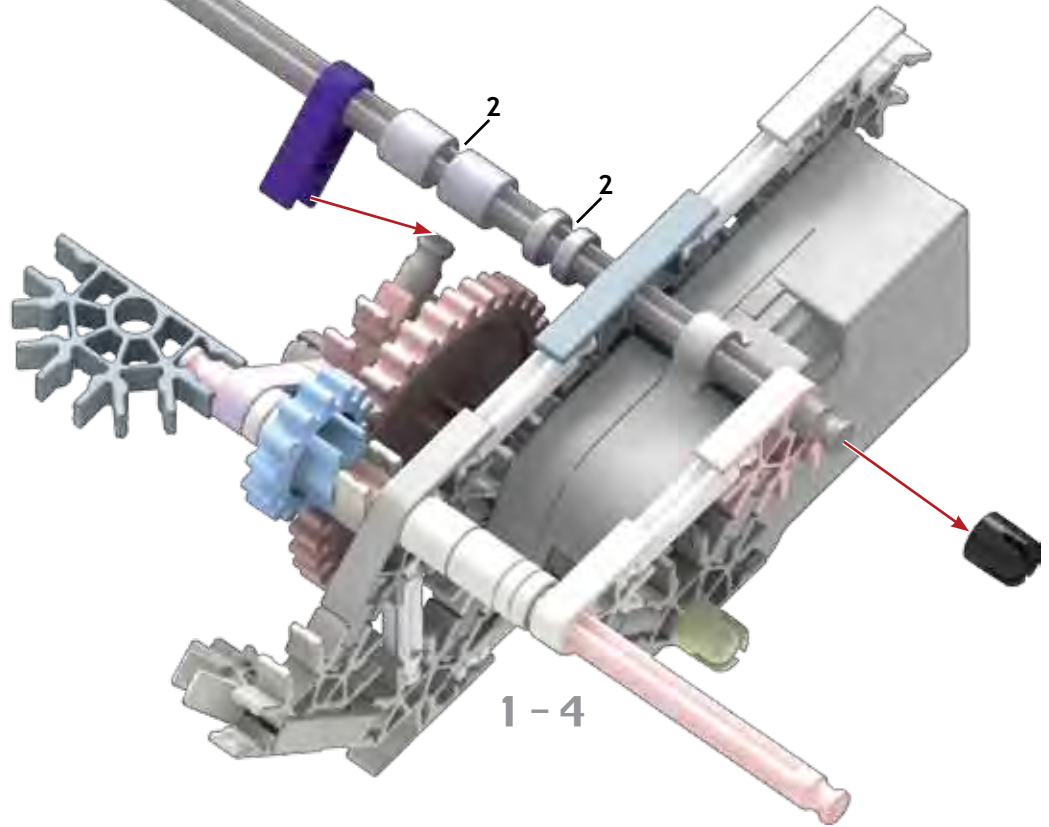
4



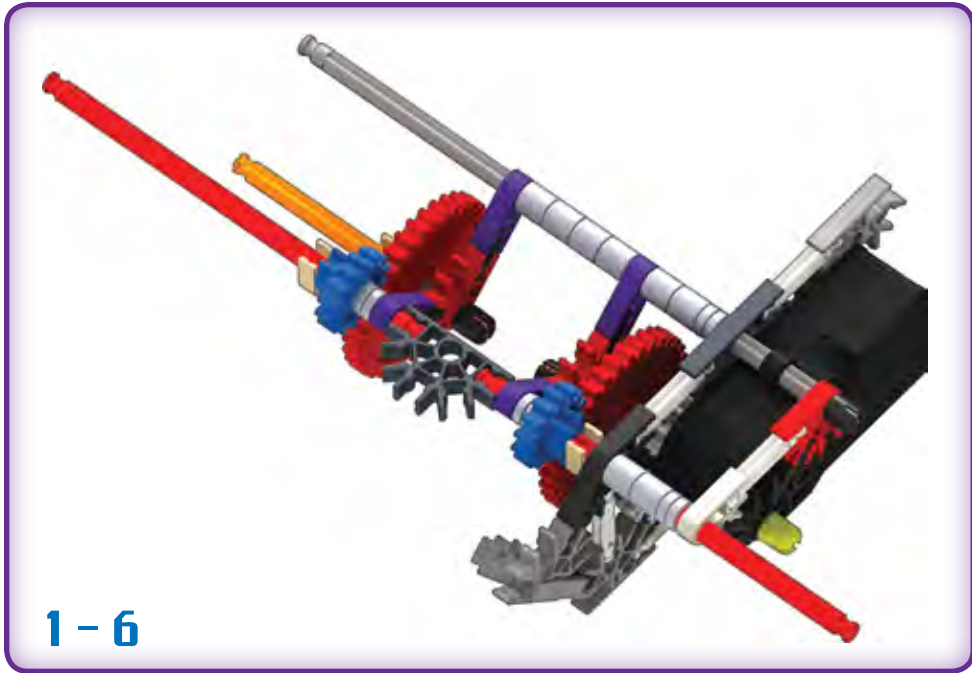
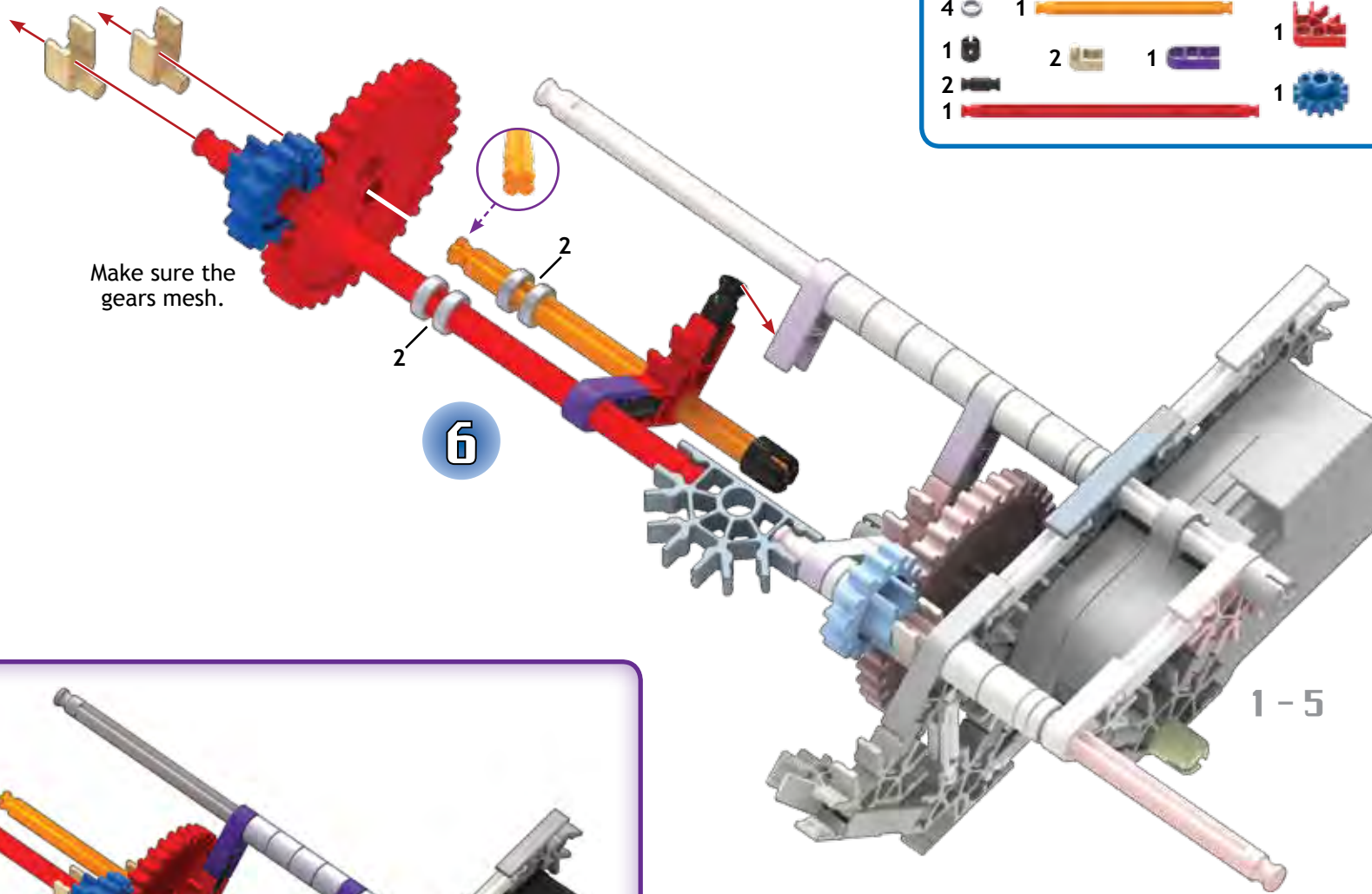


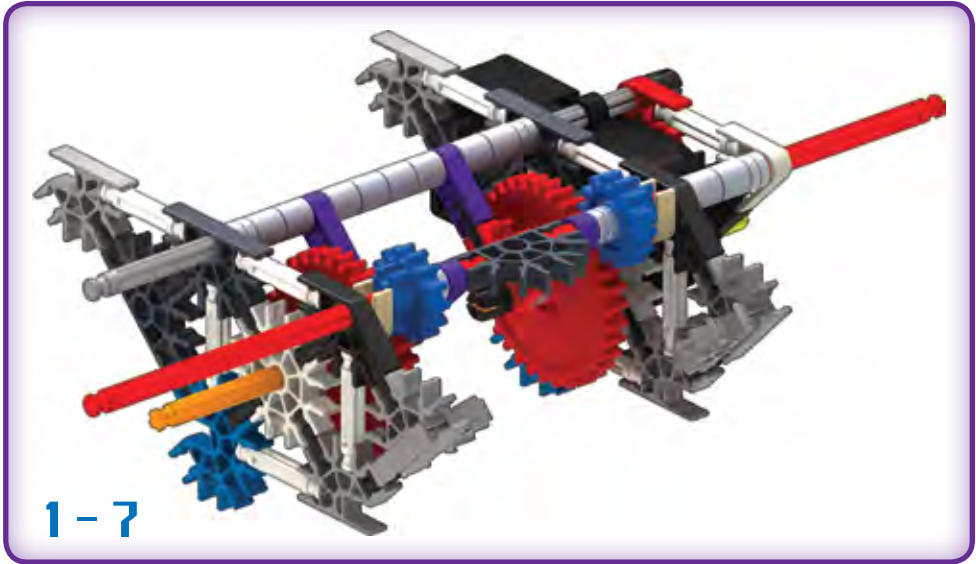
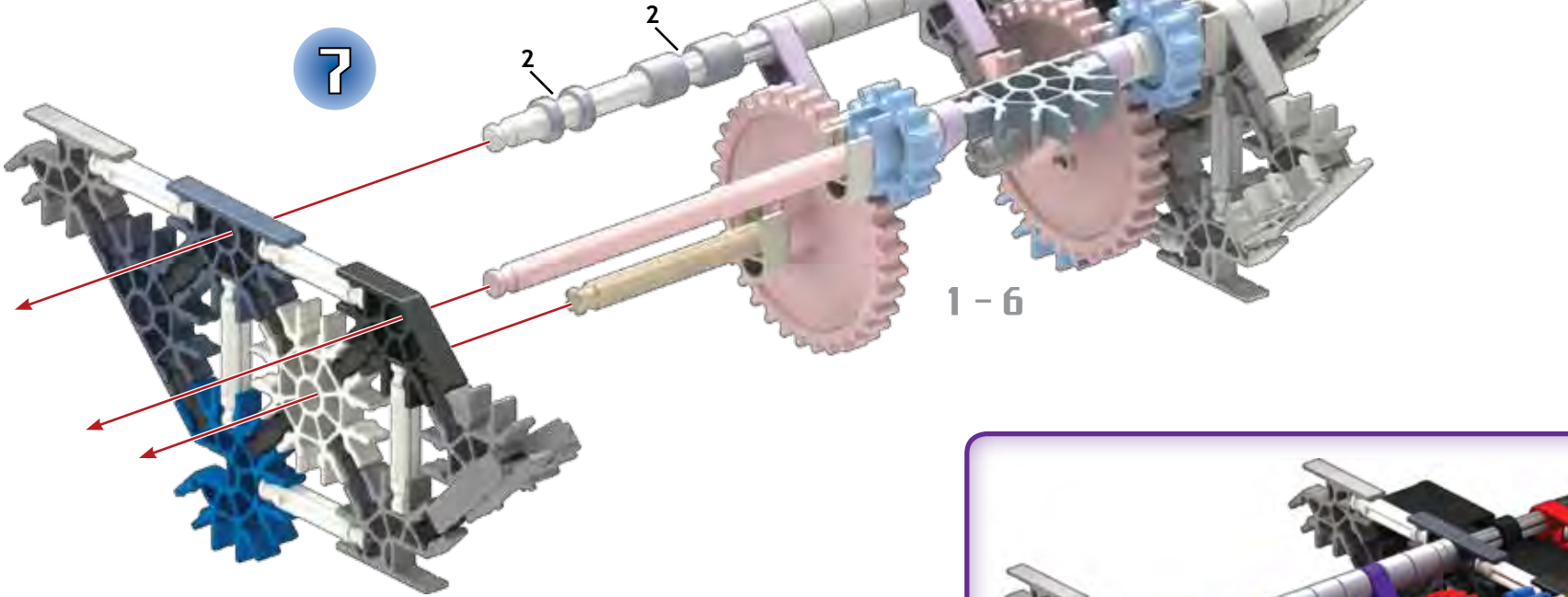
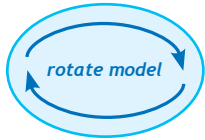
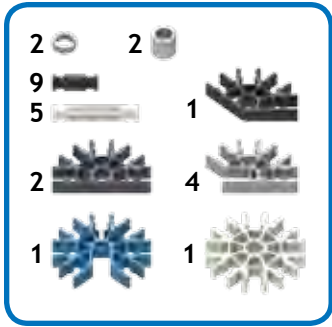


5

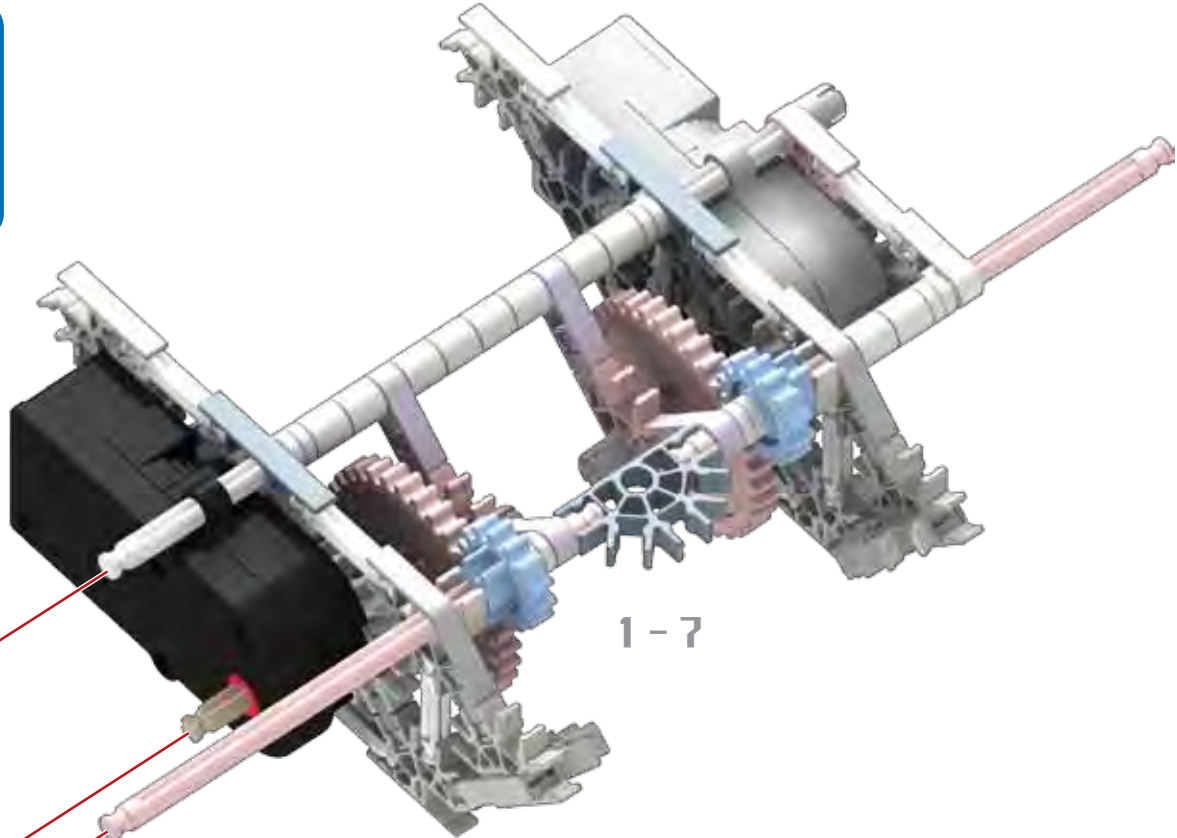


1-5

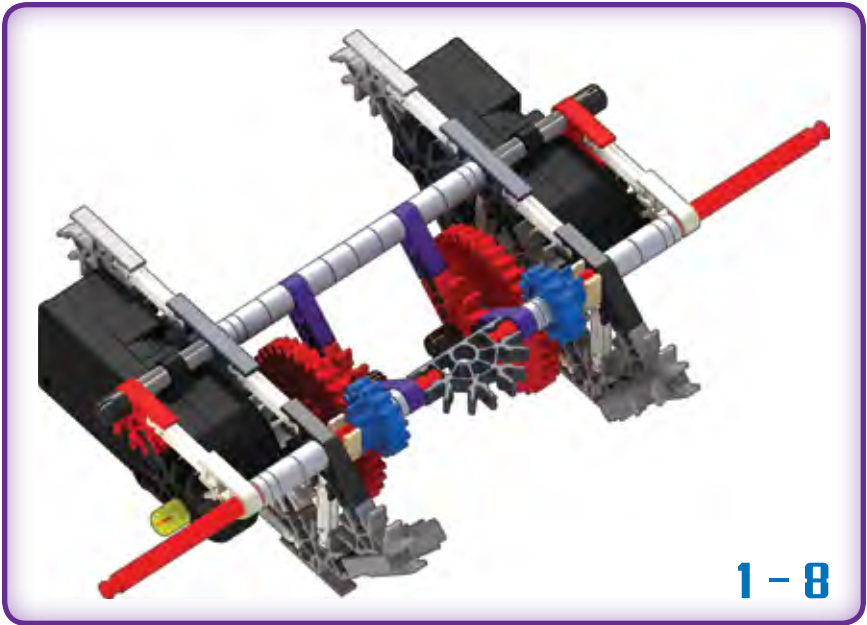
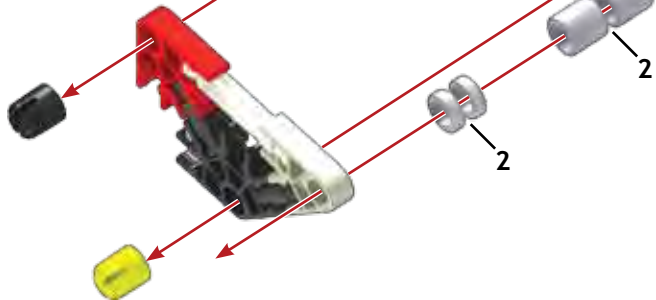








8





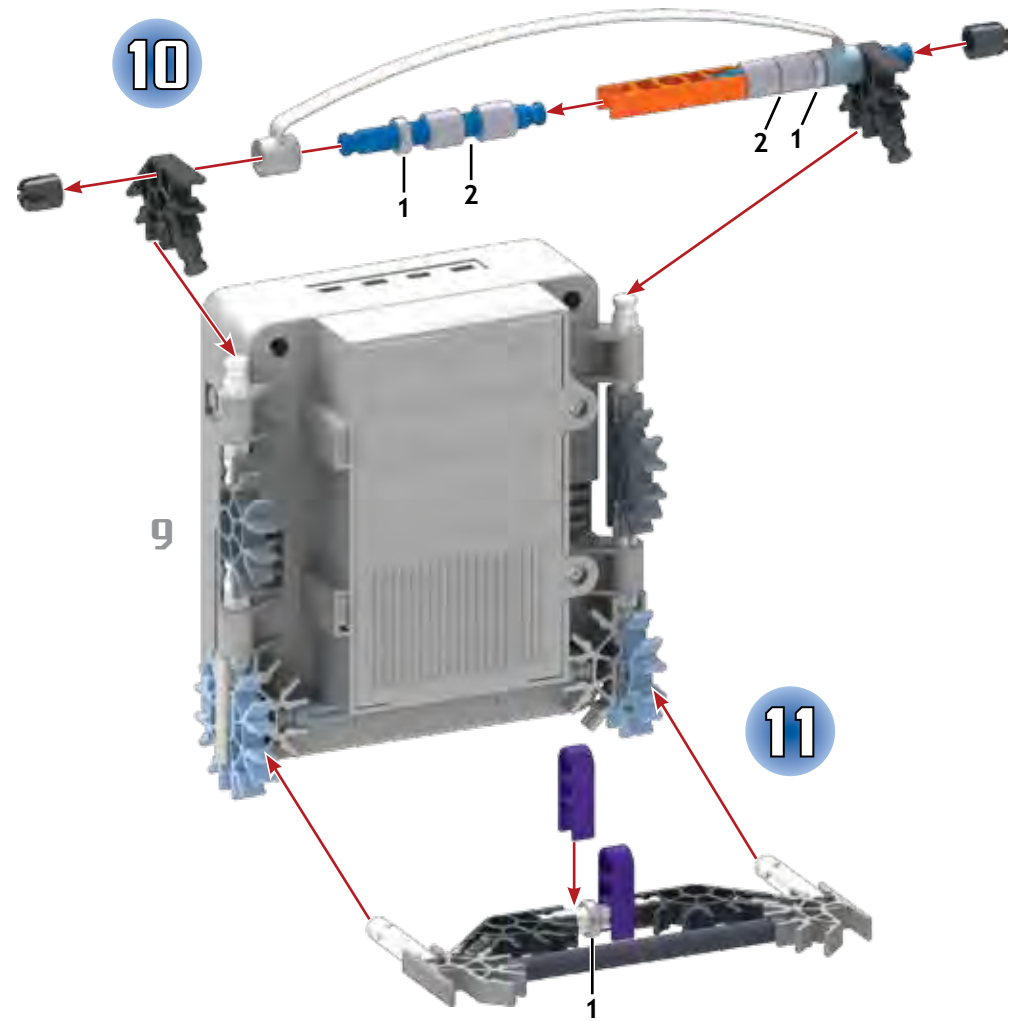
9

Did you install 6 AA (or LR6) batteries in the Control Box?



9

8 CAR BOT



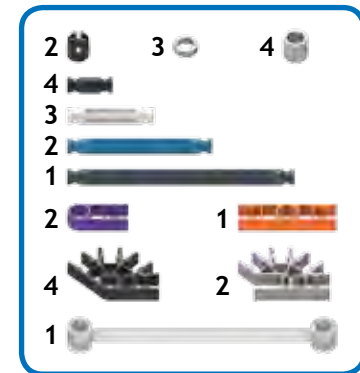
10

9

11

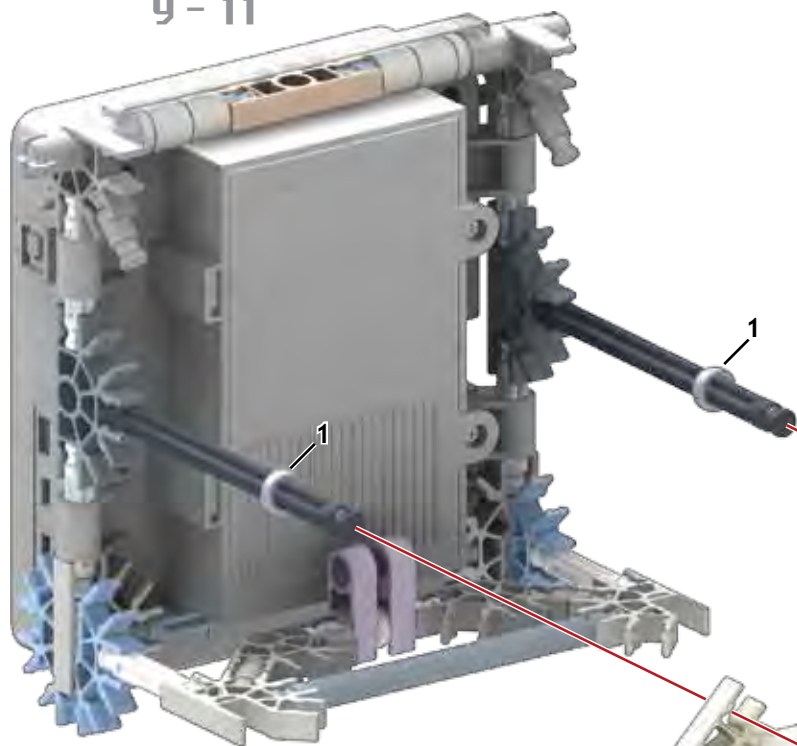


9-11

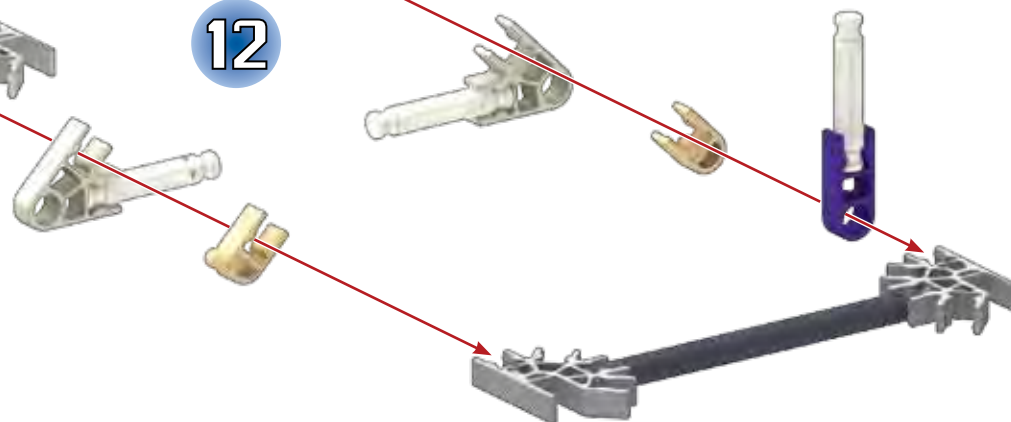




9 - 11

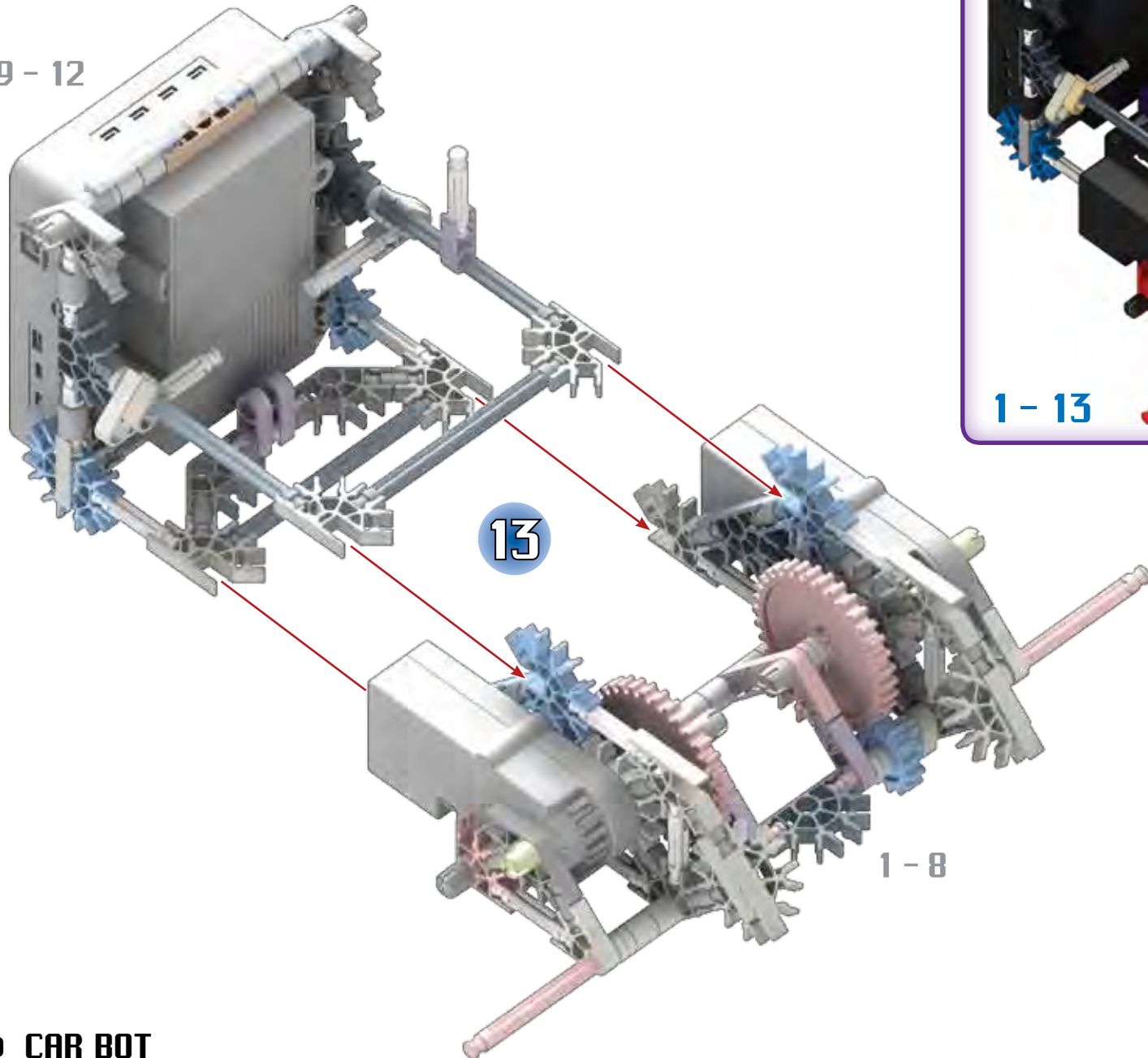


12



- 2
- 3
- 3
- 2 1
- 2 2

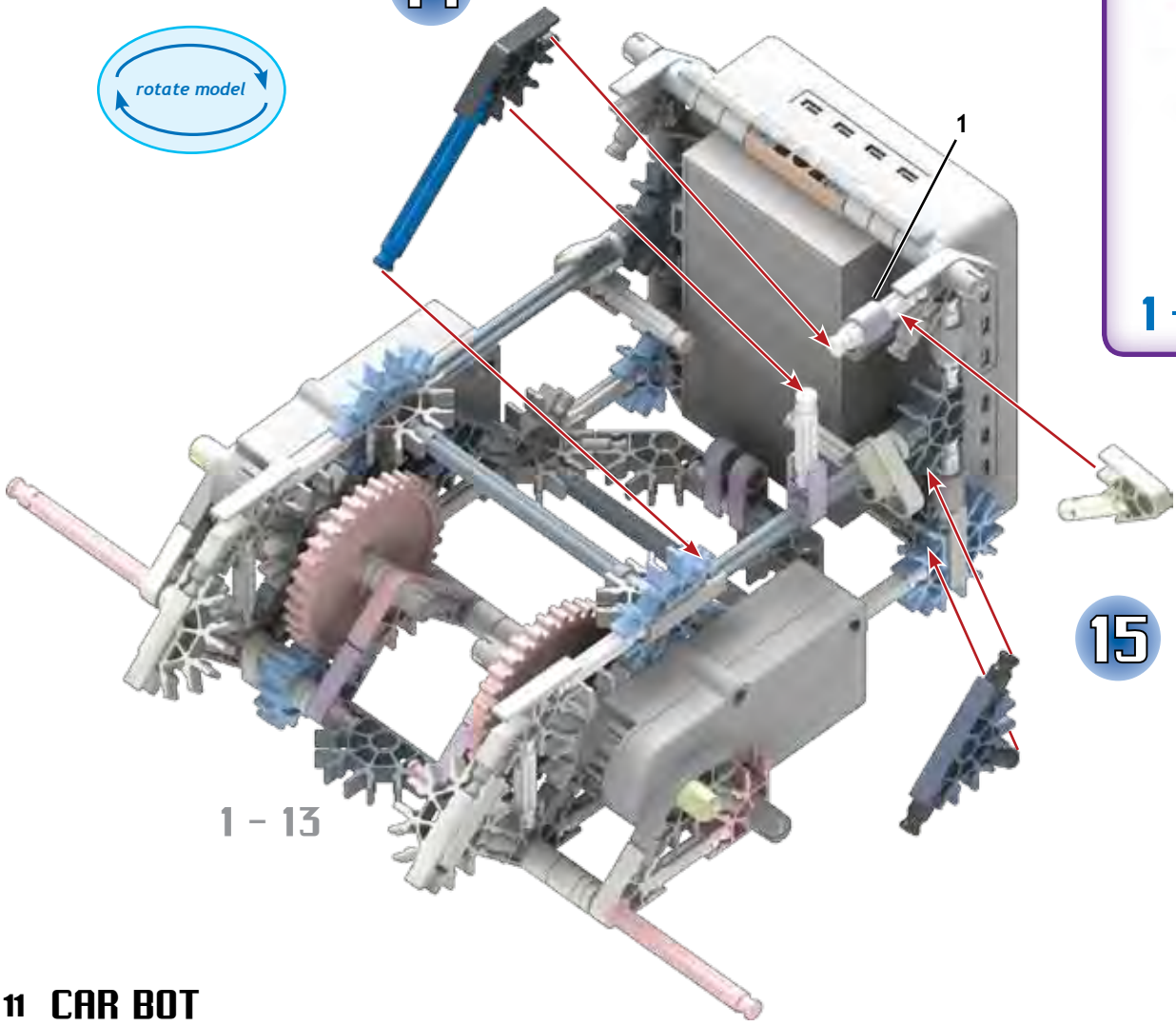
9 - 12



- 3  1  1 
- 2  1 
- 1 
- 1  1 

rotate model

14



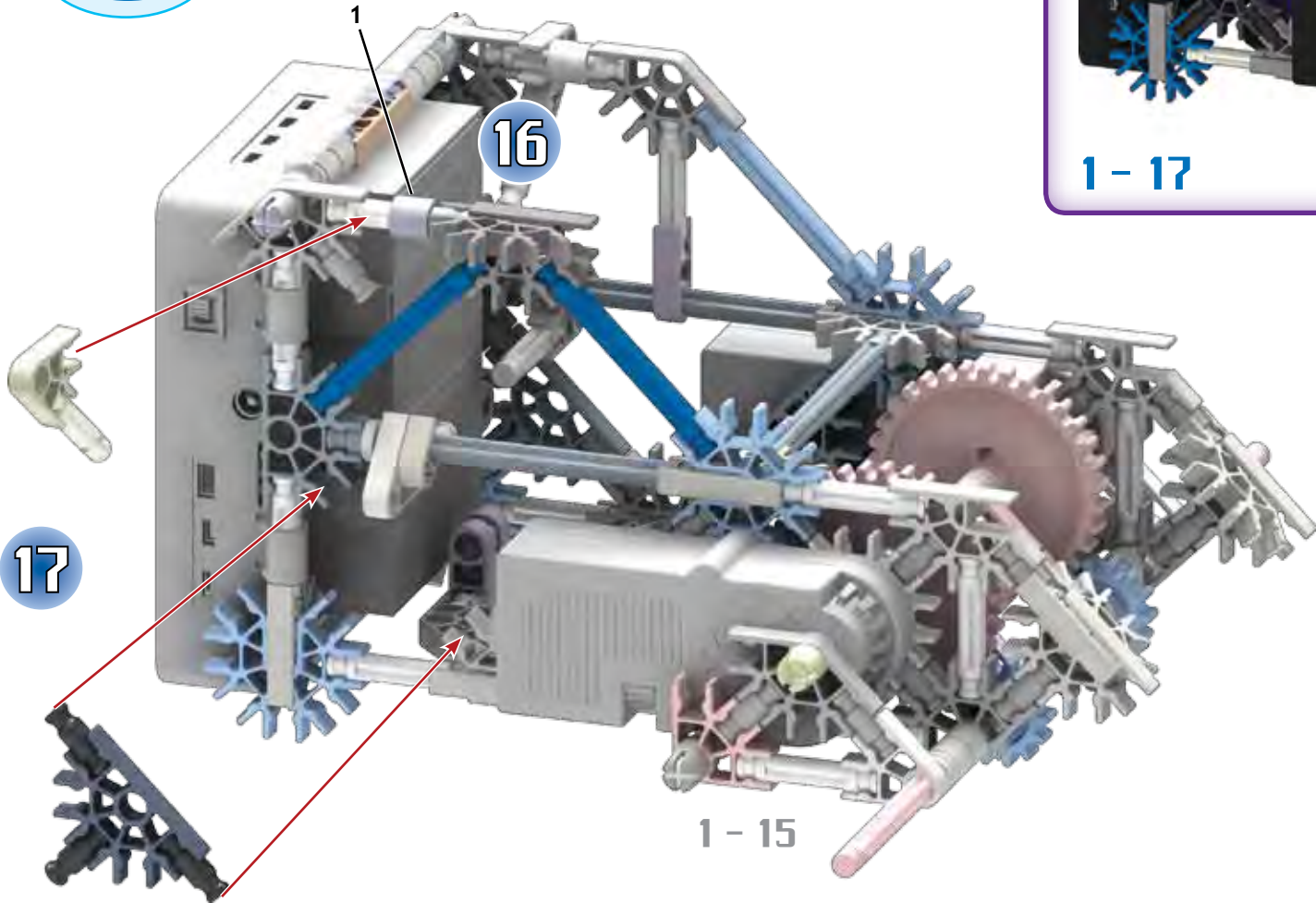
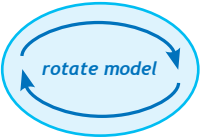
1 - 13

15



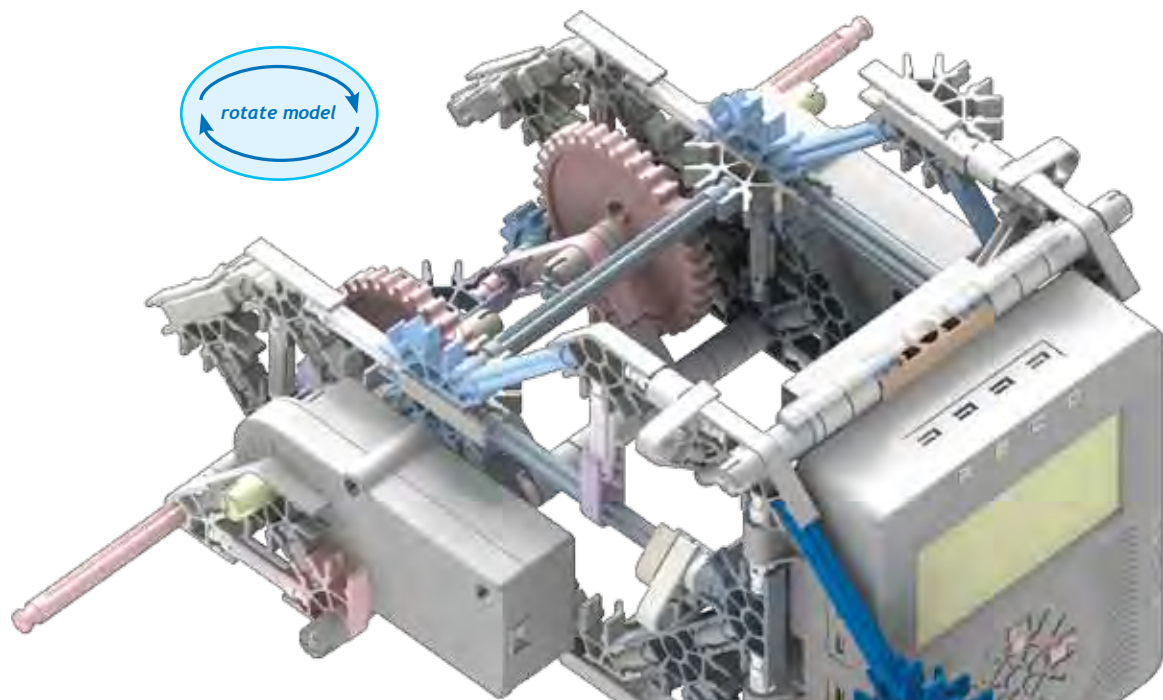
1 - 15





rotate model

- |   |  |   |  |
|---|--|---|--|
| 4 |  | 2 |  |
| 4 |  |   |  |
| 2 |  |   |  |
| 2 |  | 3 |  |
| 2 |  | 1 |  |



1 - 17

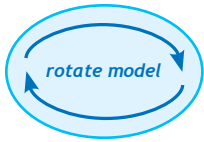
18

19

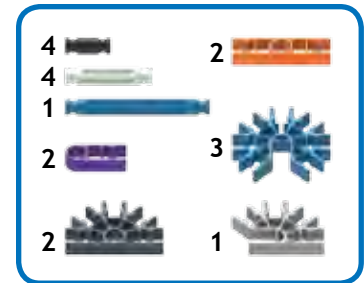
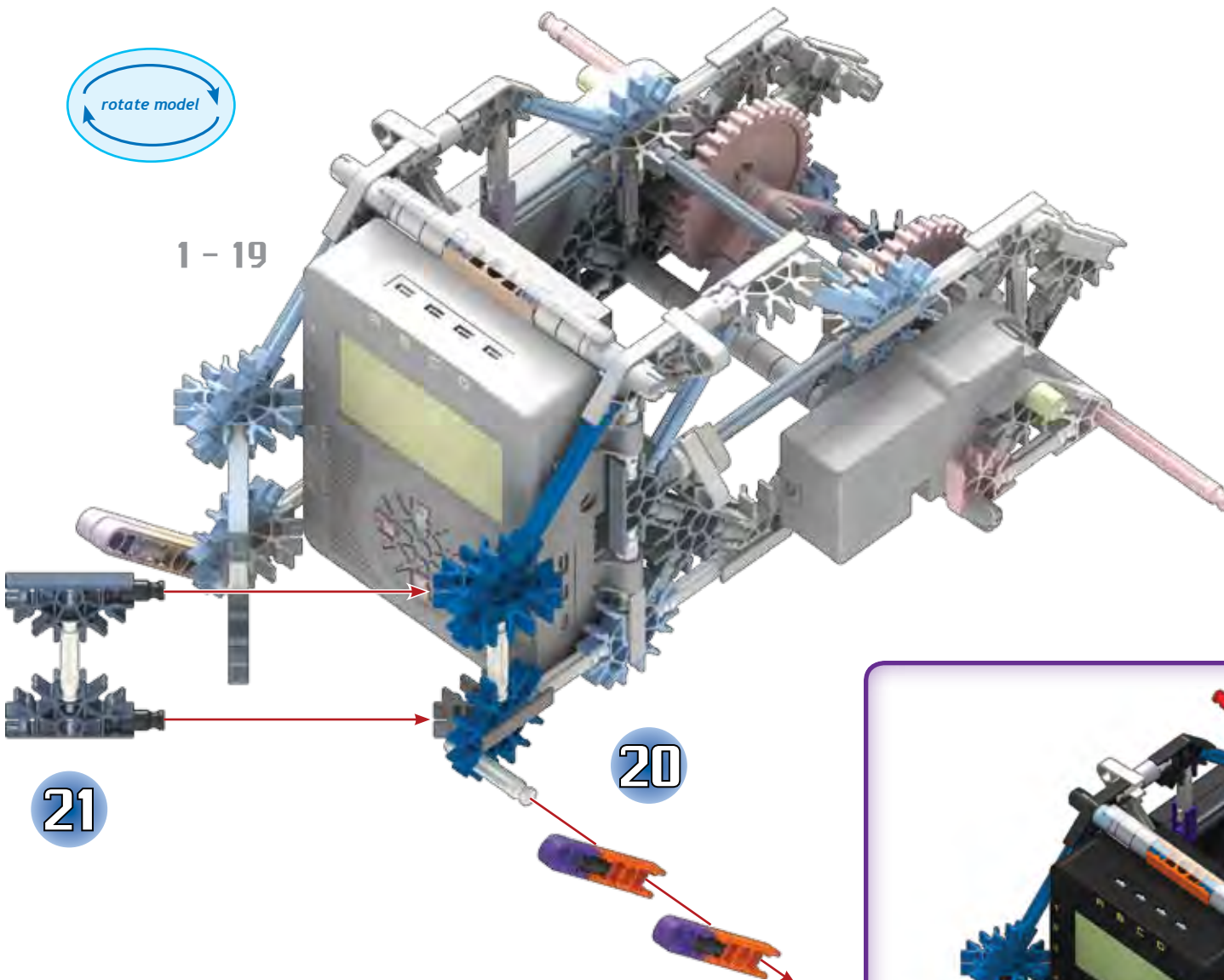


1 - 19





1 - 19



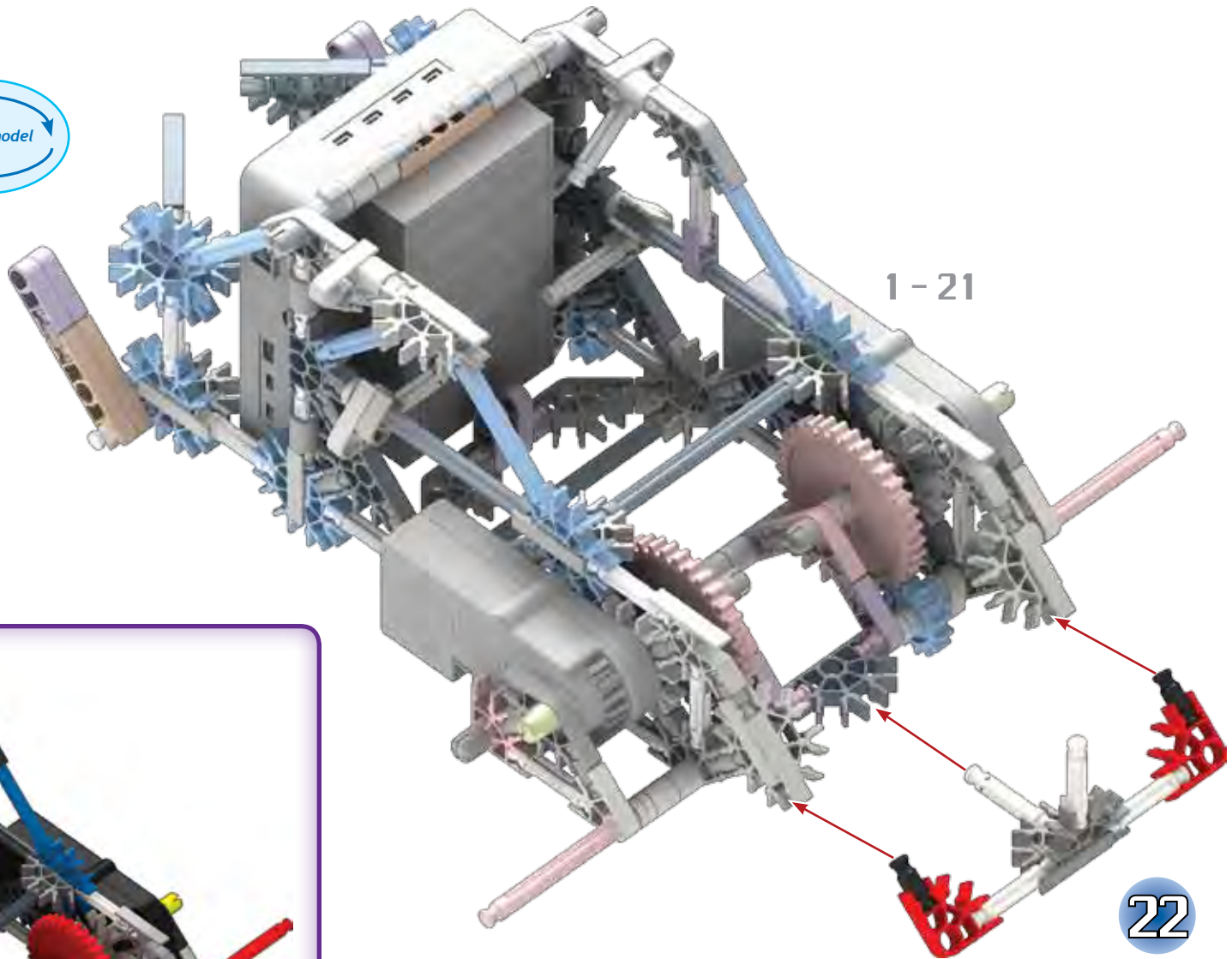
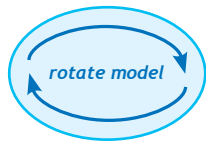
21

20

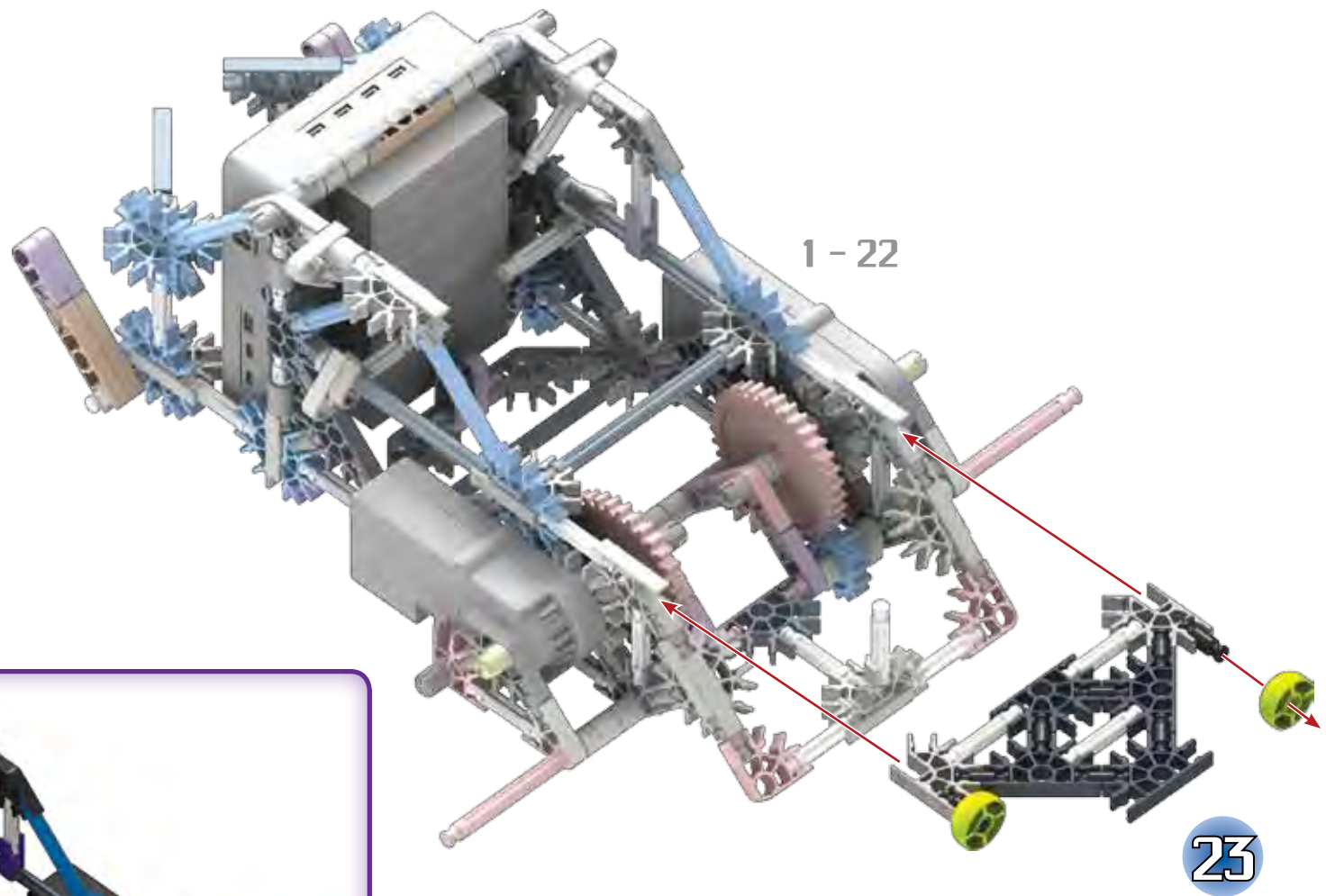


1 - 21



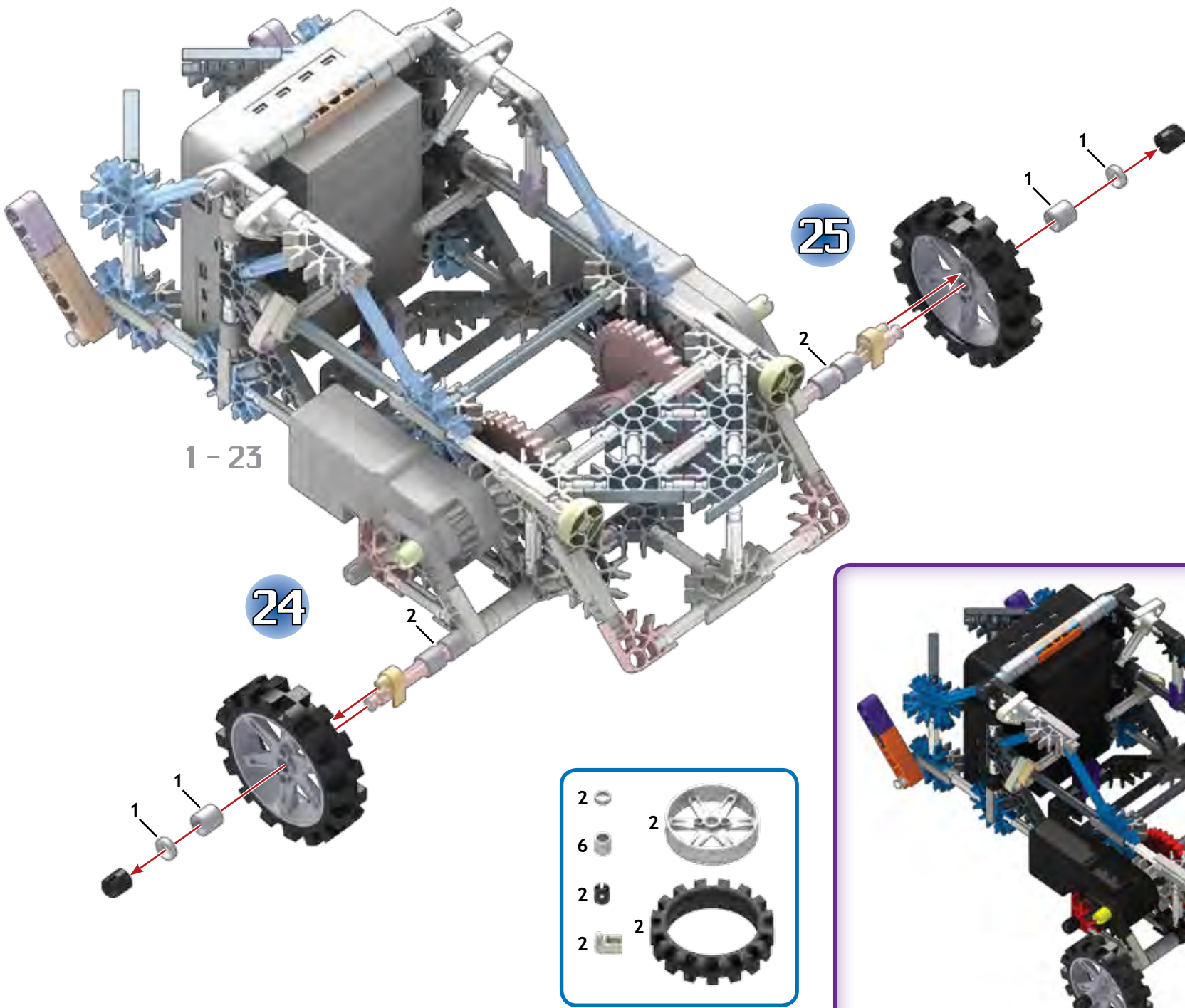


- 2 [black pin]
- 4 [grey axle]
- 2 [red gear]
- 2 [grey gear]



- |   |  |   |  |
|---|--|---|--|
| 8 |  | 2 |  |
| 3 |  | 2 |  |
| 4 |  |   |  |




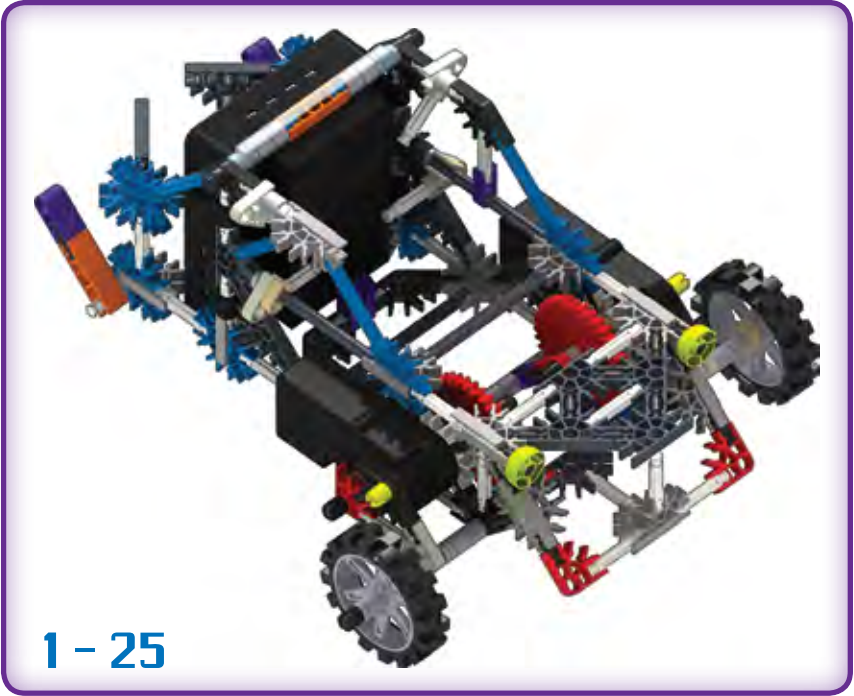


1 - 23

24

25

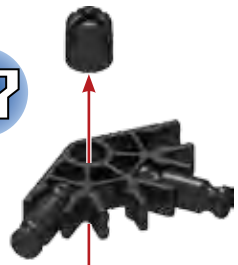
- 2 
- 6 
- 2 
- 2 
- 2 
- 2 



1 - 25



27



1

1

3

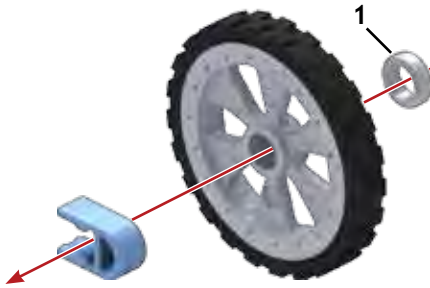
26

1



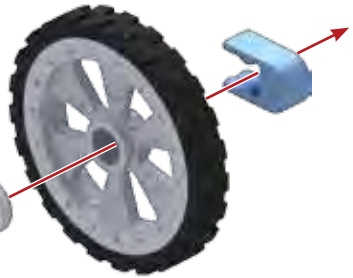
28

26 - 27



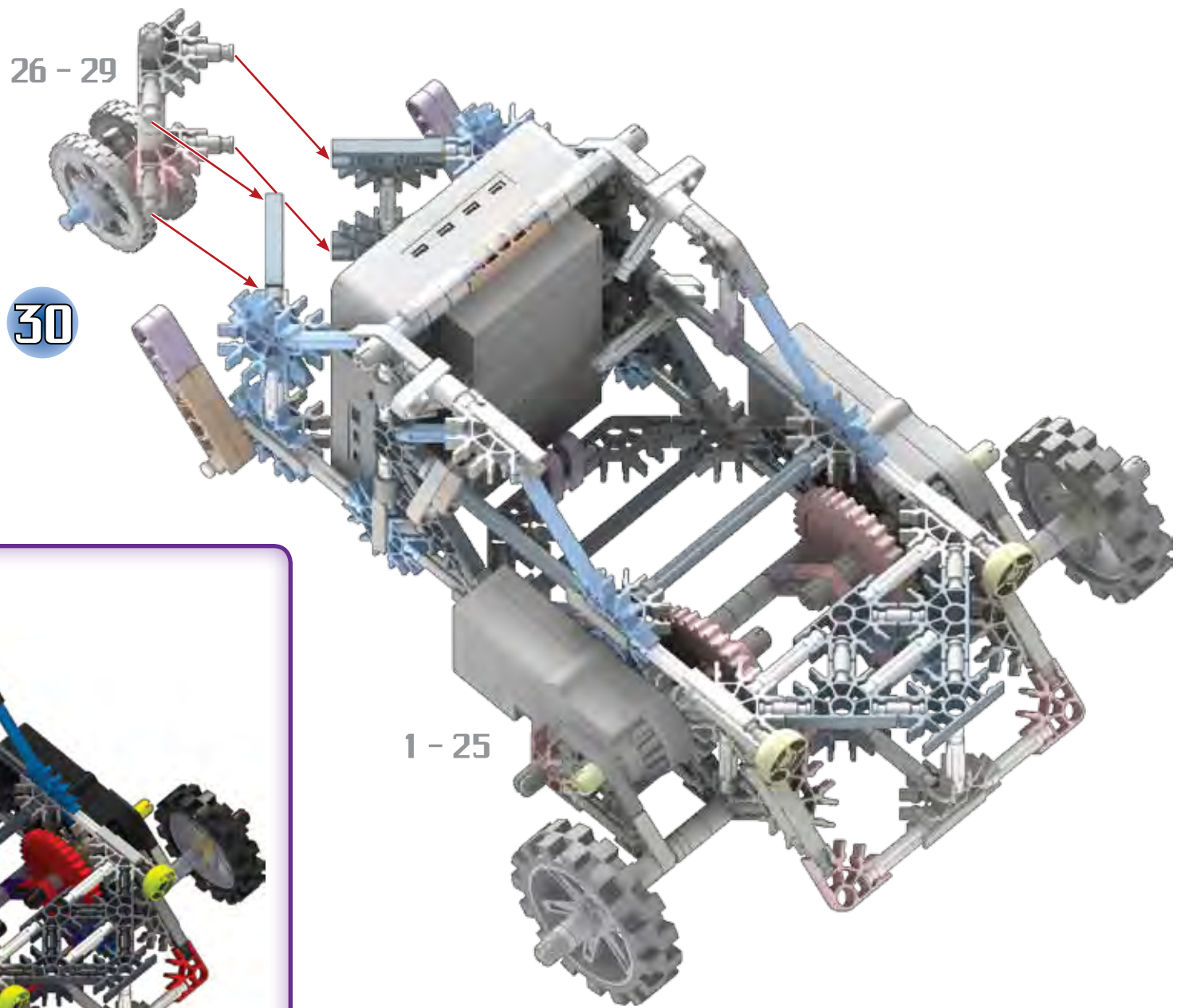
1

29



1

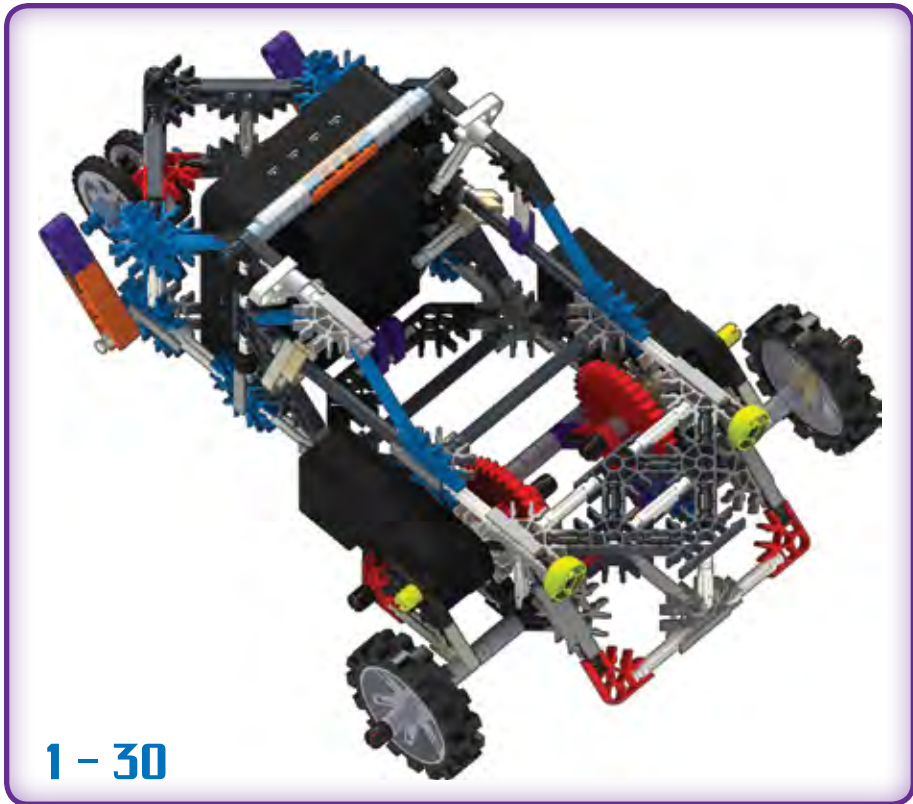




26 - 29

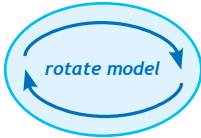
30

1 - 25

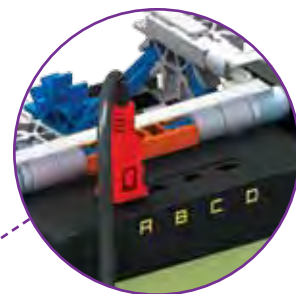


1 - 30

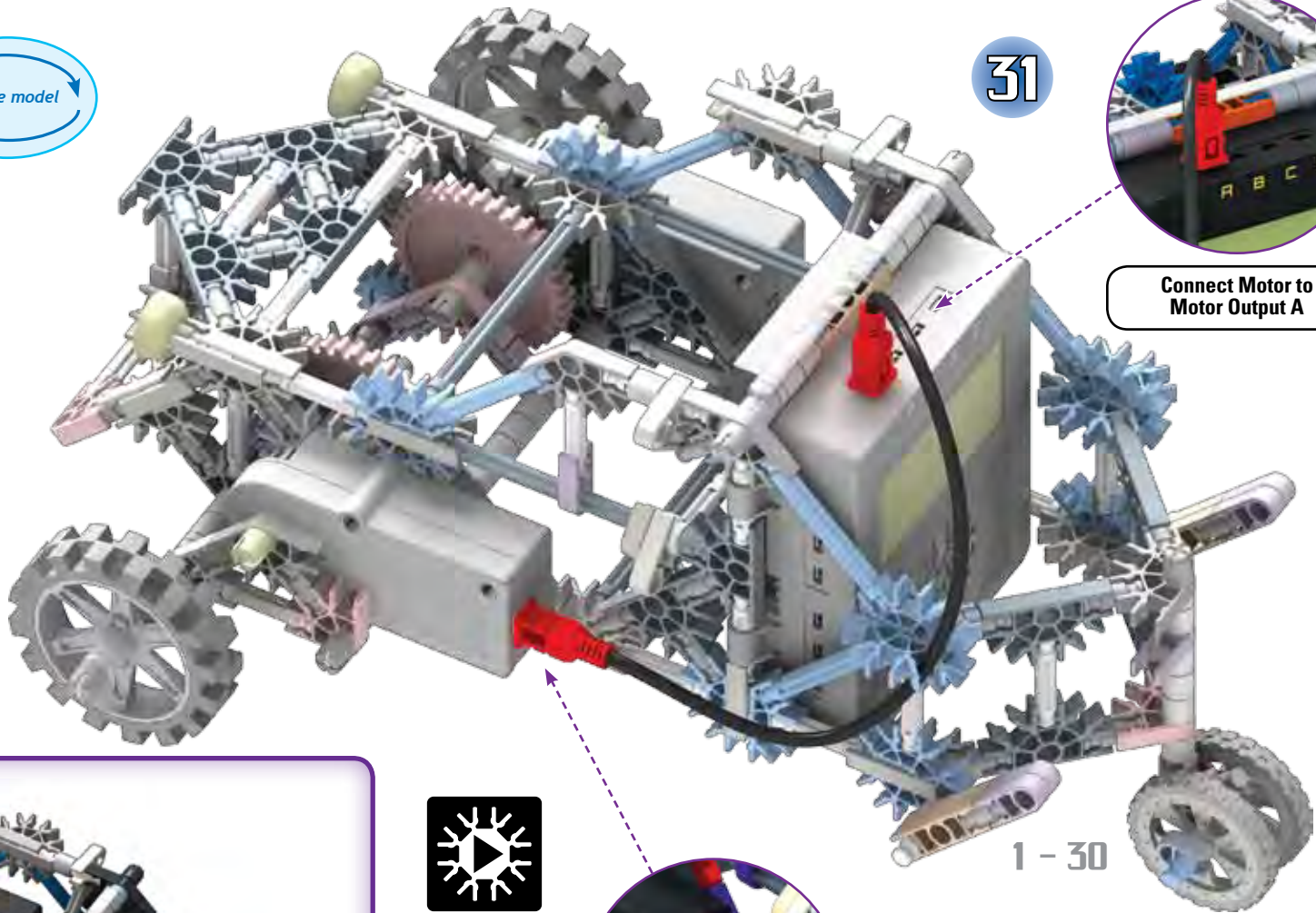




31



Connect Motor to Motor Output A



The plugs on the connection cables are directional and can only be inserted one way. **FORCING** plugs into connections the wrong way will damage the plug and component, voiding any warranties!



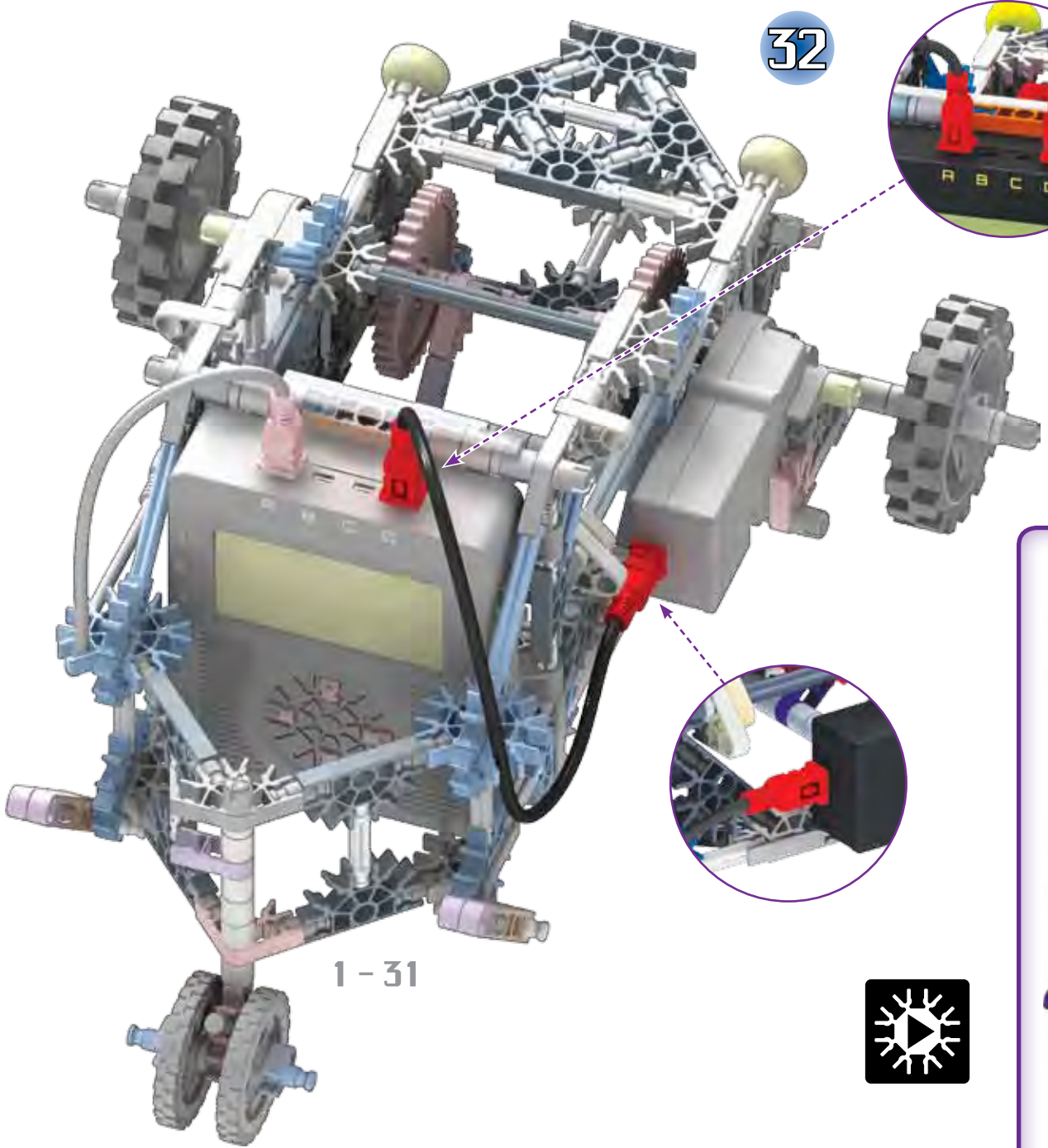
1 - 31



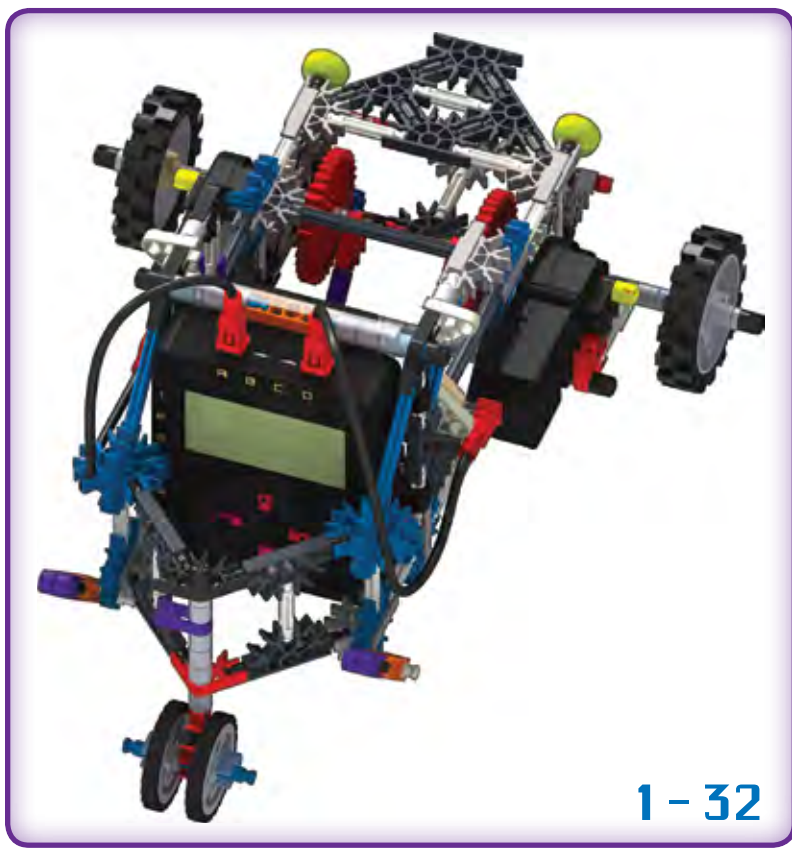
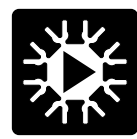
32



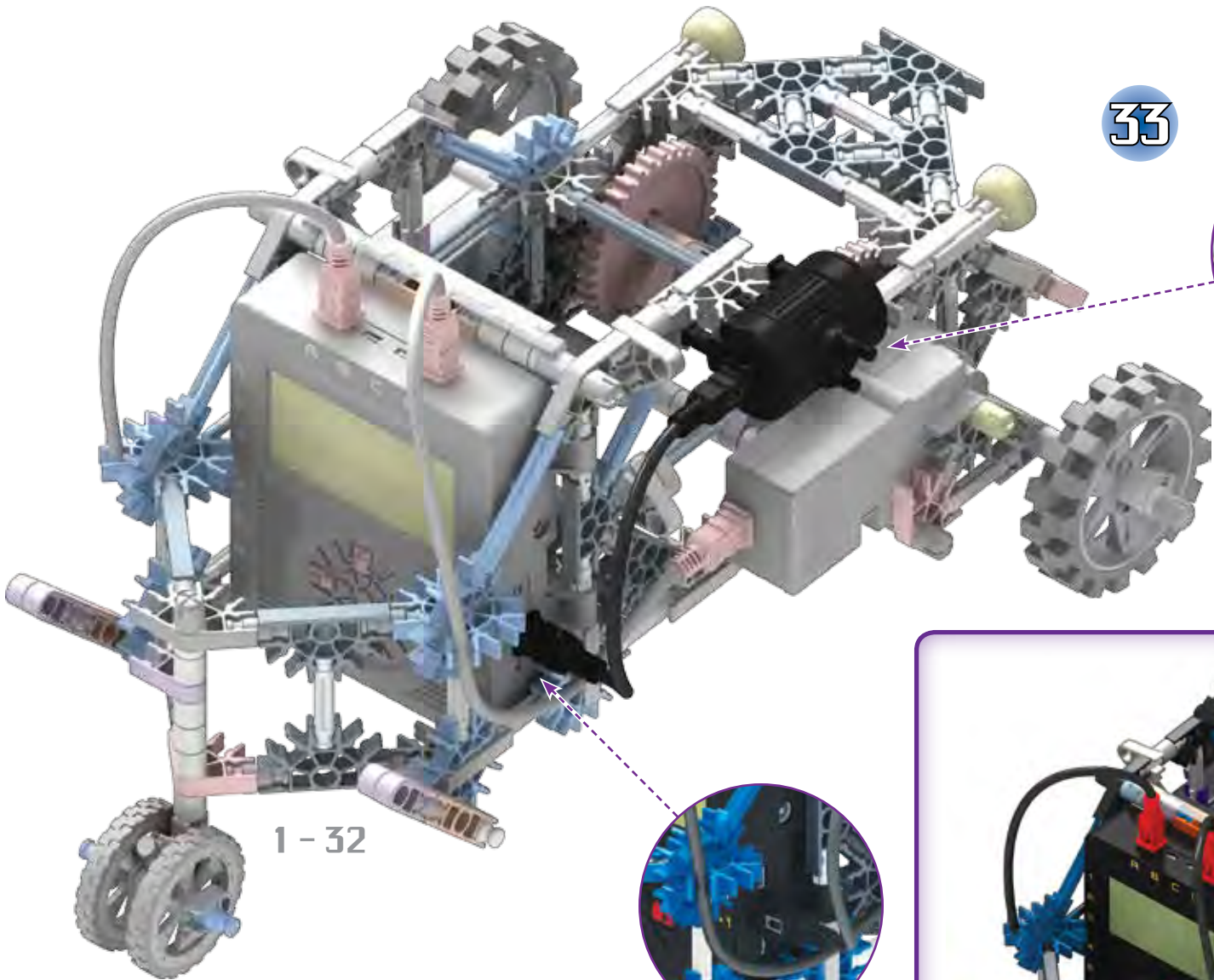
Connect Motor to Motor Output D



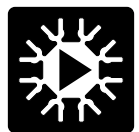
1 - 31



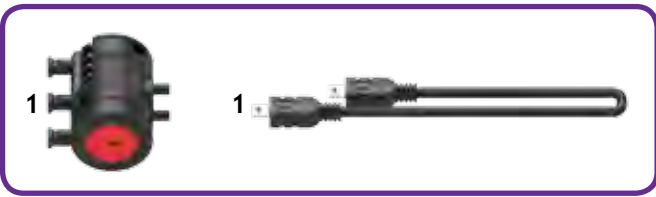
1 - 32



33

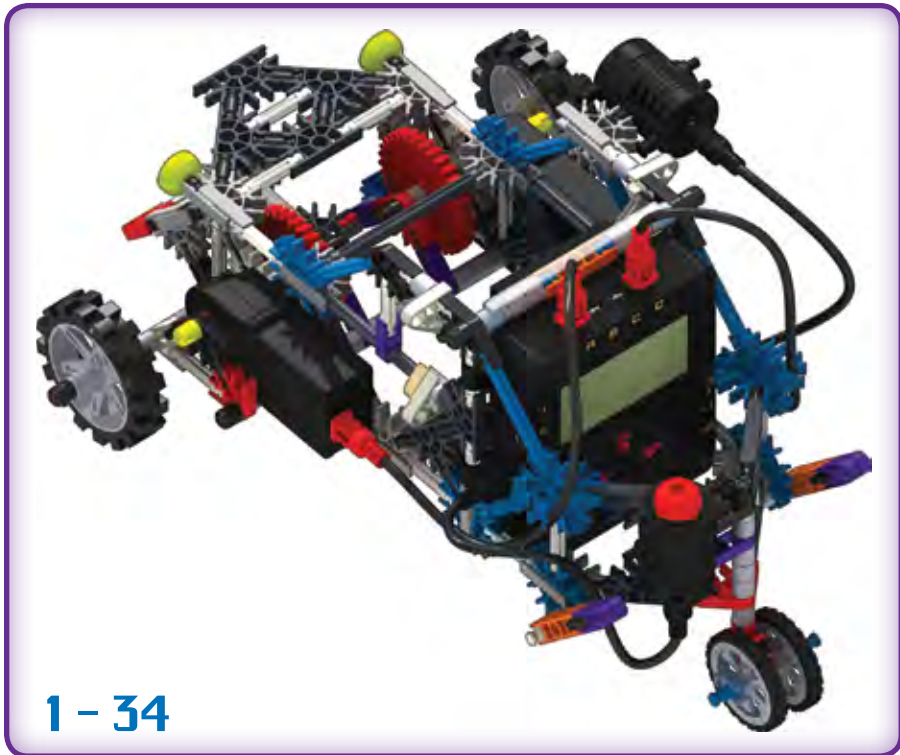
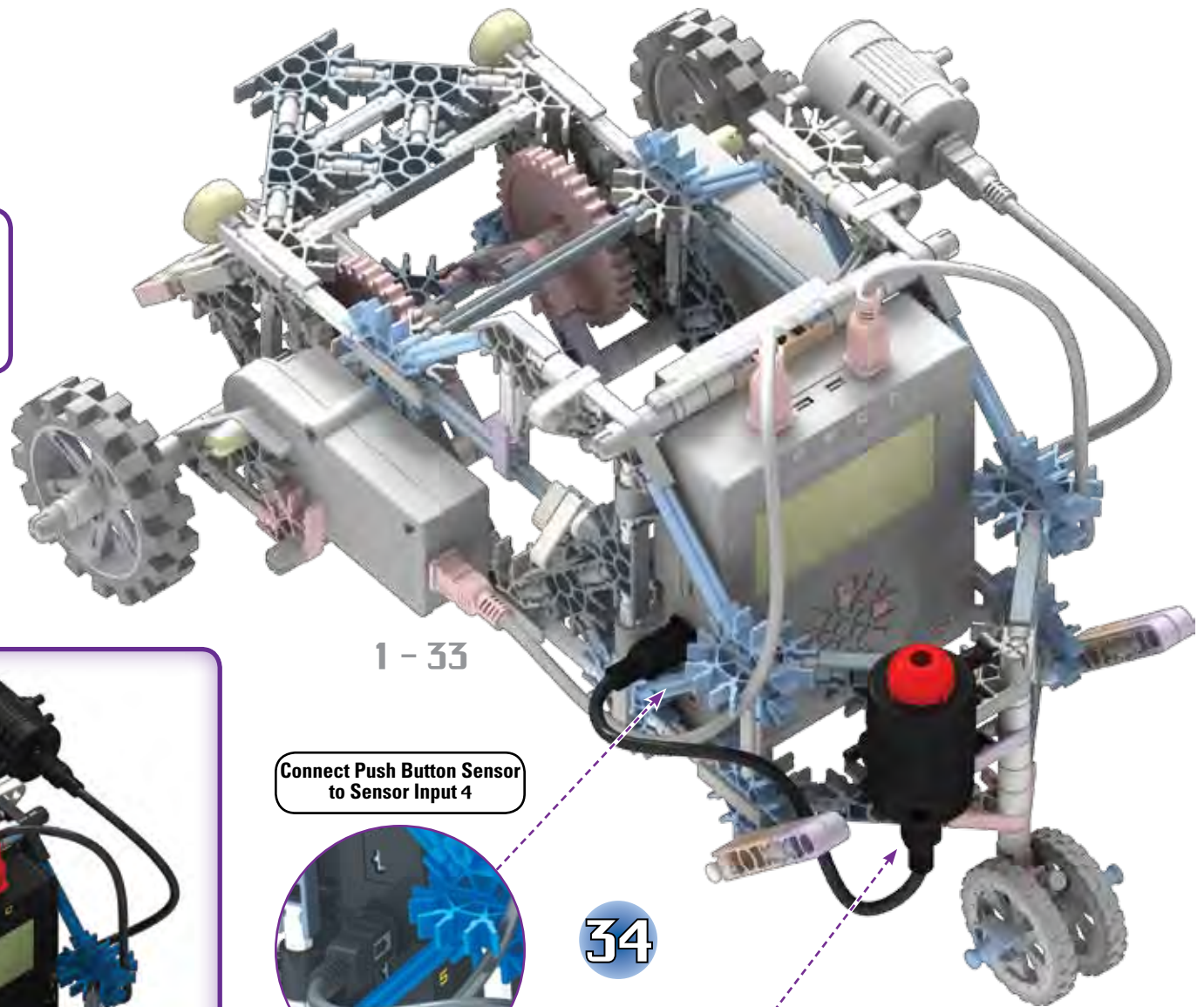
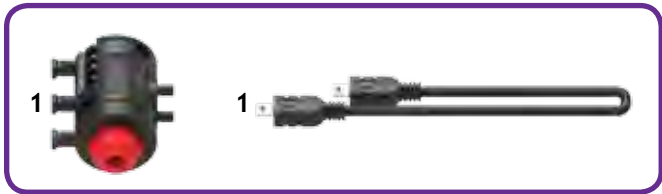


Connect LED to LED Output ▲ 1



1 - 33



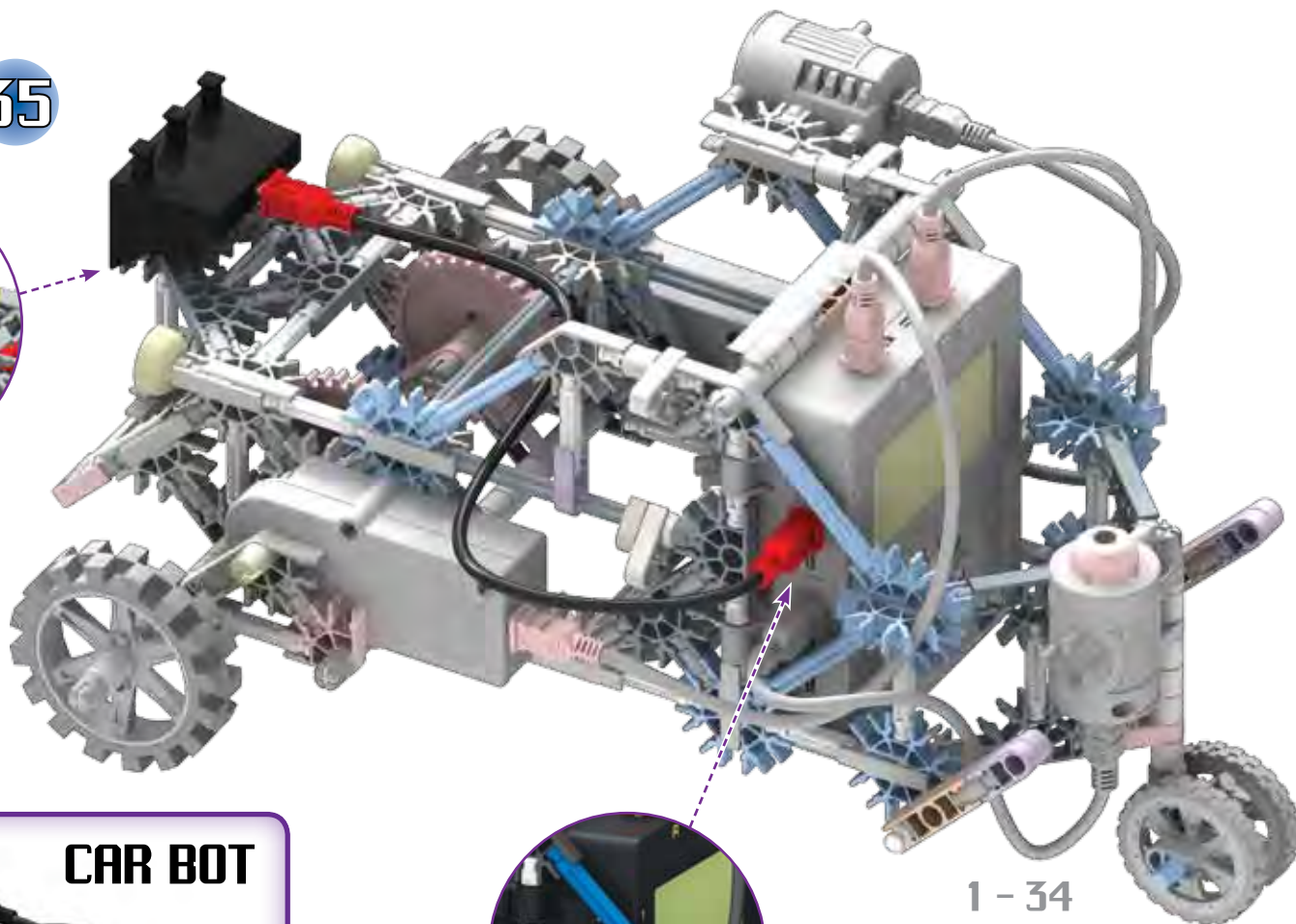


34





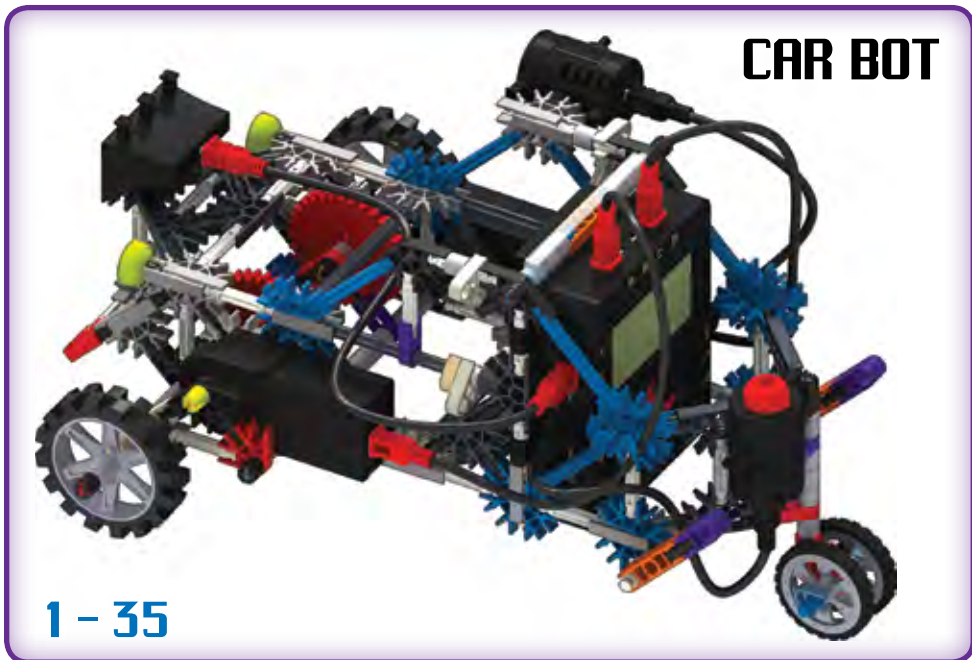
35



1 - 34



Connect Distance Sensor to Sensor Input 2



CAR BOT

1 - 35