







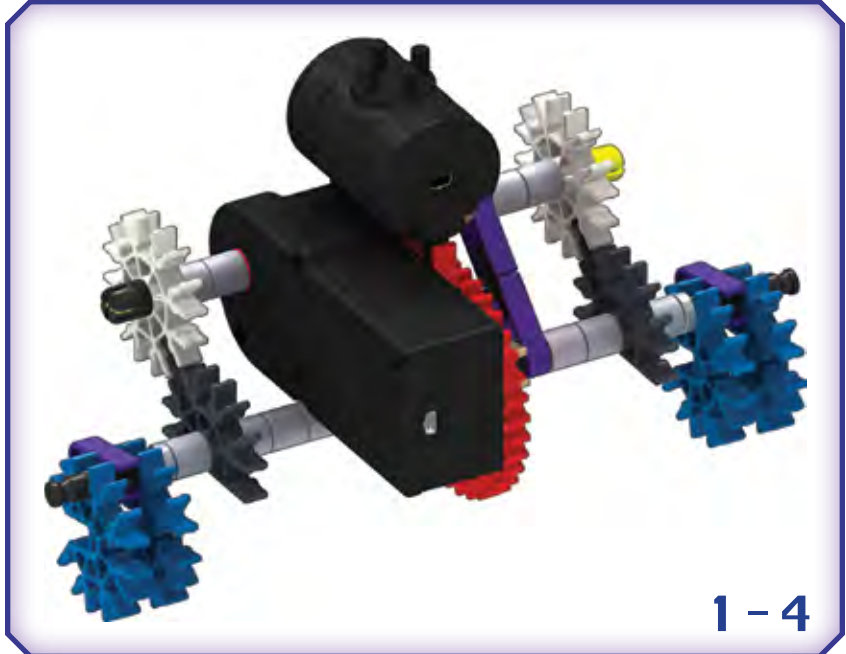
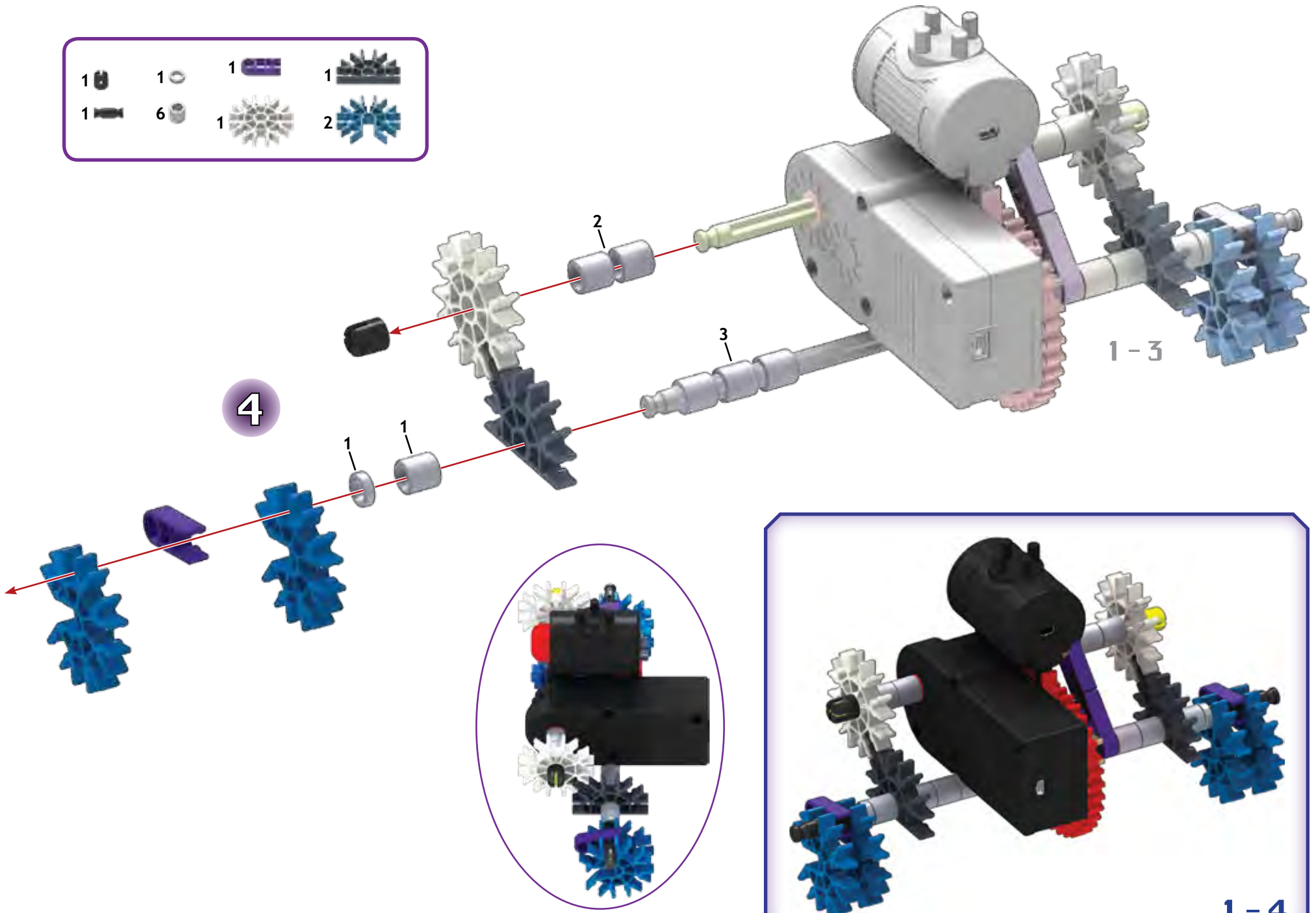
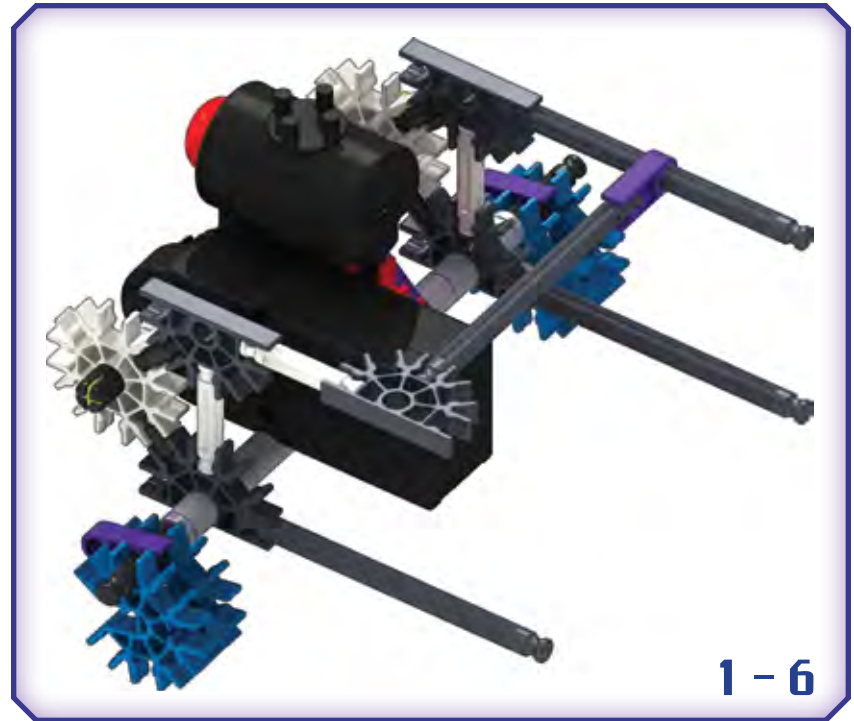
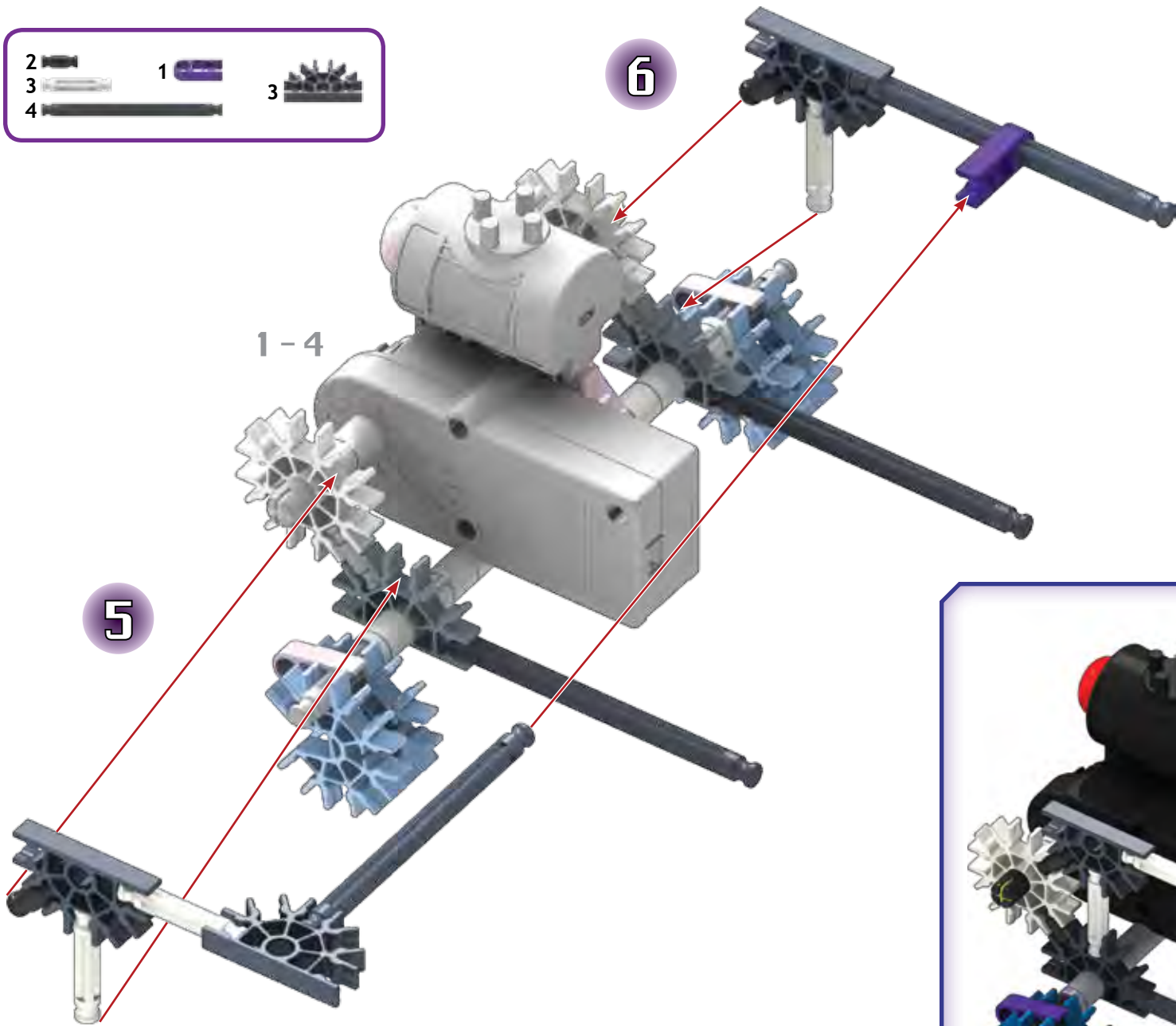




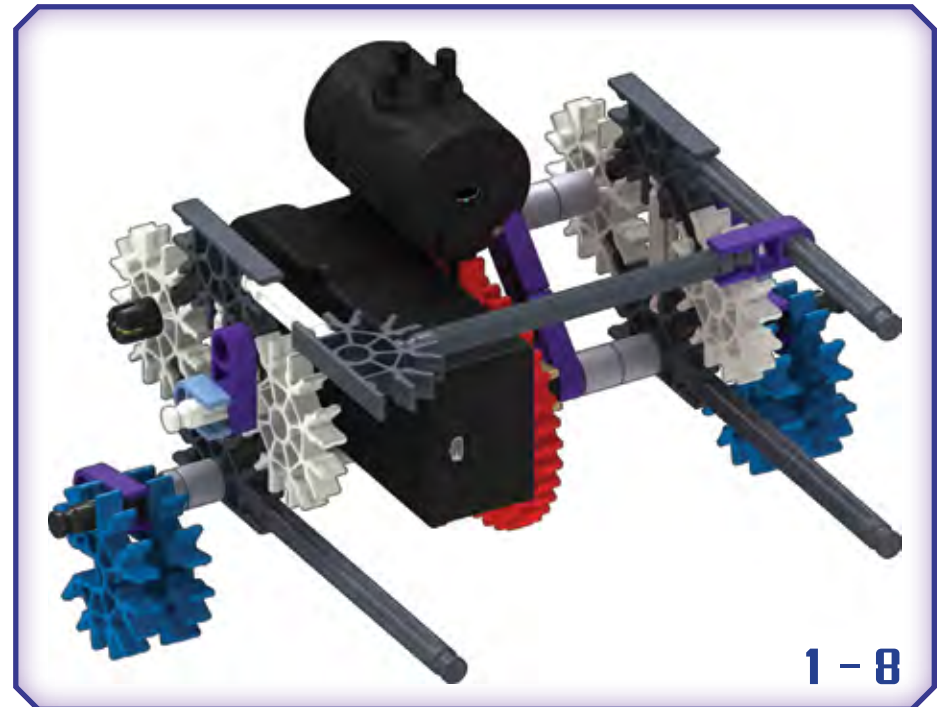
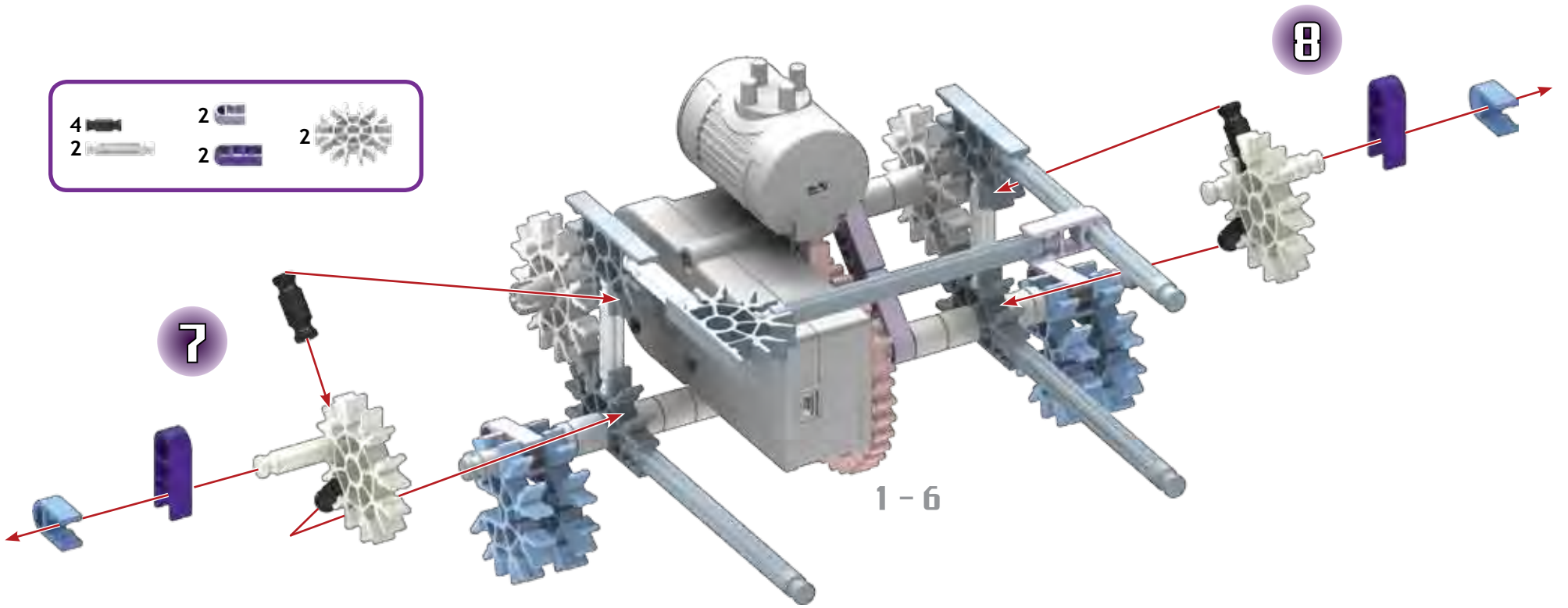


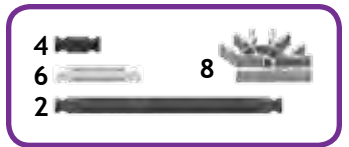
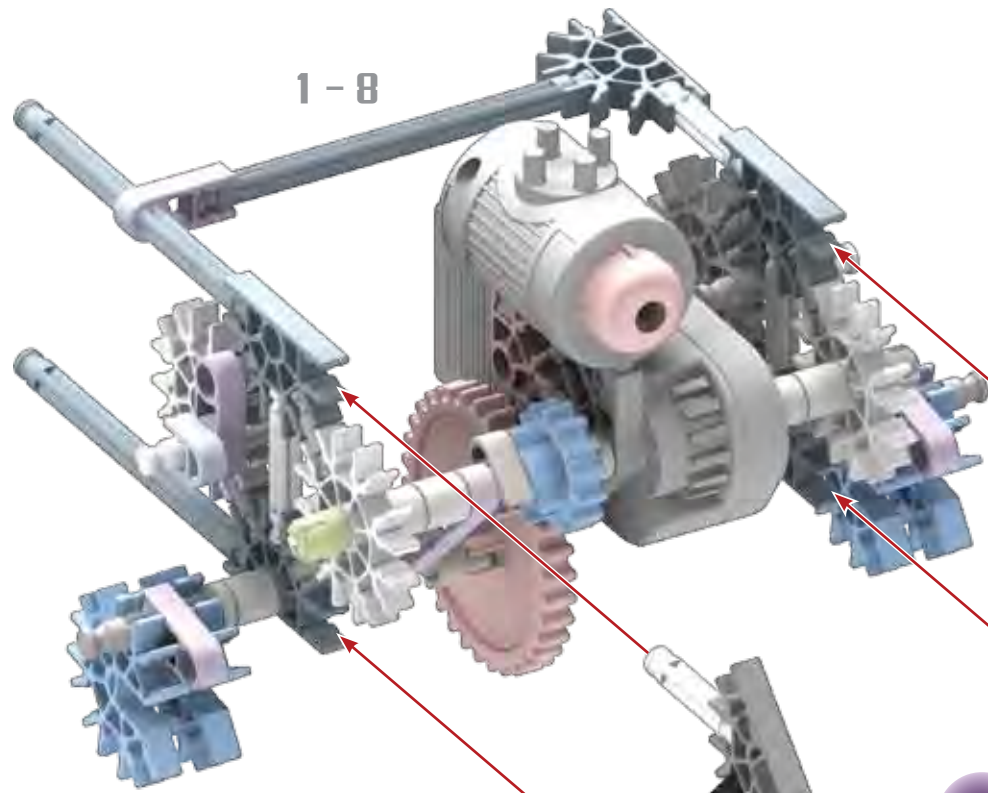
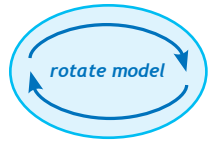
- |   |   |   |   |
|---|---|---|---|
| 1  | 1  | 1  | 1  |
| 1  | 6  | 1  | 2  |



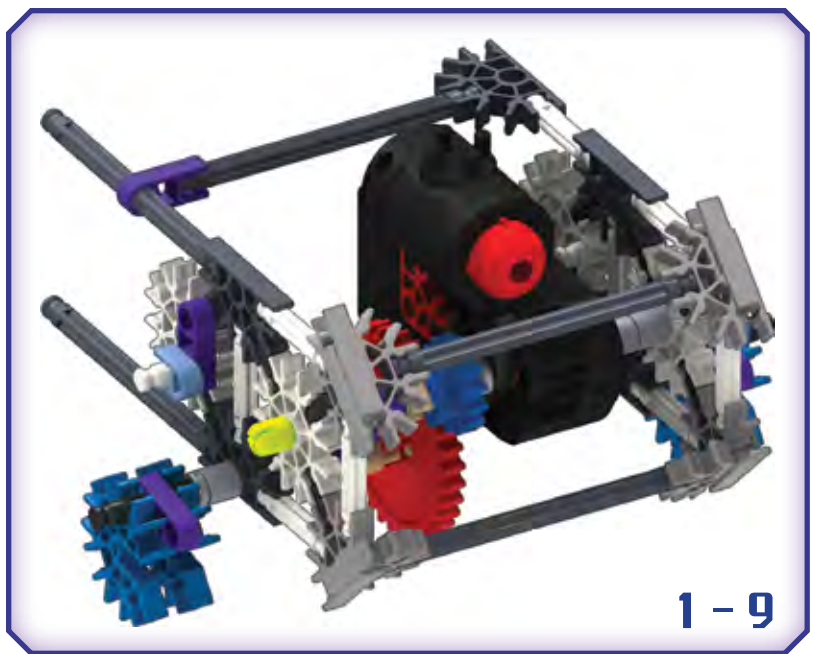


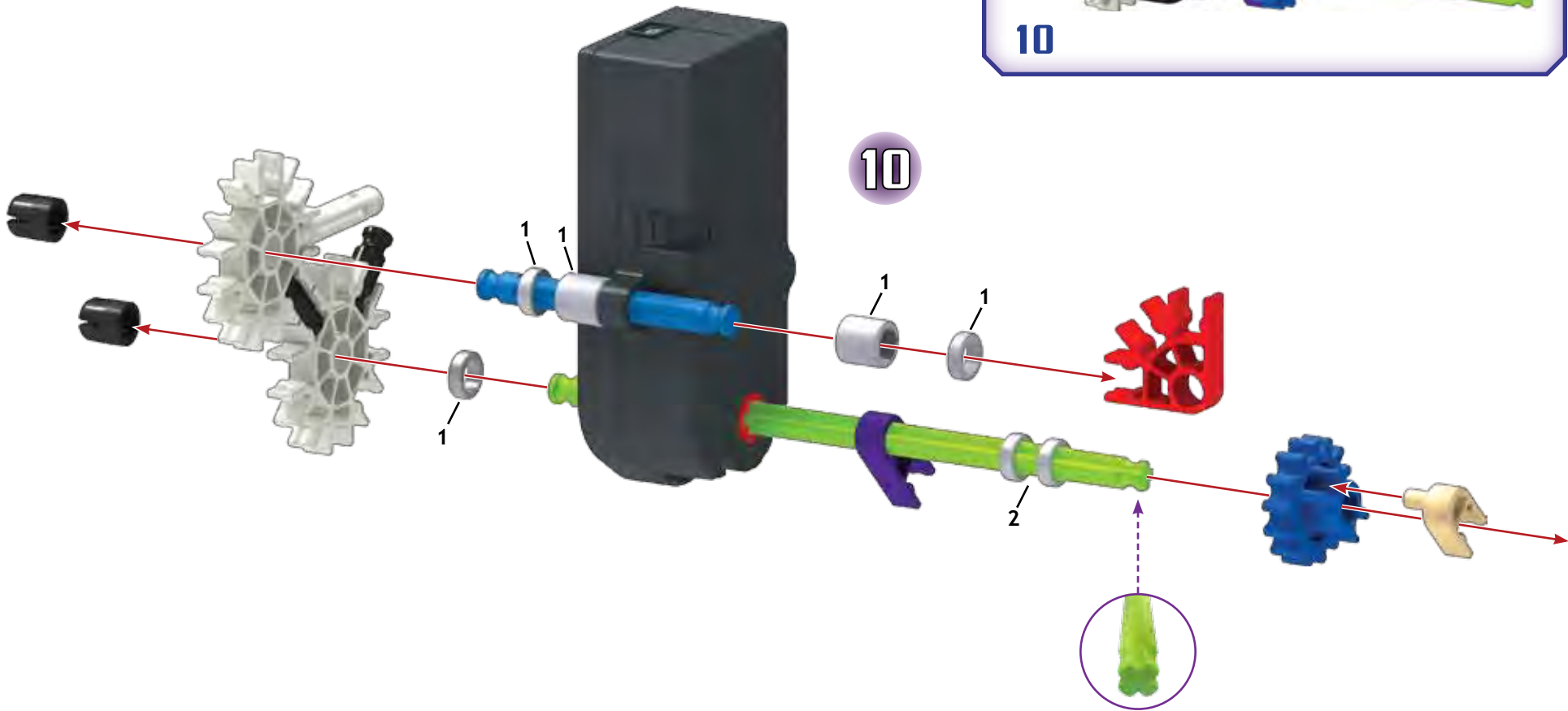
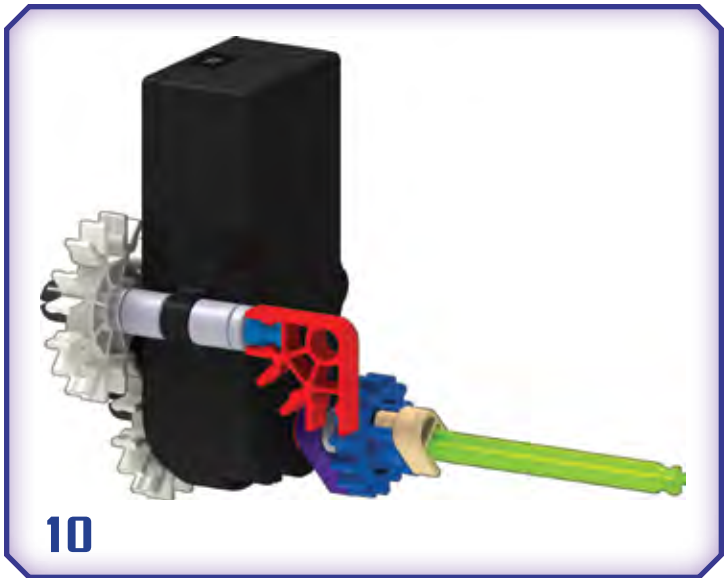
- |   |   |   |
|---|---|---|
| 4 | 2 | 2 |
|   |   |   |
| 2 | 2 |   |
|   |   |   |

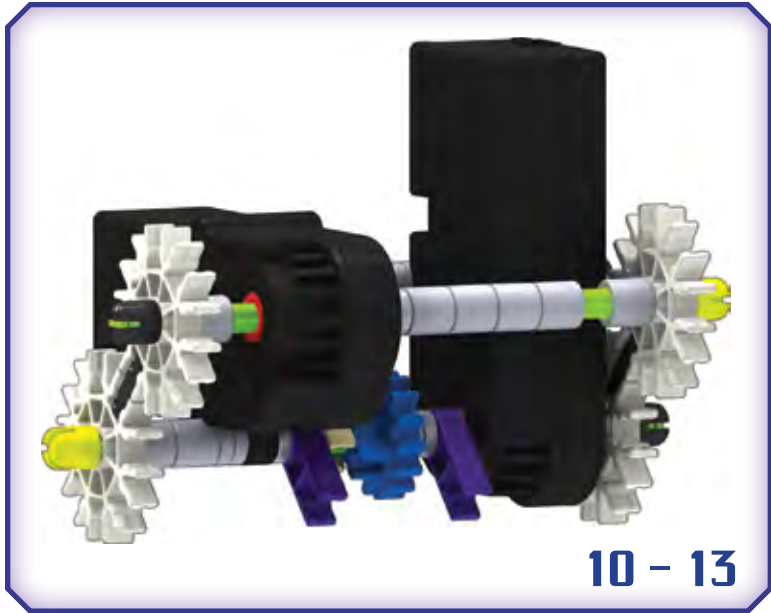
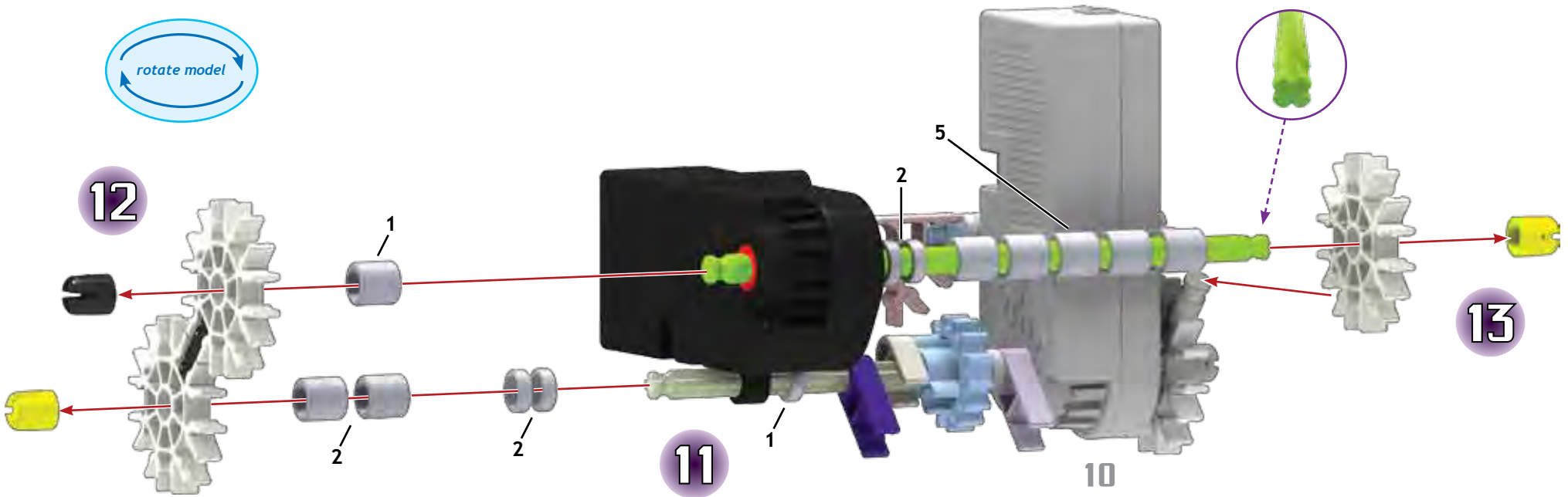
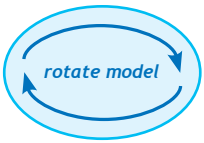




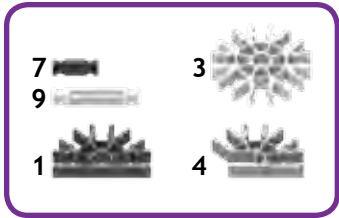
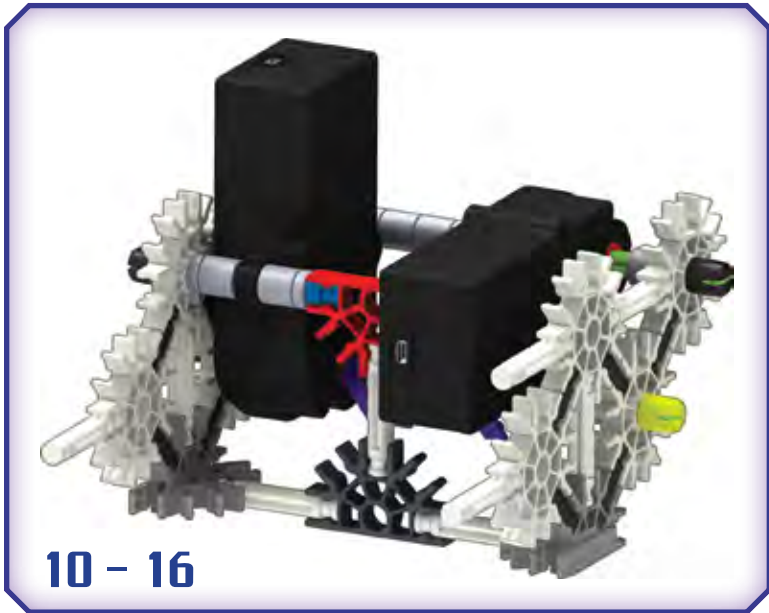
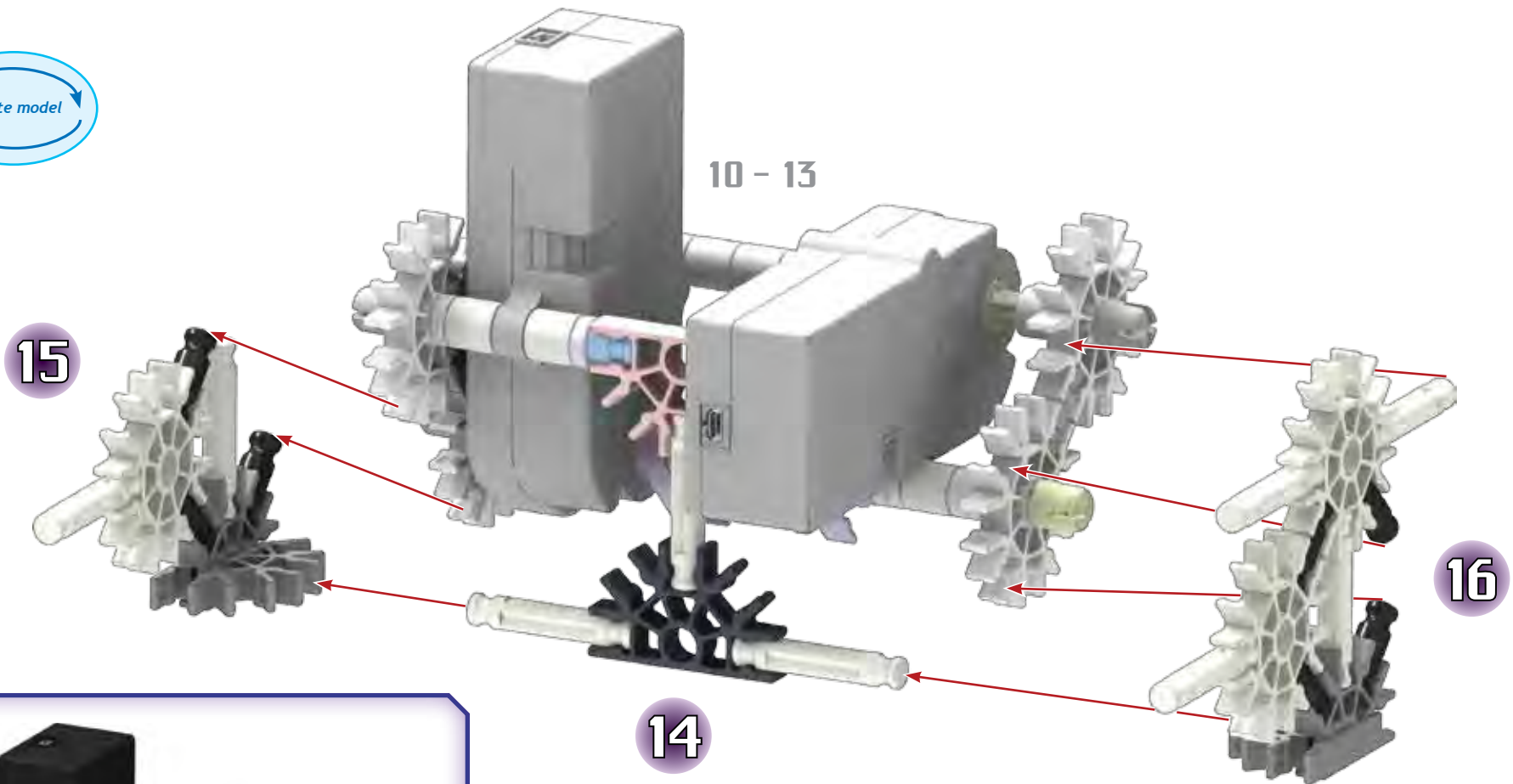
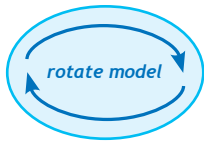
9



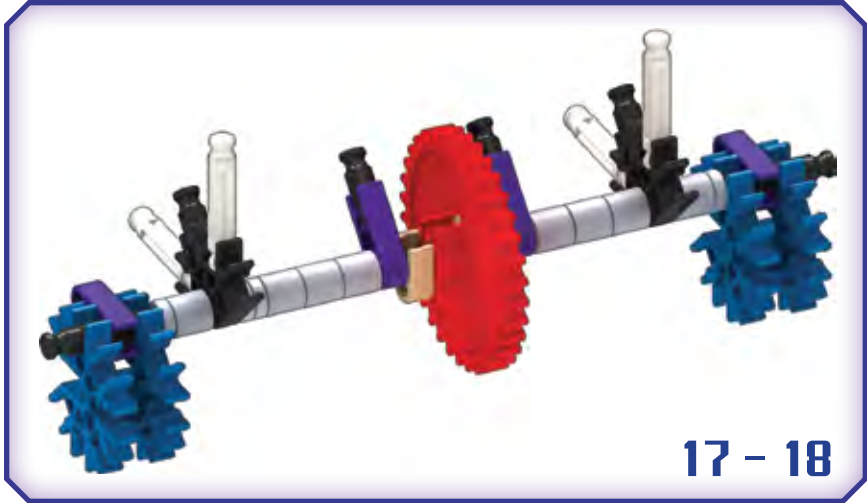
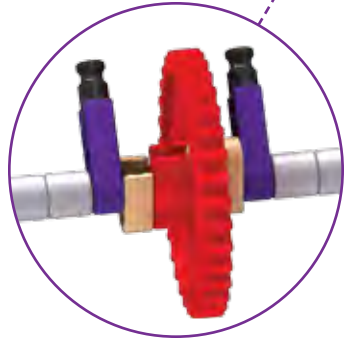
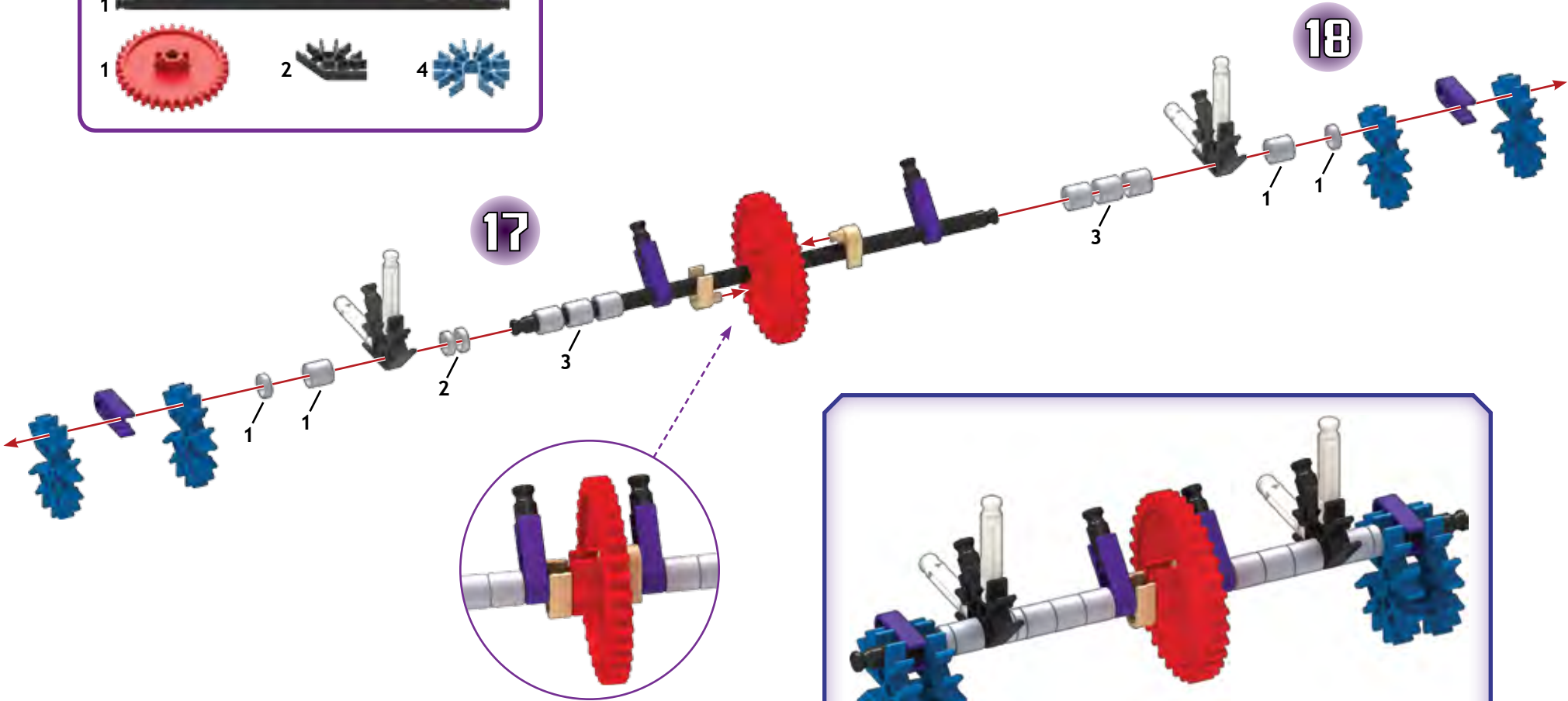




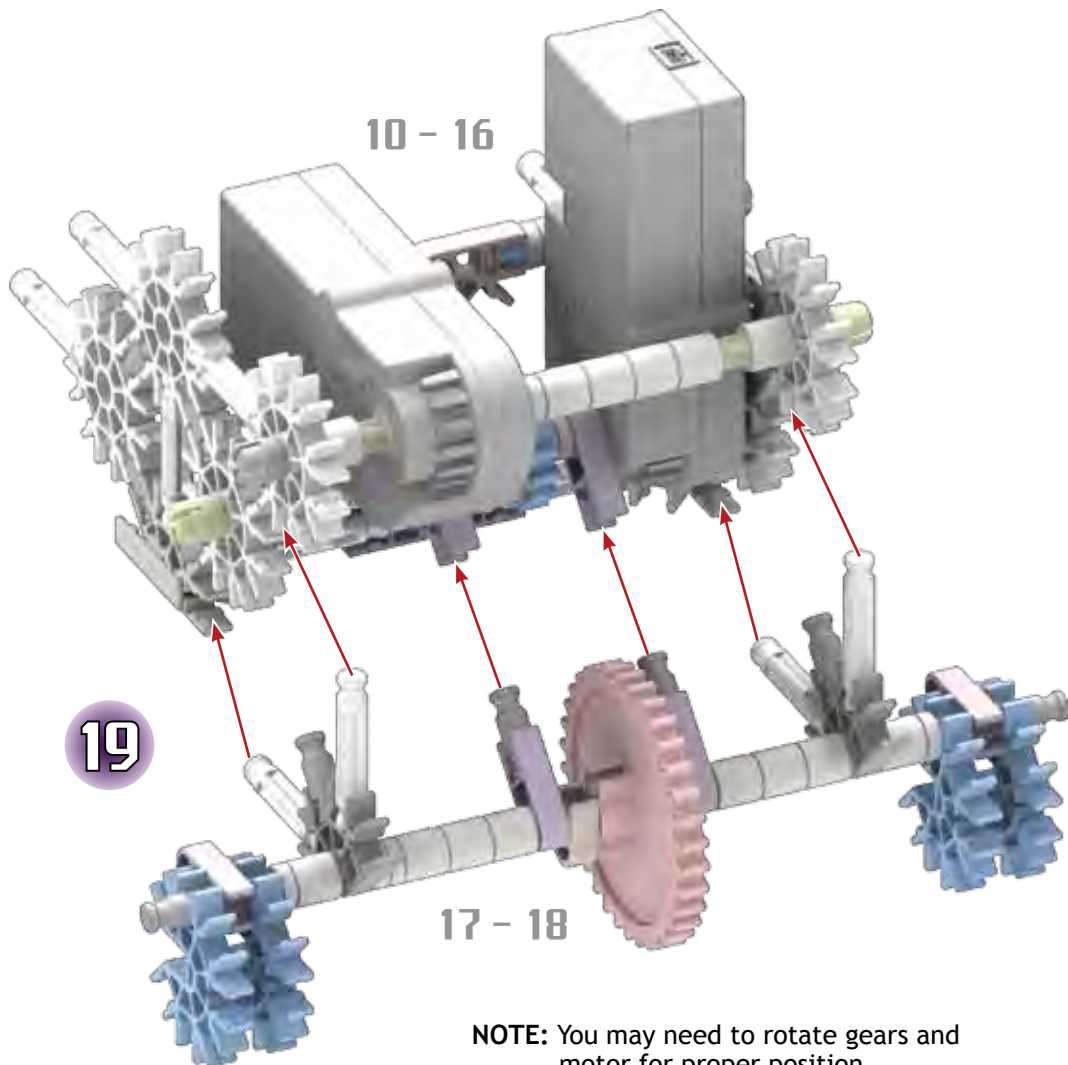




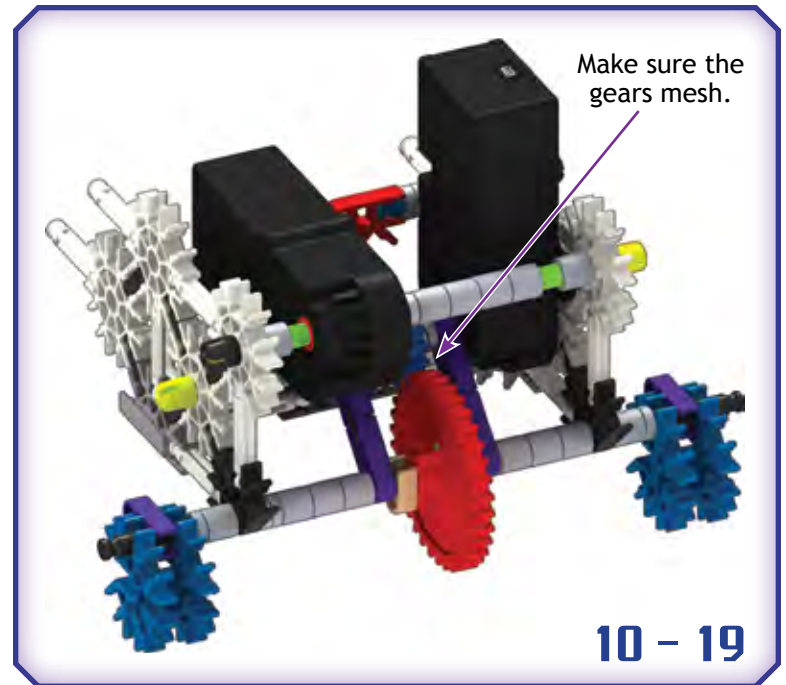
- |   |   |   |   |   |
|---|---|---|---|---|
| 4 | 4 | 8 | 2 | 4 |
| 4 | 4 | 2 | 2 | 4 |
| 1 | 1 | 1 | 2 | 4 |
- 

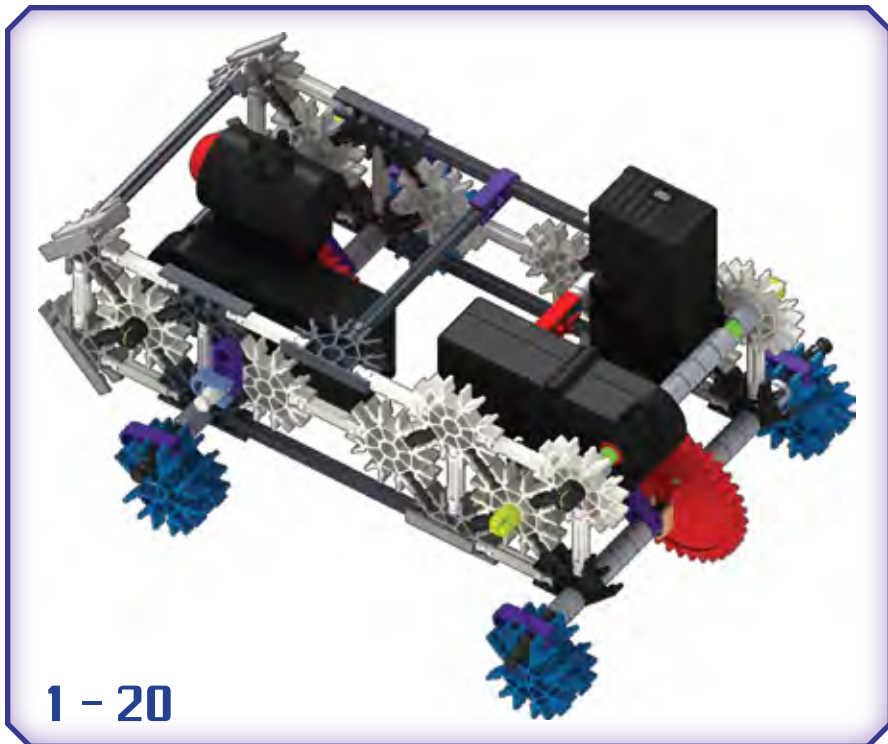
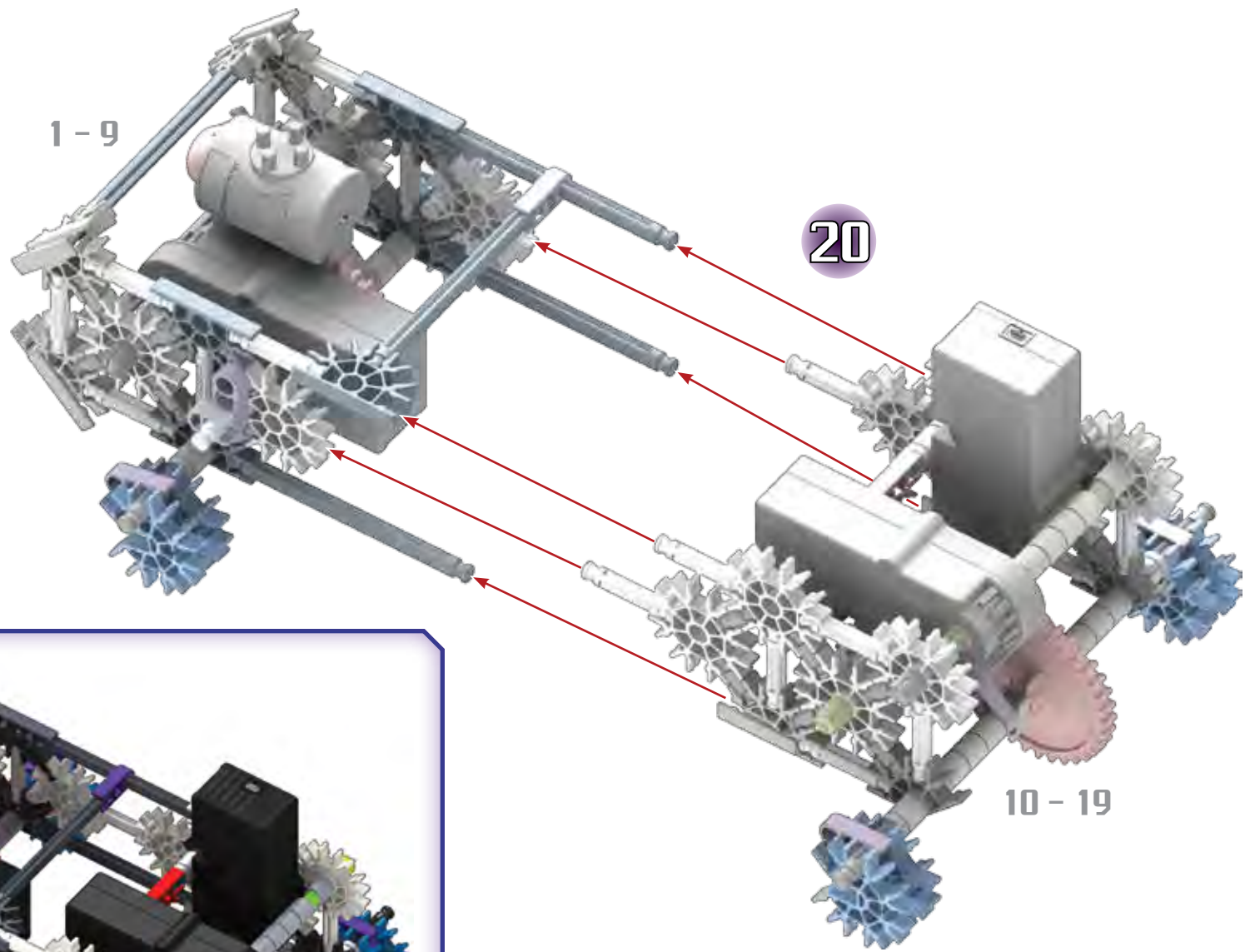


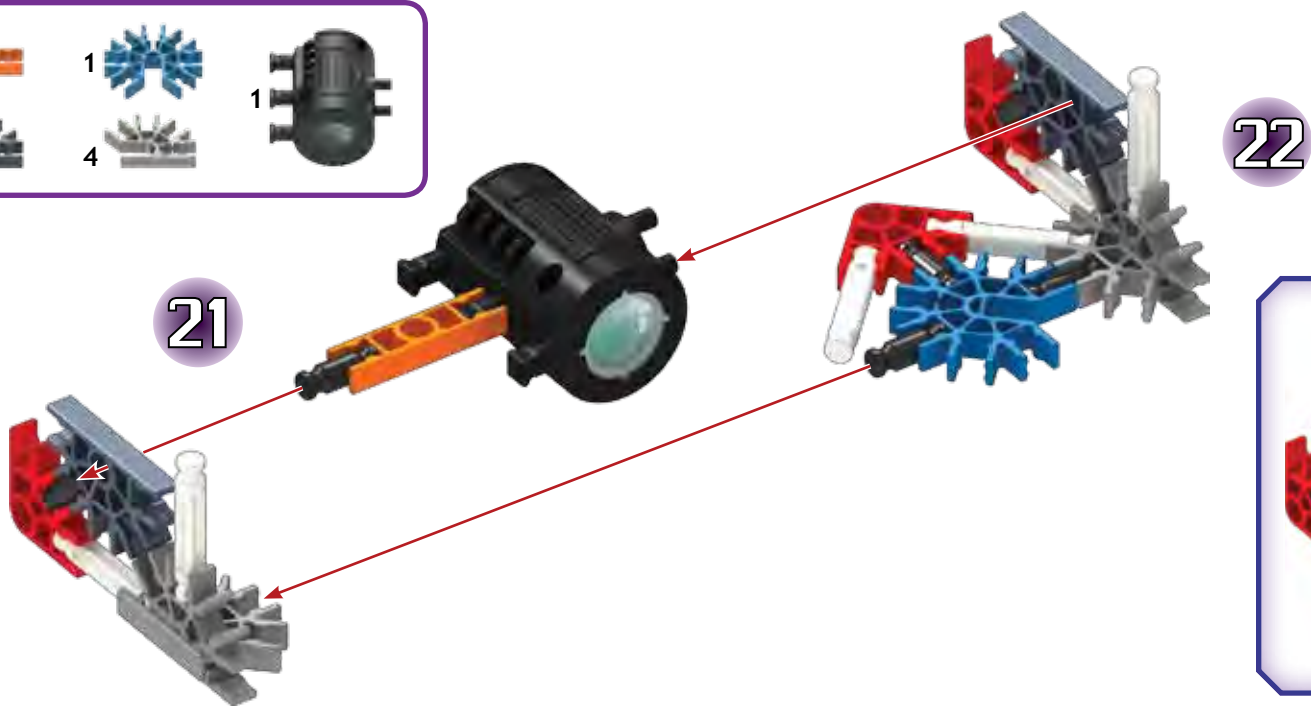
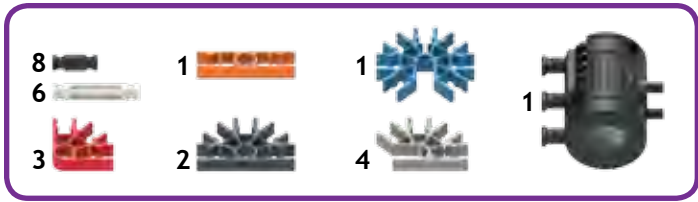
17 - 18



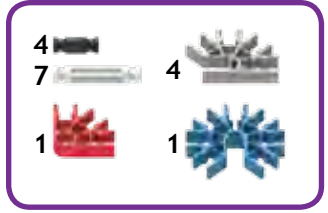
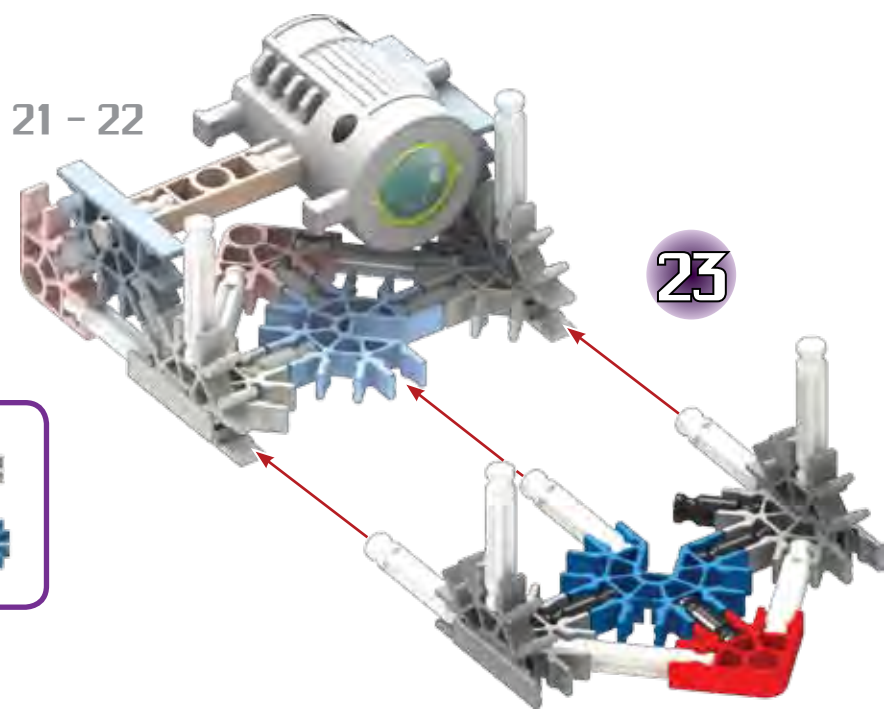
**NOTE:** You may need to rotate gears and motor for proper position.

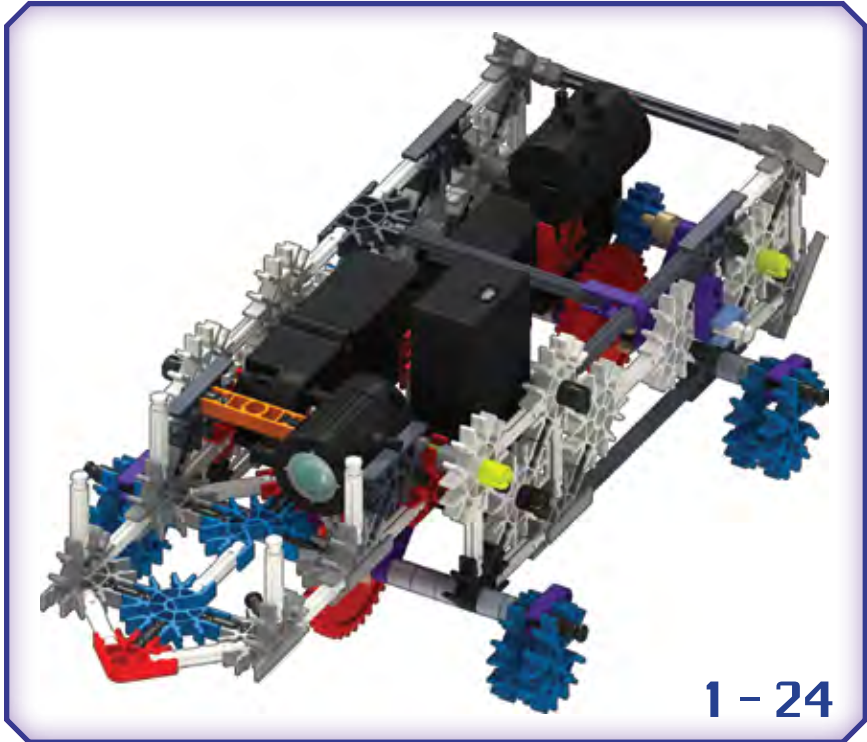
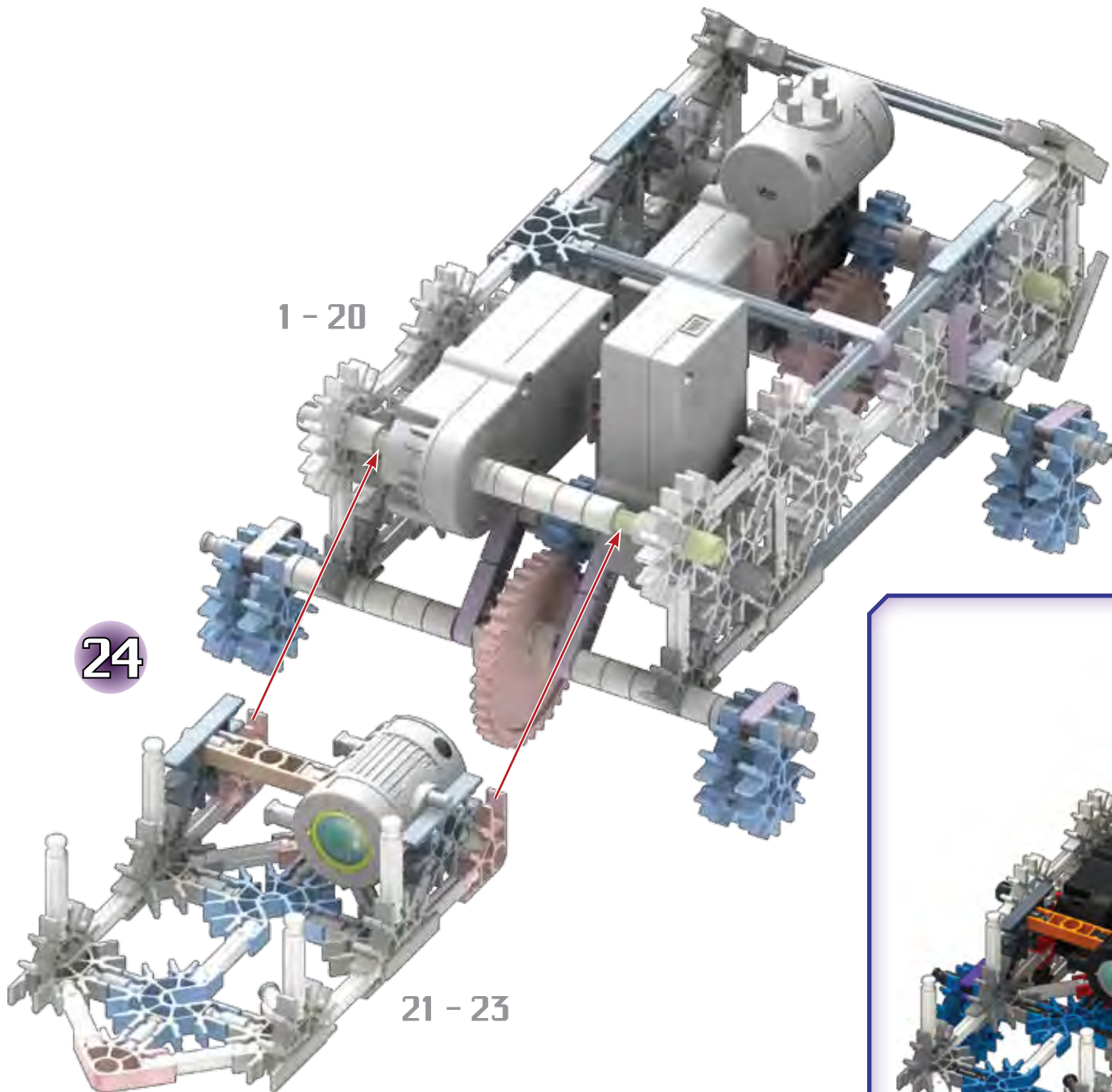


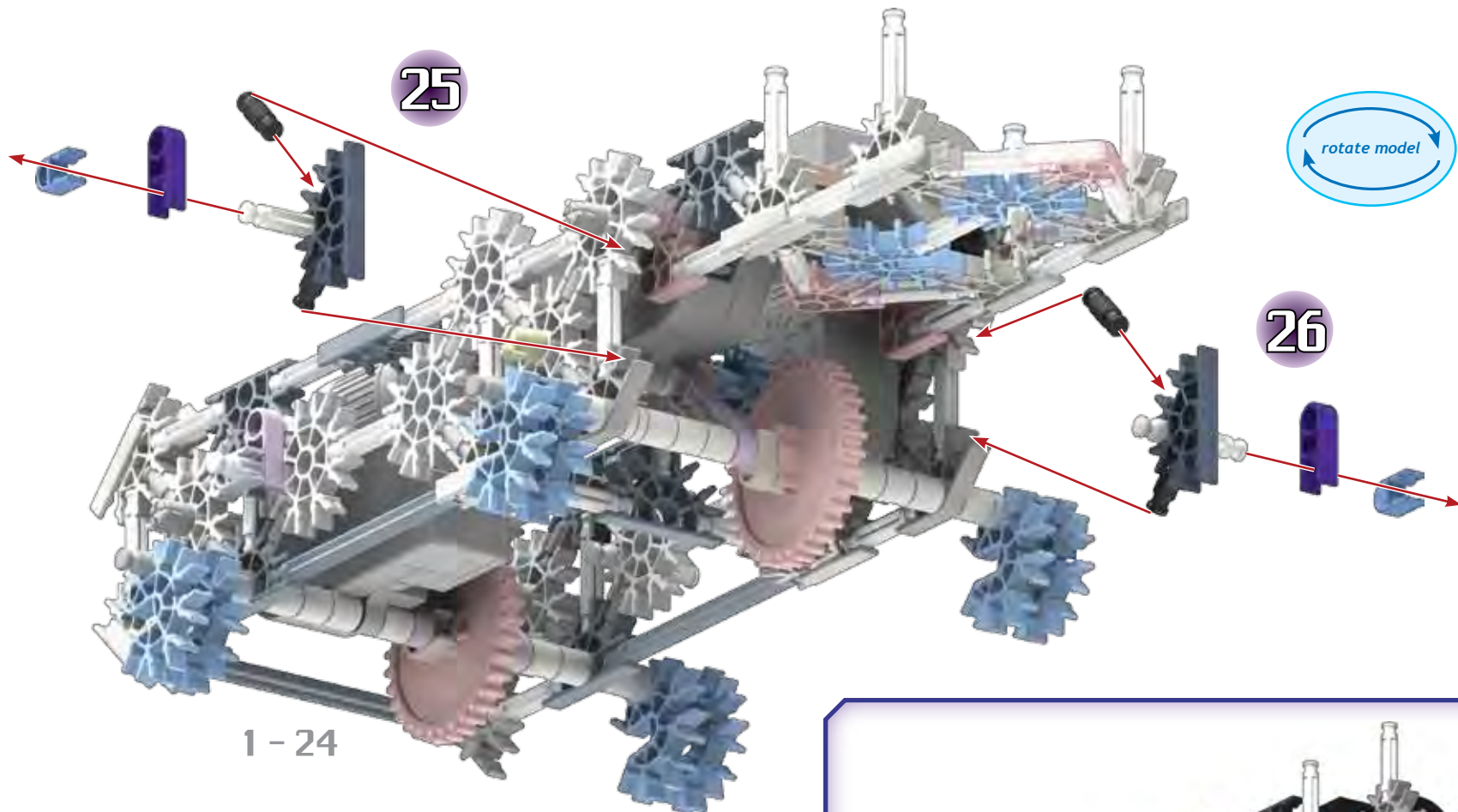




22







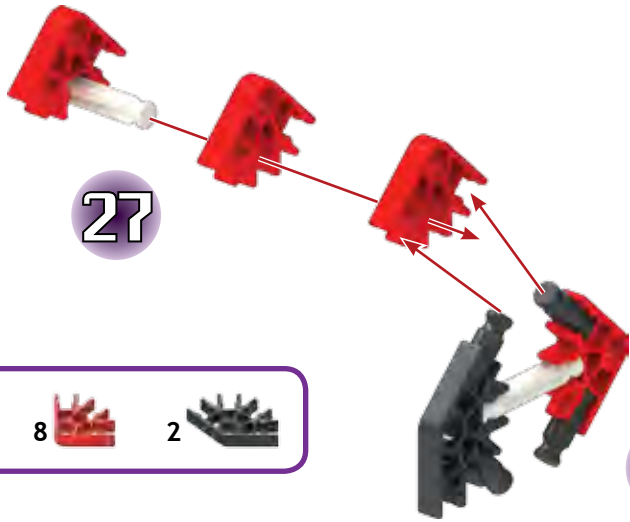
1 - 24

- |   |  |   |  |   |  |
|---|--|---|--|---|--|
| 4 |  | 2 |  | 2 |  |
| 2 |  | 2 |  |   |  |



1 - 26

x2



27

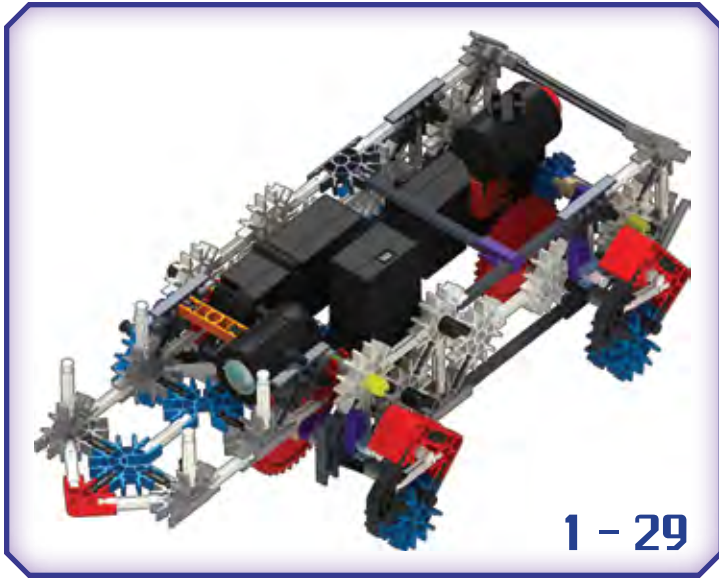


x2

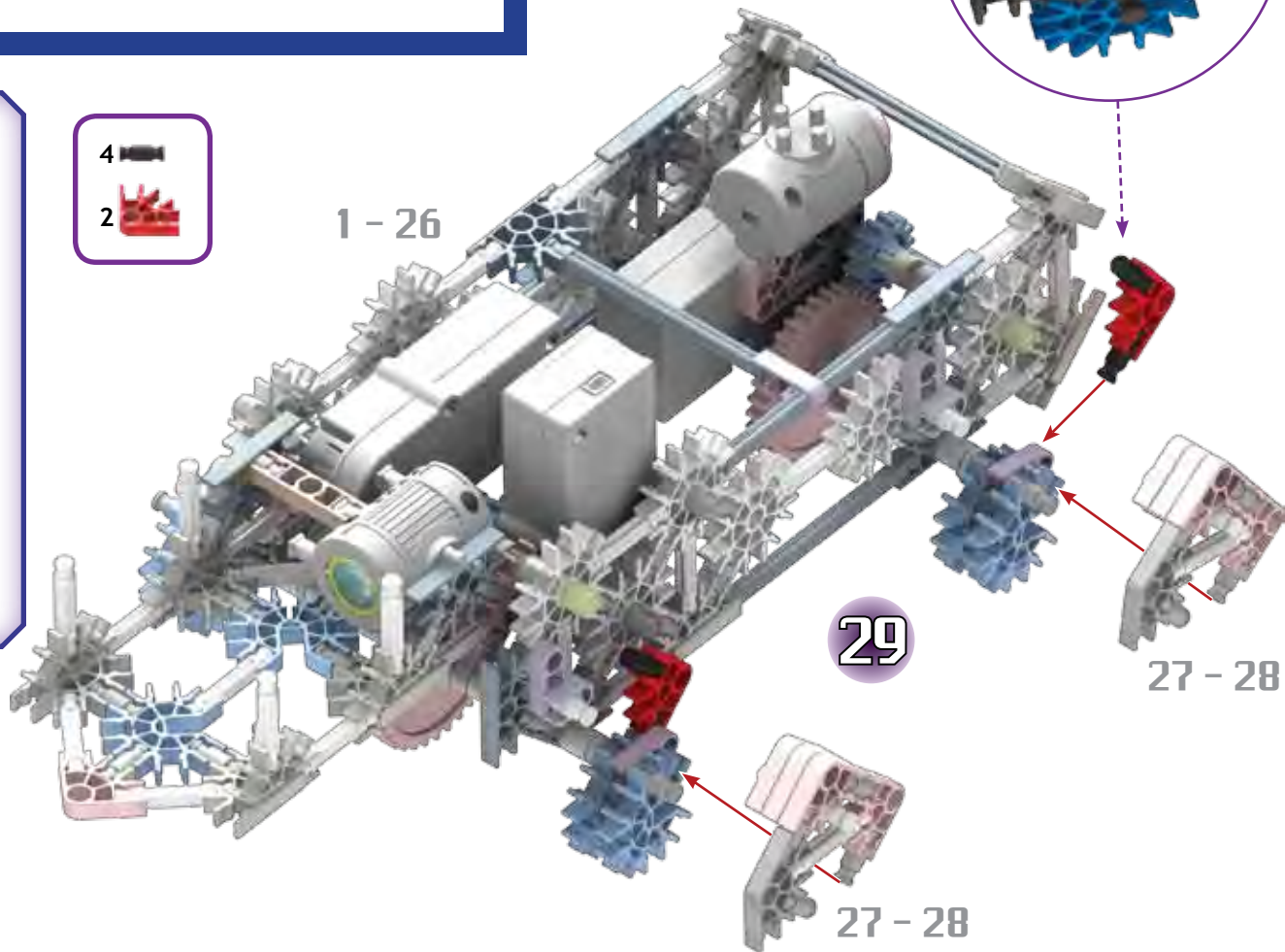
27 - 28



28



1 - 29



1 - 26

29

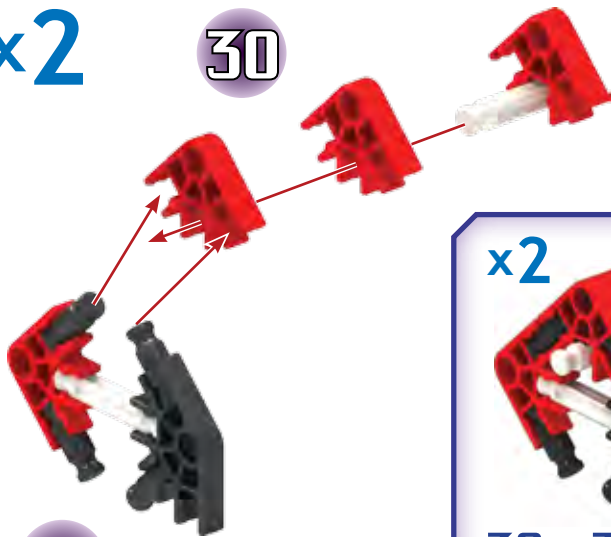
27 - 28

27 - 28



x2

30

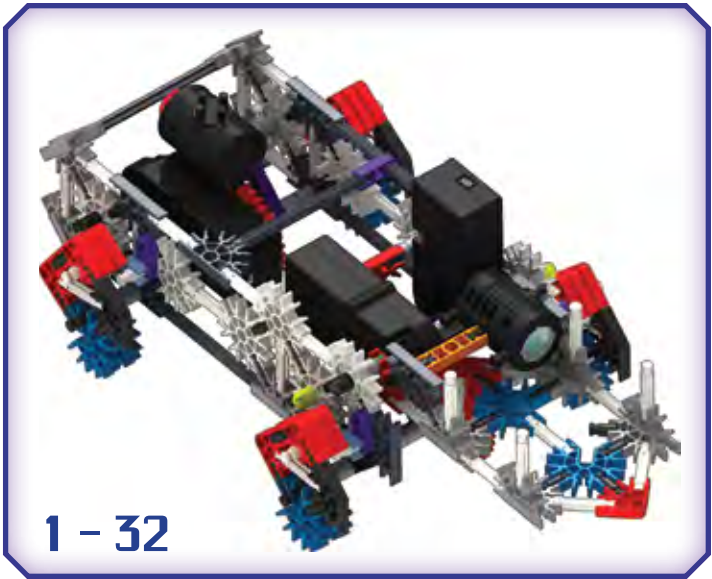


x2

30 - 31



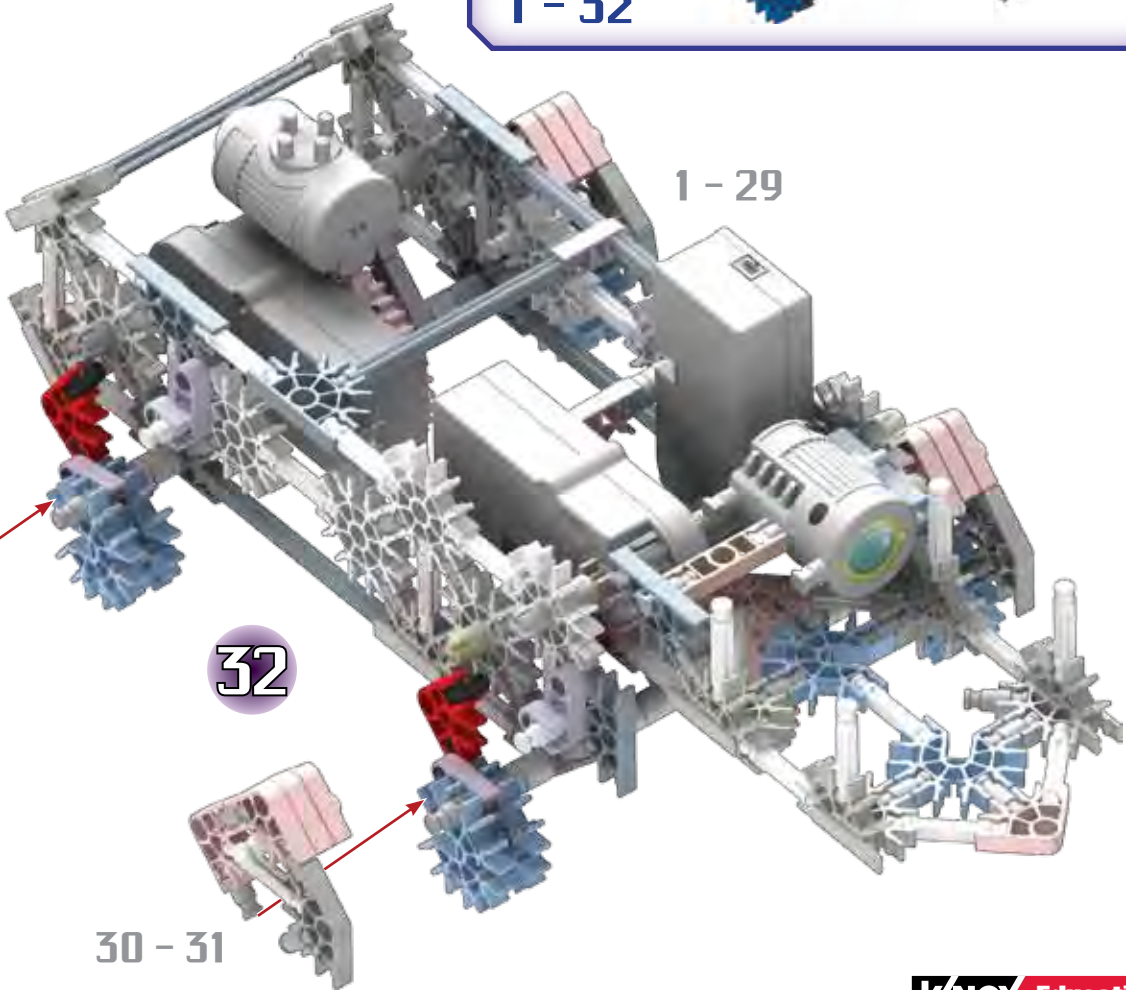
31



1 - 32

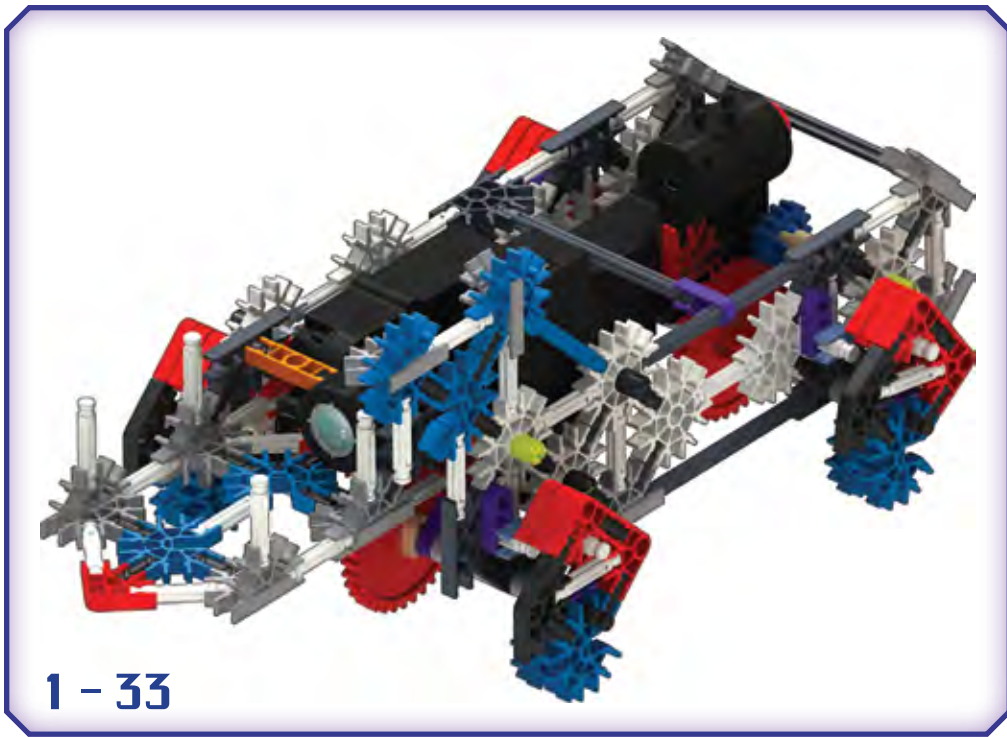


30 - 31

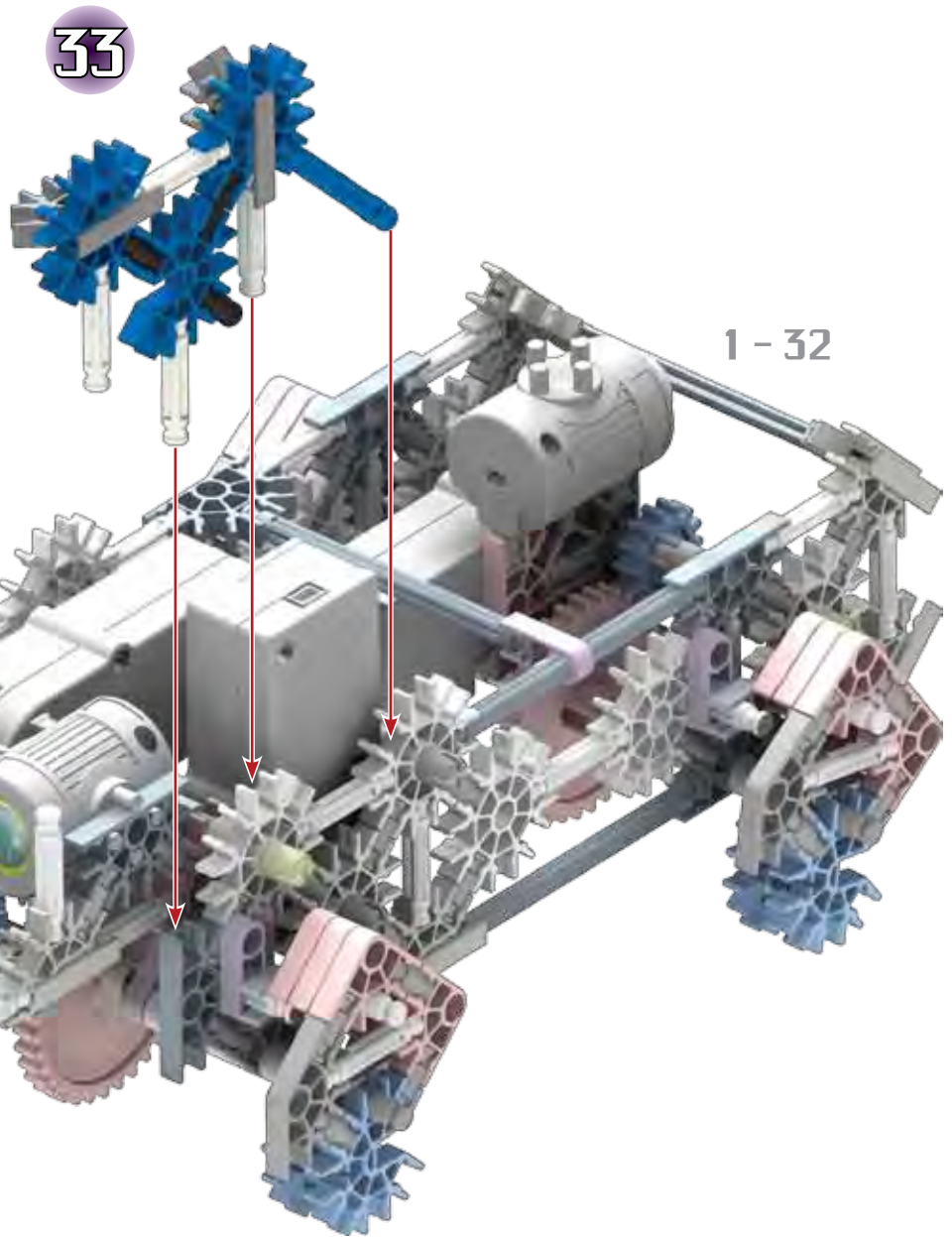


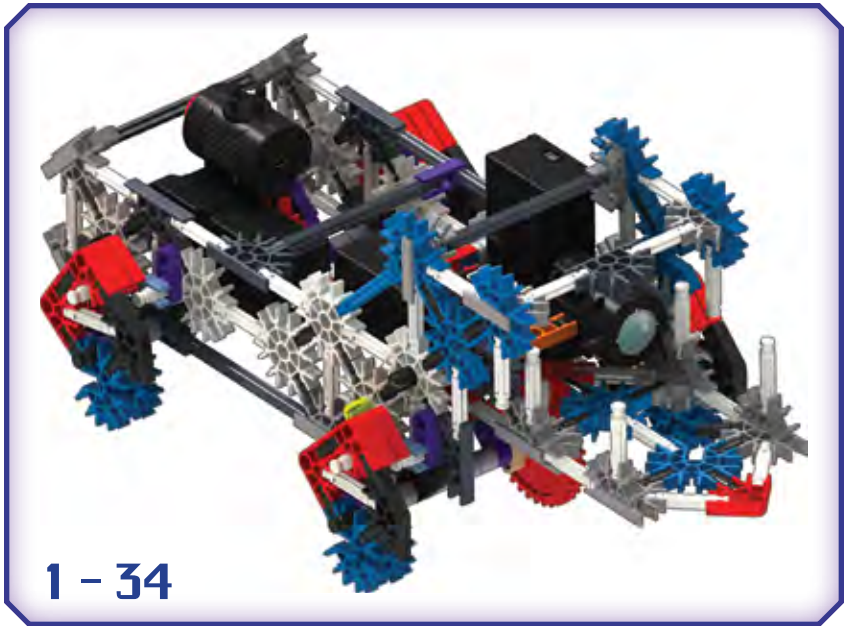
32

30 - 31

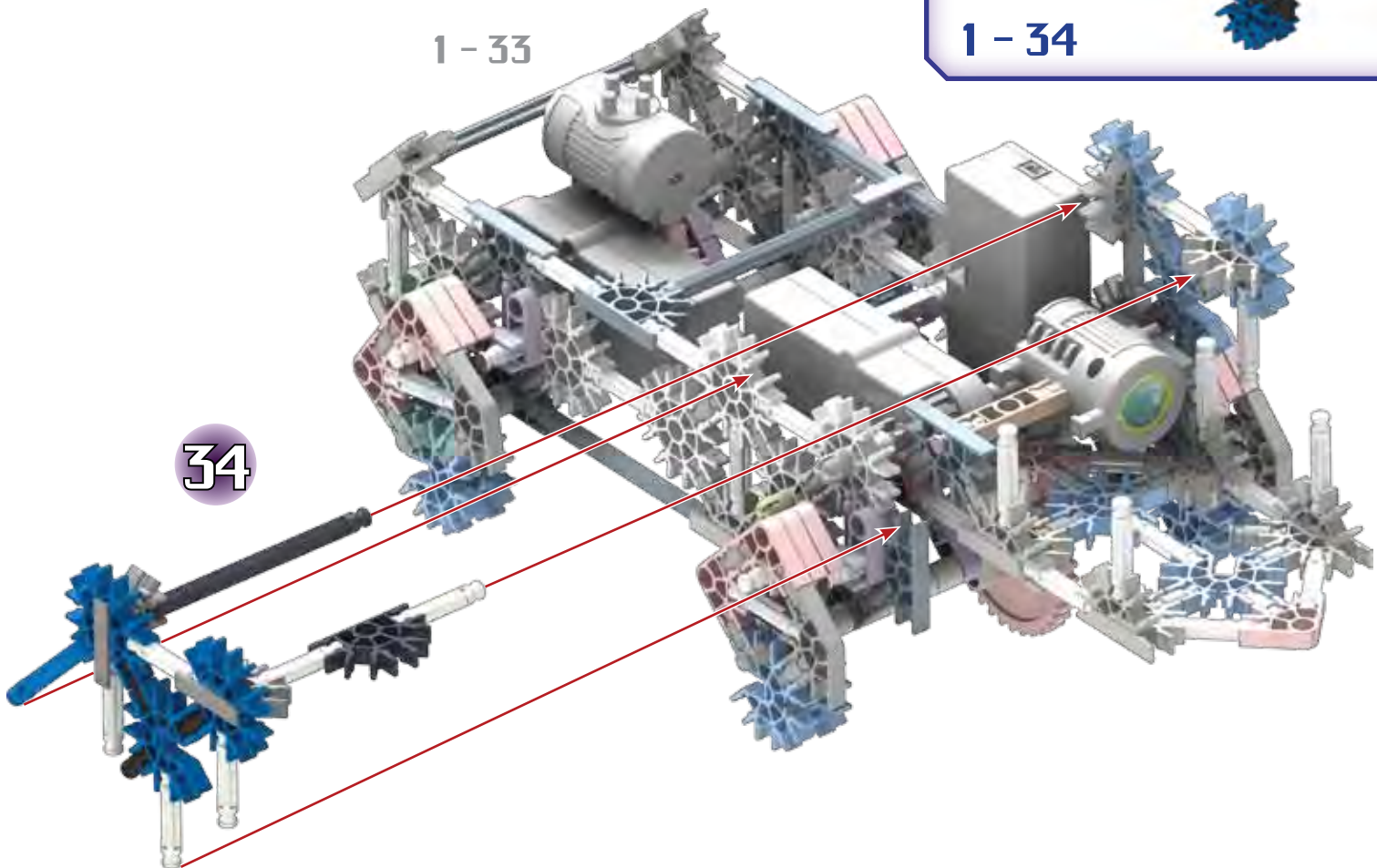


- 3 
  - 4 
  - 1 
- 2 
  - 3 

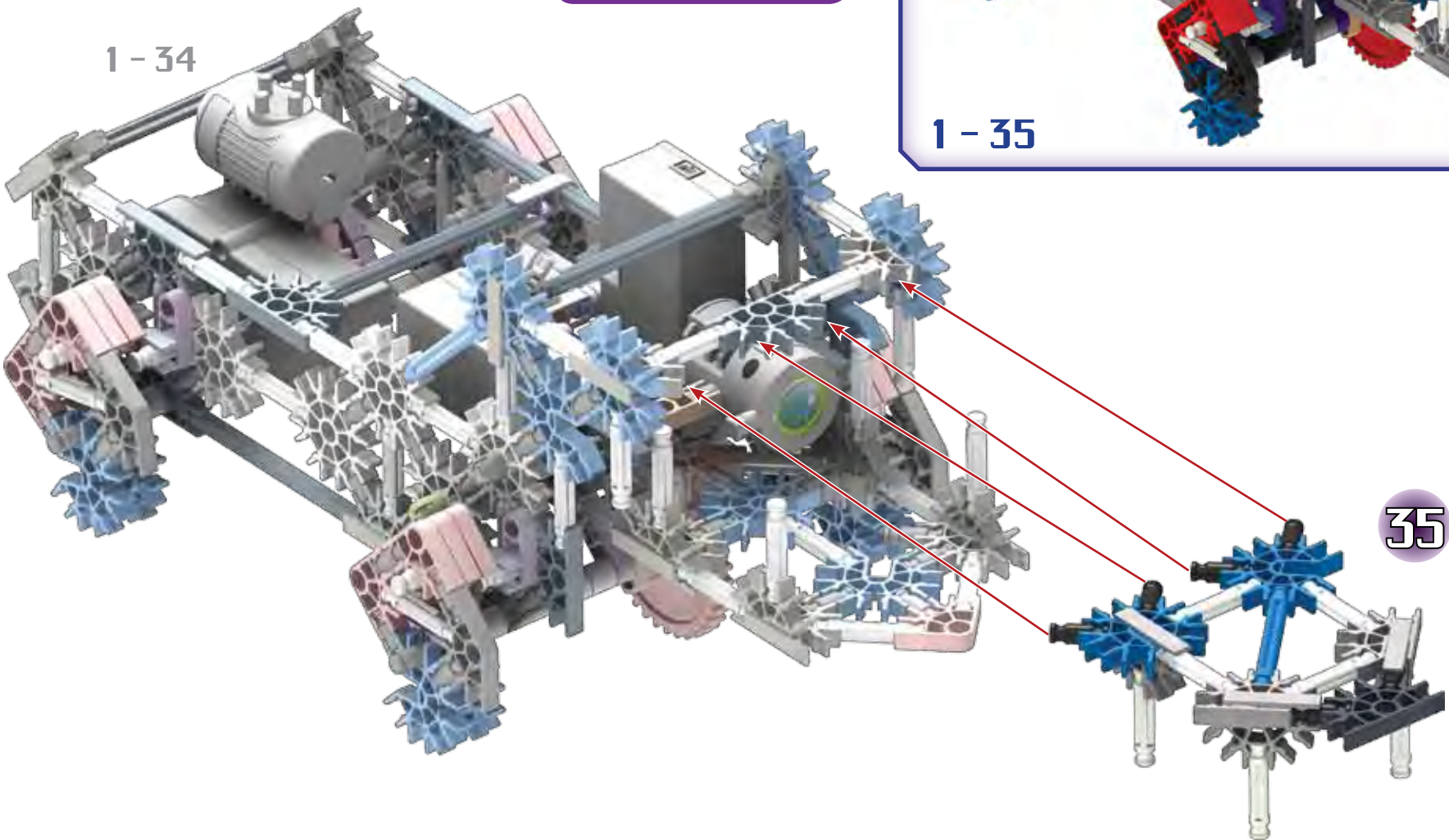
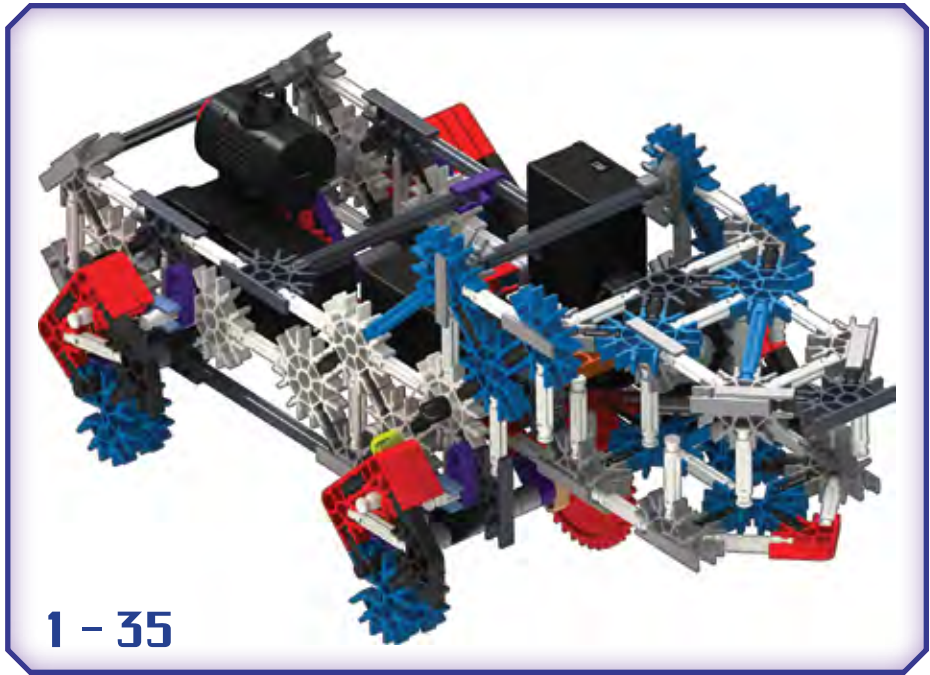


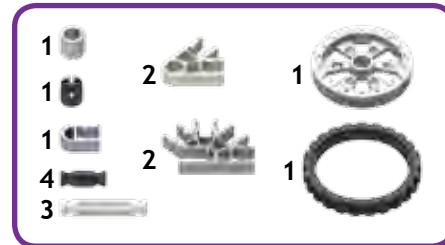
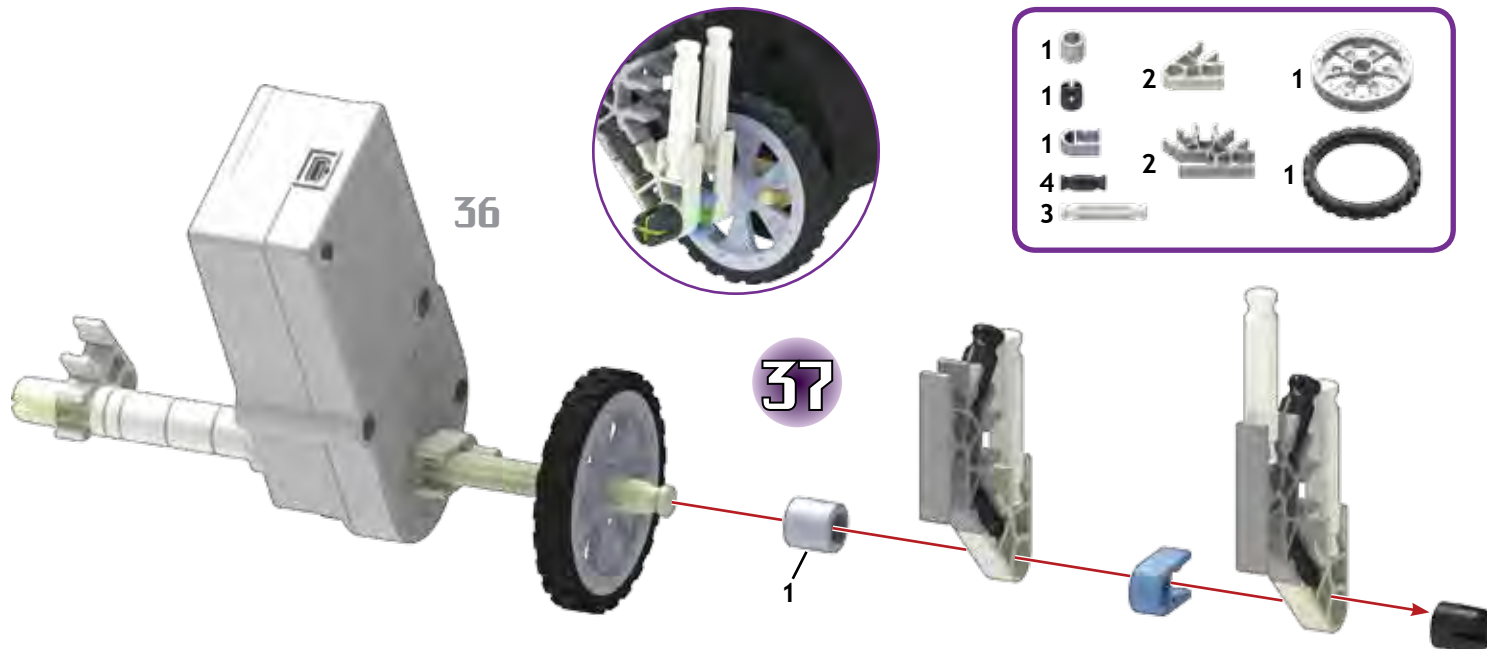
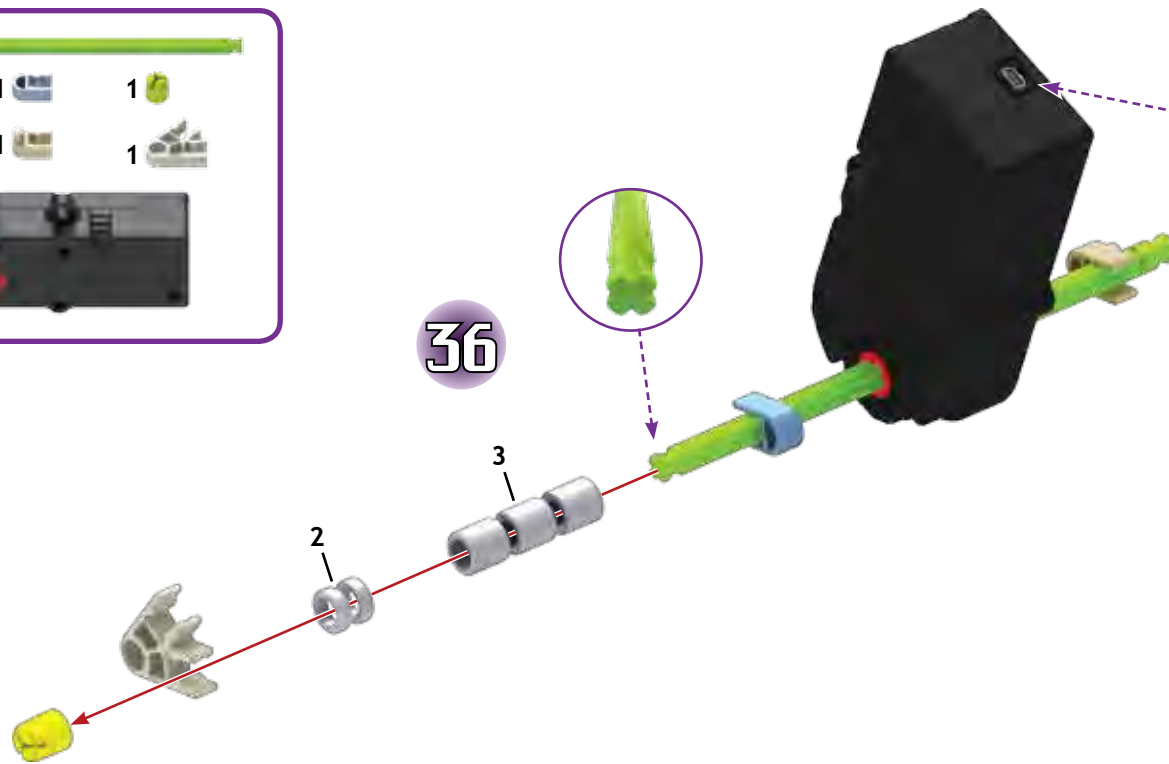


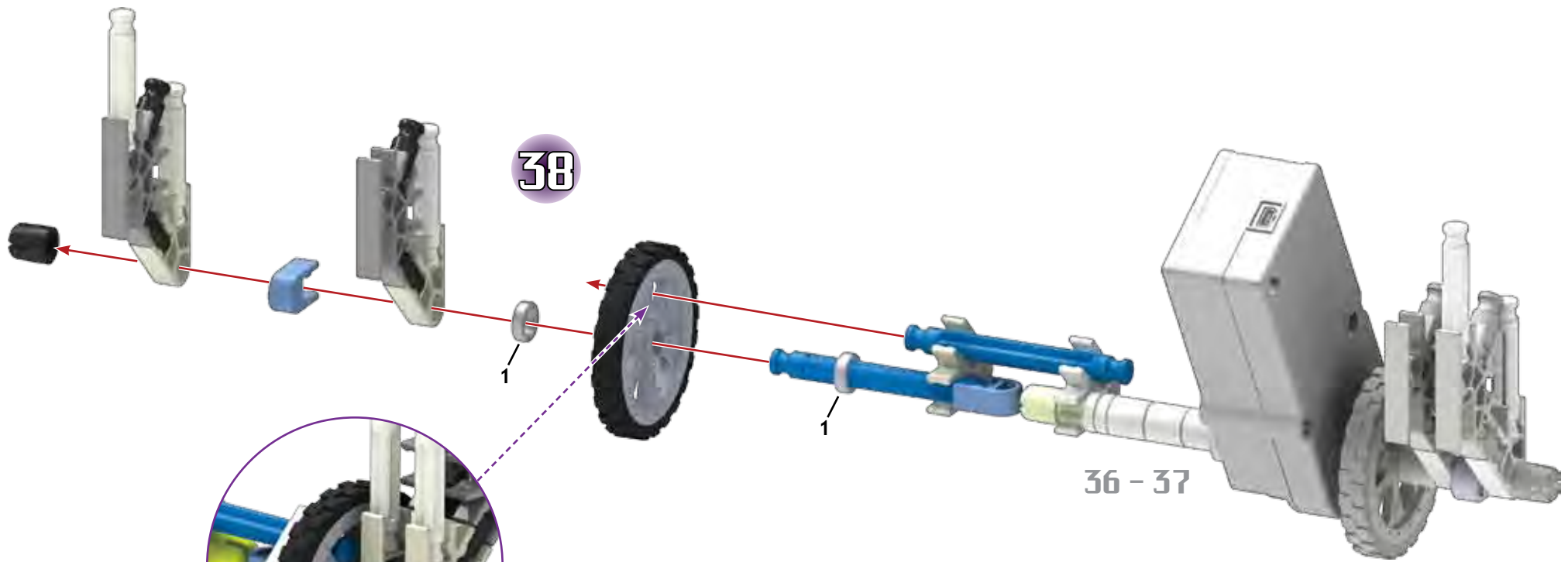
1 - 33



- |   |  |   |  |
|---|--|---|--|
| 6 |  | 1 |  |
| 7 |  | 1 |  |
| 1 |  | 2 |  |
| 5 |  |   |  |





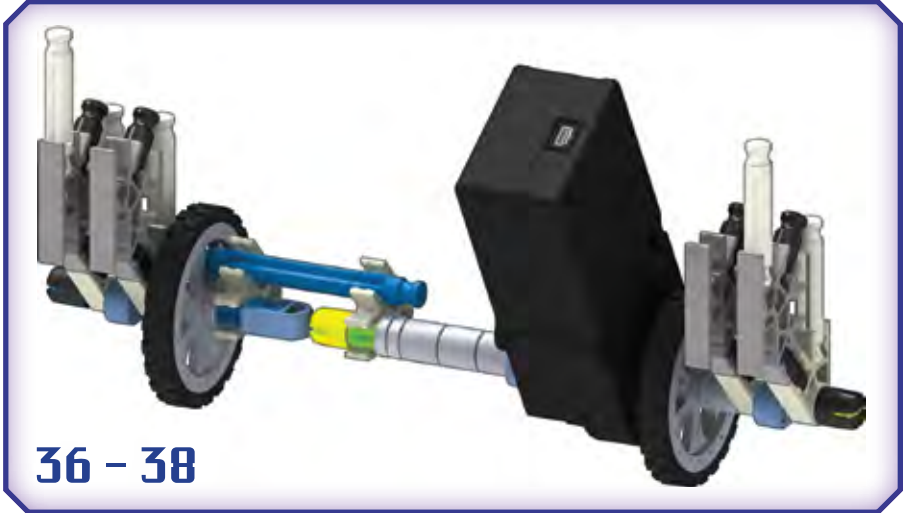


38

36 - 37

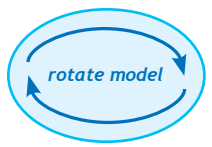


- |   |  |   |  |   |  |
|---|--|---|--|---|--|
| 2 |  | 3 |  | 1 |  |
| 1 |  |   |  |   |  |
| 2 |  | 2 |  |   |  |
| 4 |  |   |  |   |  |
| 3 |  |   |  | 1 |  |
| 2 |  |   |  |   |  |



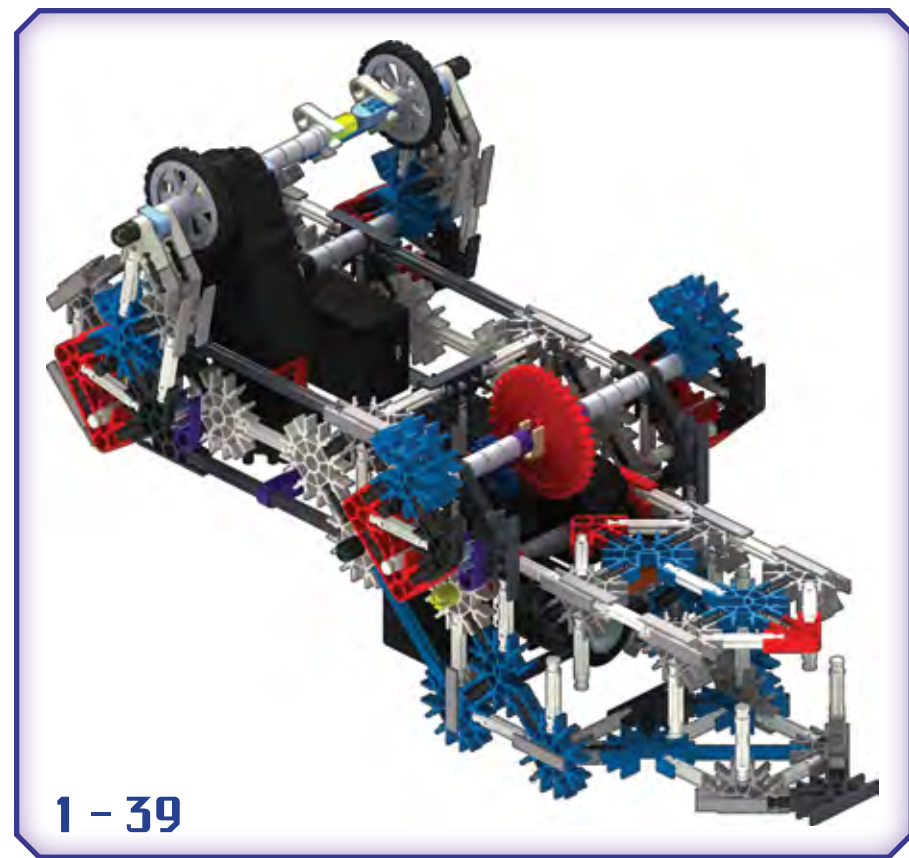
36 - 38

36 - 38

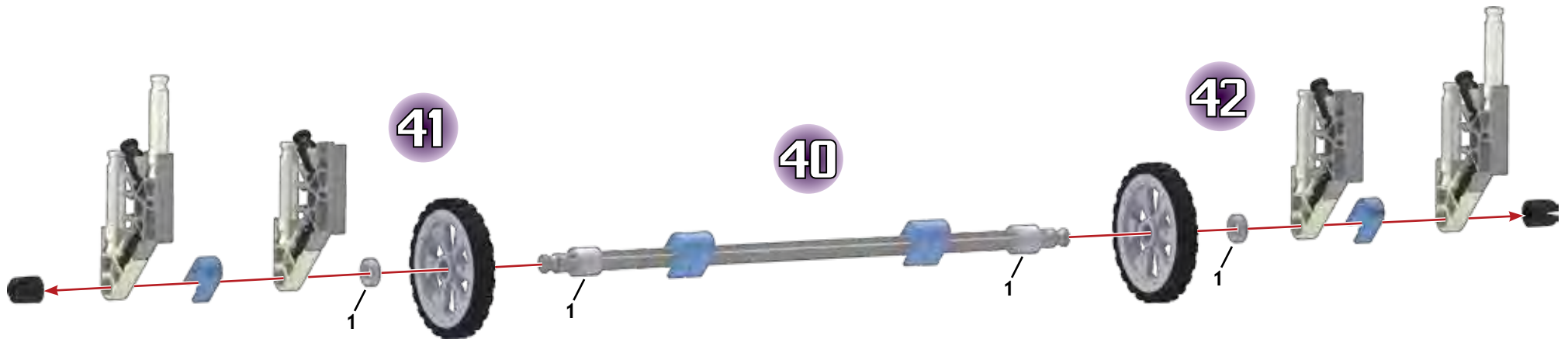


39

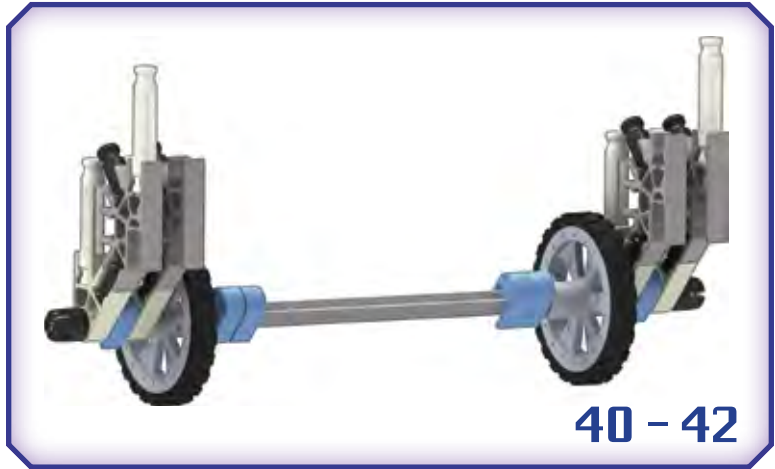
1 - 35



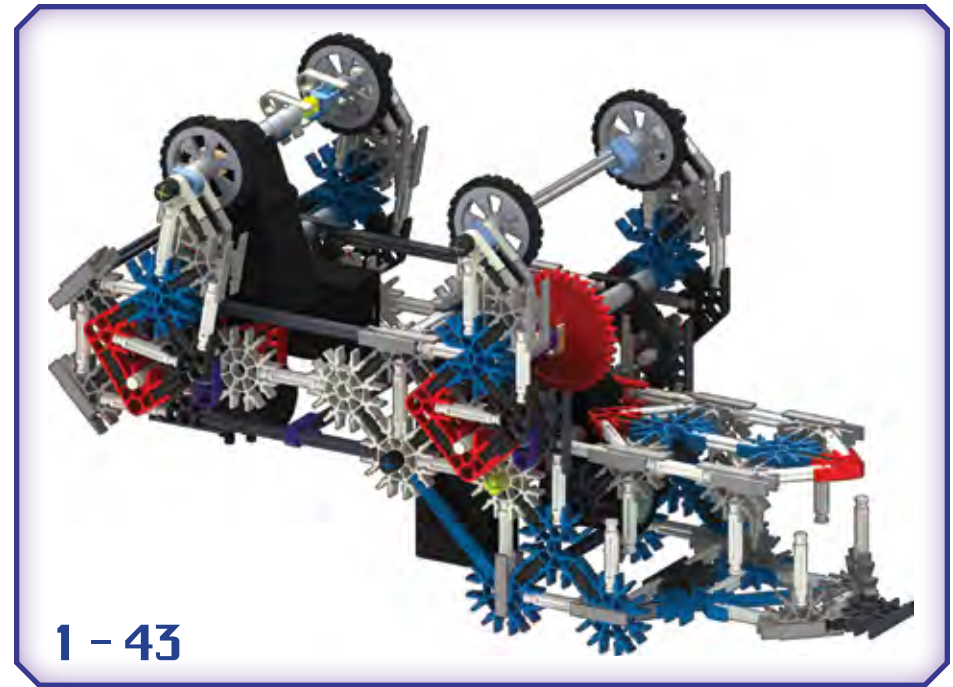
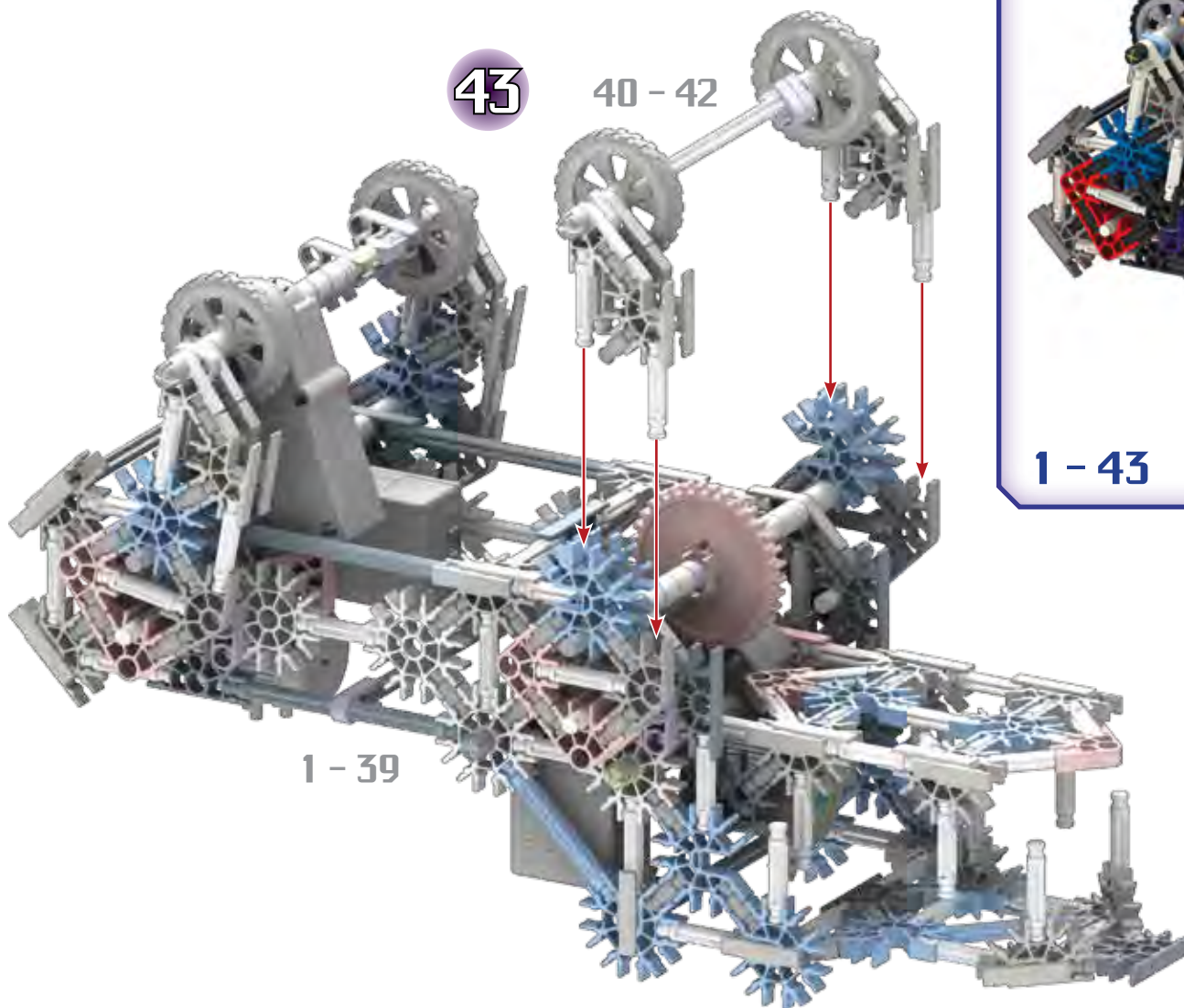
1 - 39



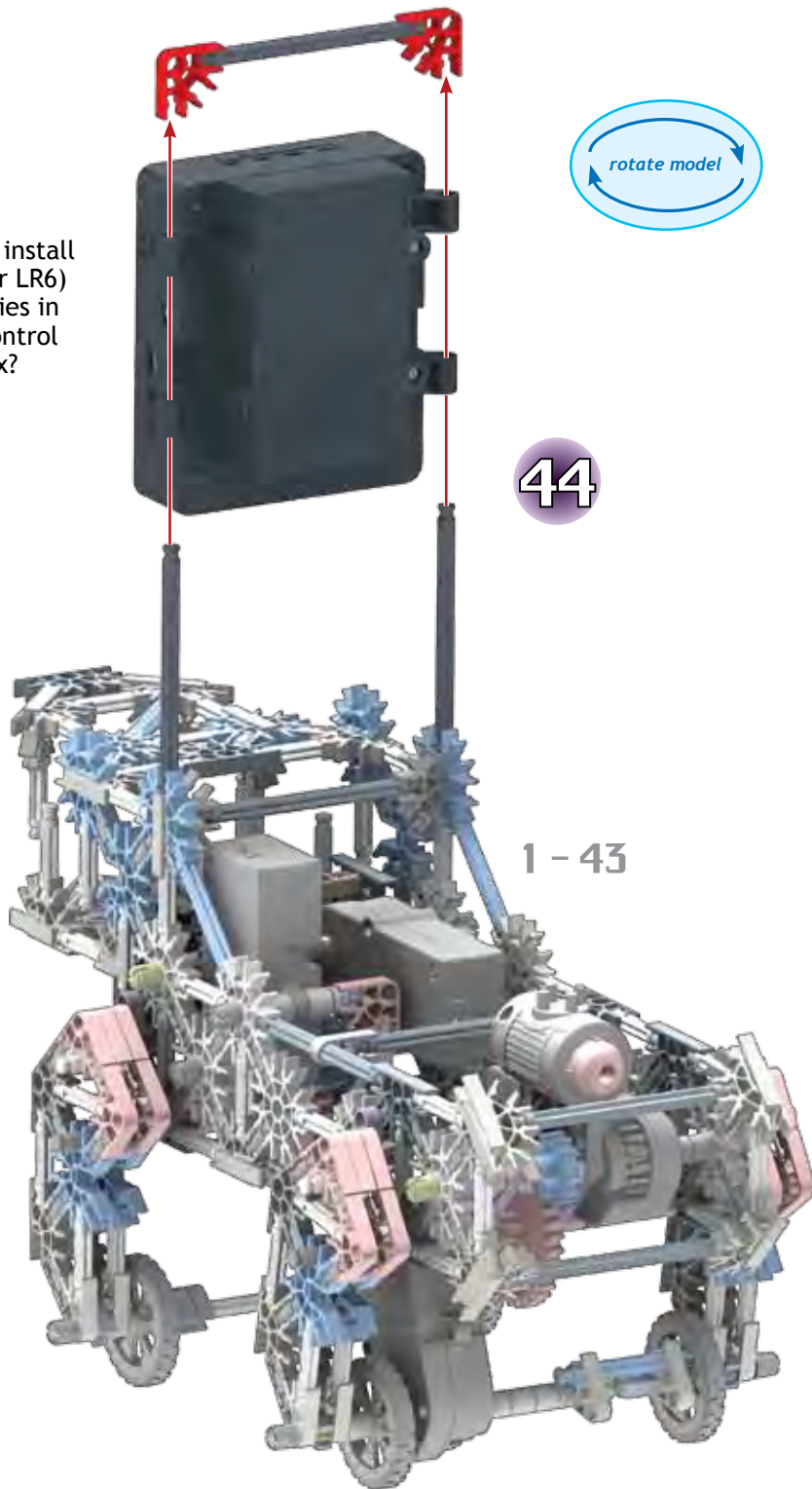
- |   |   |   |   |   |
|---|---|---|---|---|
| 2 | 2 | 4 | 2 | 2 |
| 6 | 2 |   |   |   |
| 8 | 4 |   |   |   |
| 6 |   |   |   |   |
| 1 |   |   |   |   |







Did you install  
6 AA (or LR6)  
batteries in  
the Control  
Box?



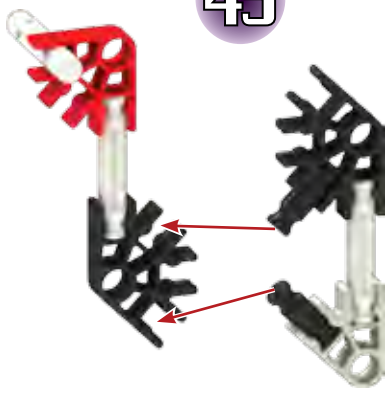
rotate model

- 4 [part]
- 6 [part]
- 2 [part]
- 2 [part]
- 4 [part]

- 2 [part]
- 2 [part]

x2

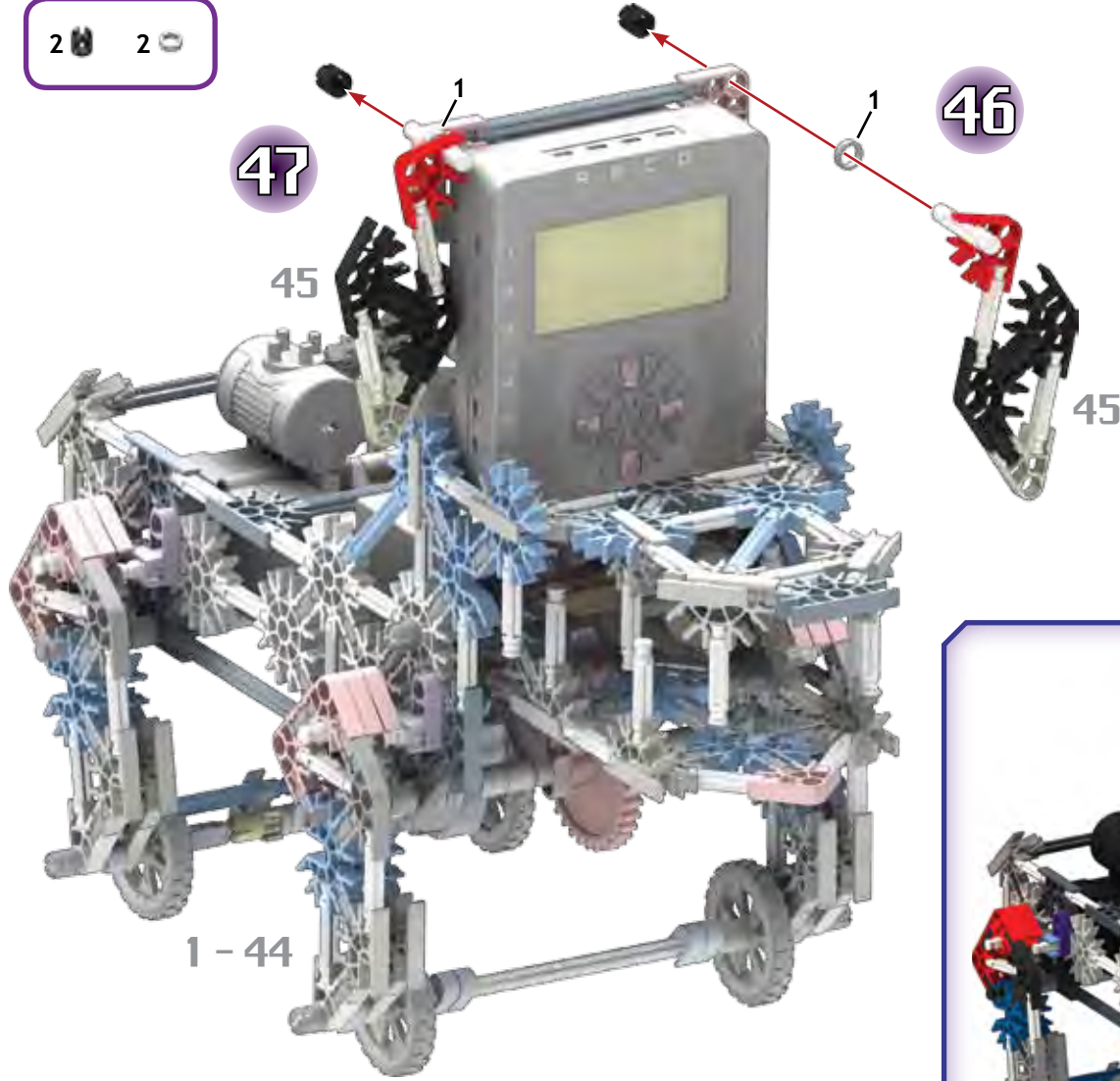
45



x2



45



1 - 44

46

45

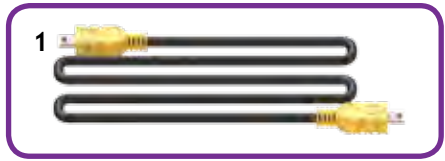
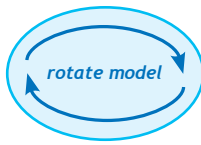


1 - 47

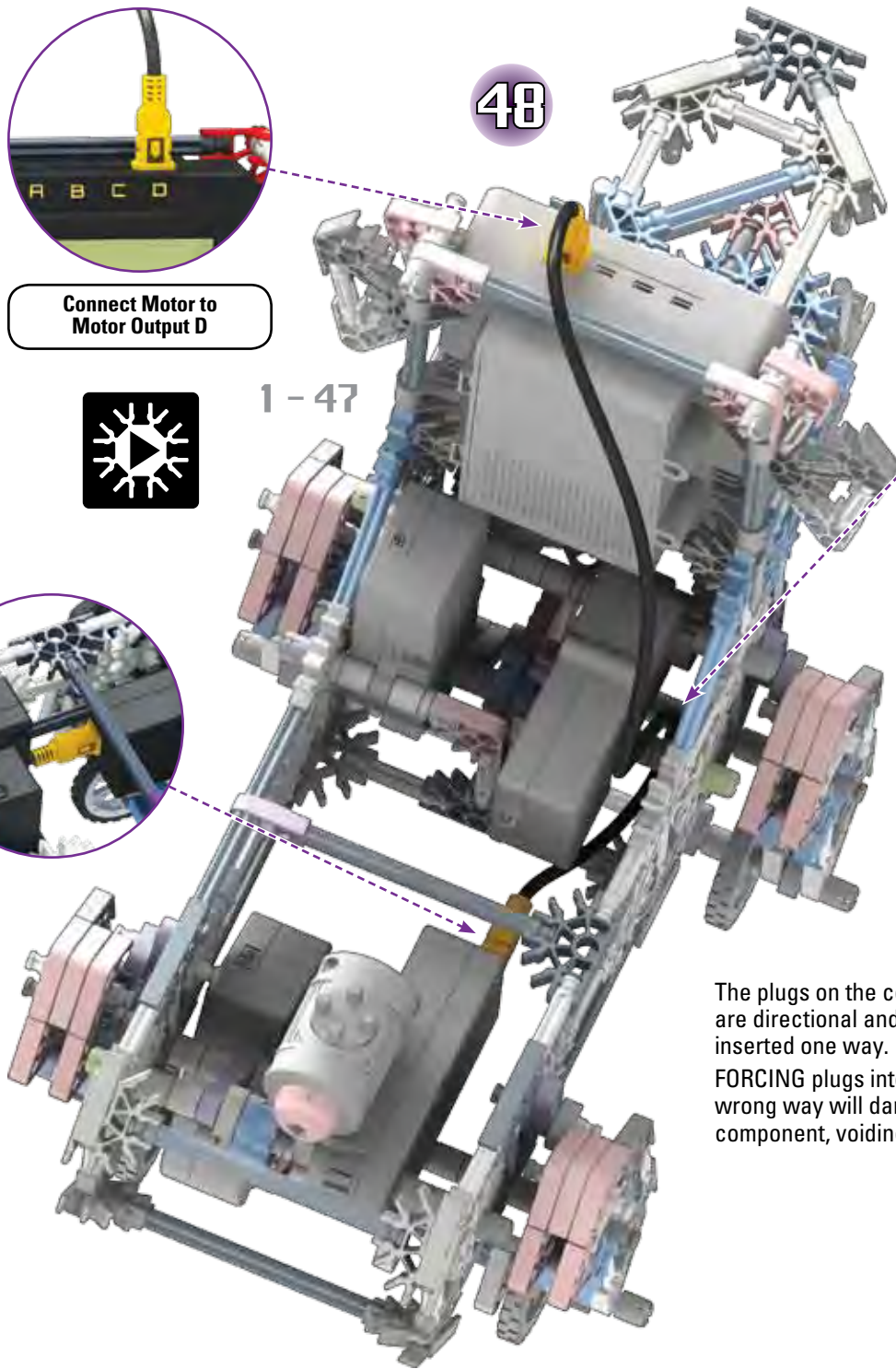


Connect Motor to Motor Output D

48



1 - 47

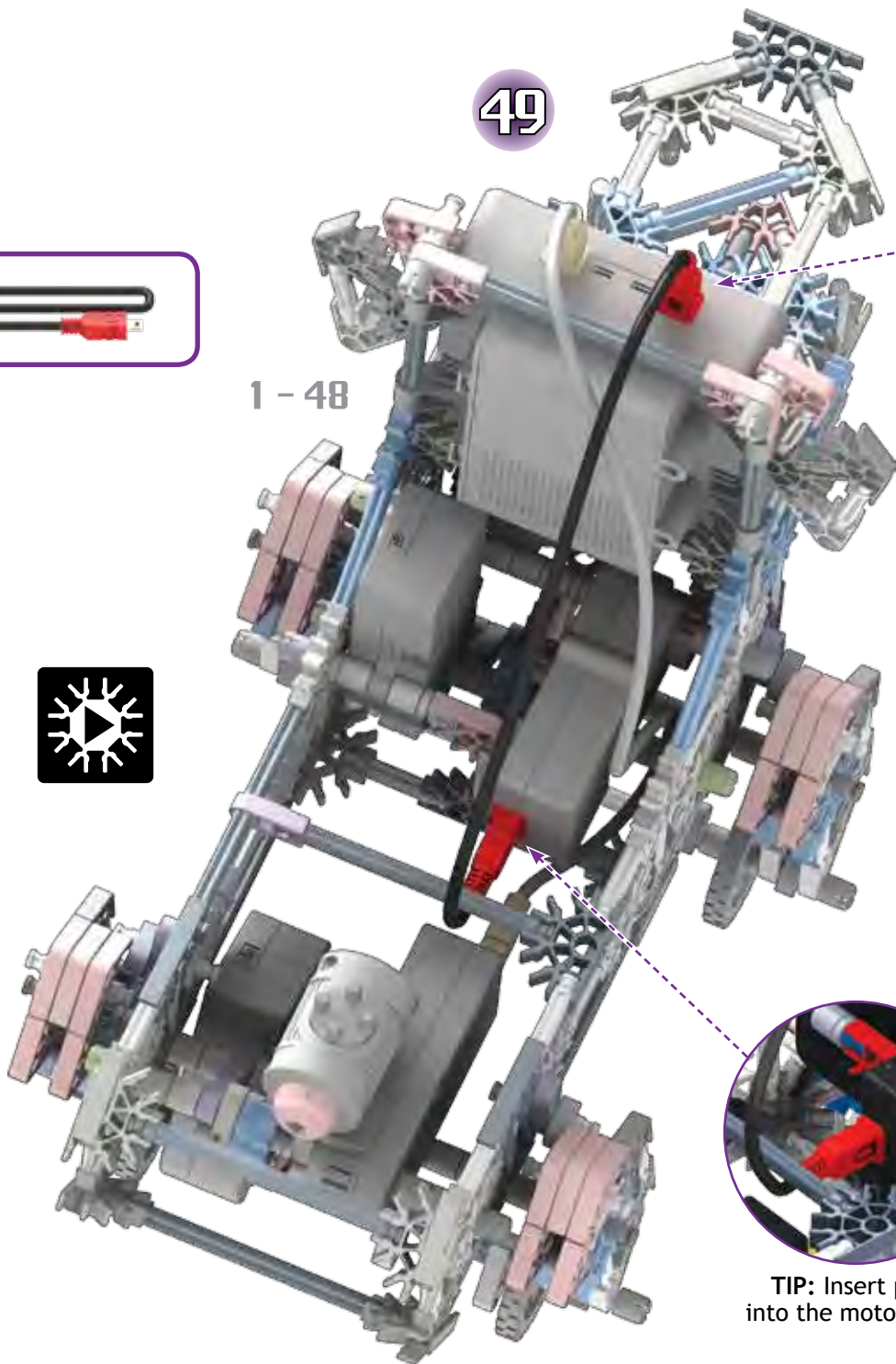


The plugs on the connection cables are directional and can only be inserted one way. FORCING plugs into connections the wrong way will damage the plug and component, voiding any warranties!

49



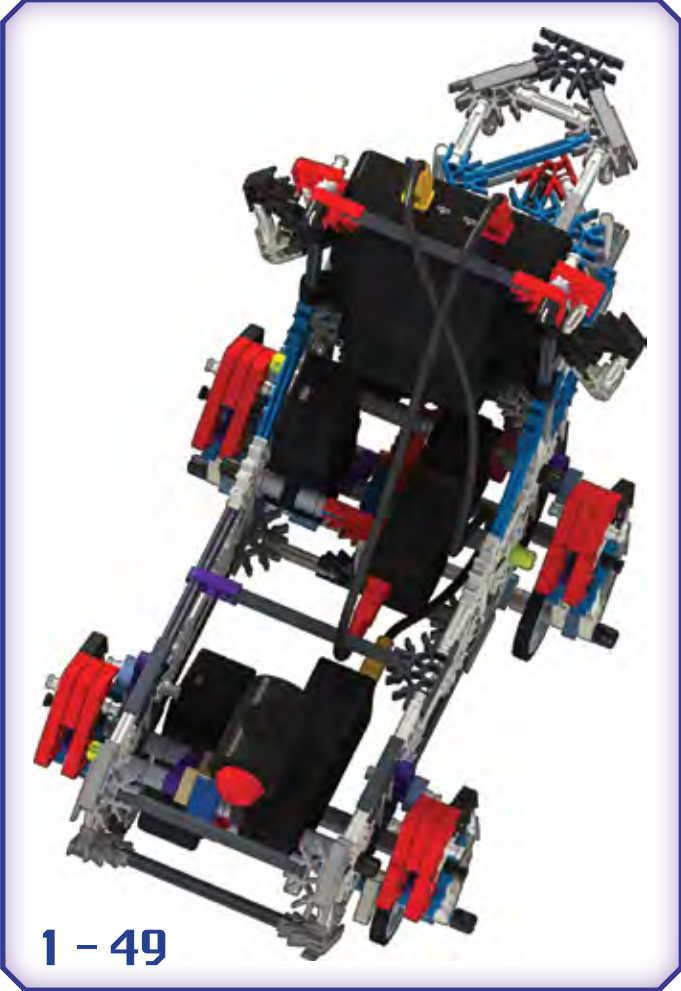
1 - 48



Connect Motor to Motor Output A

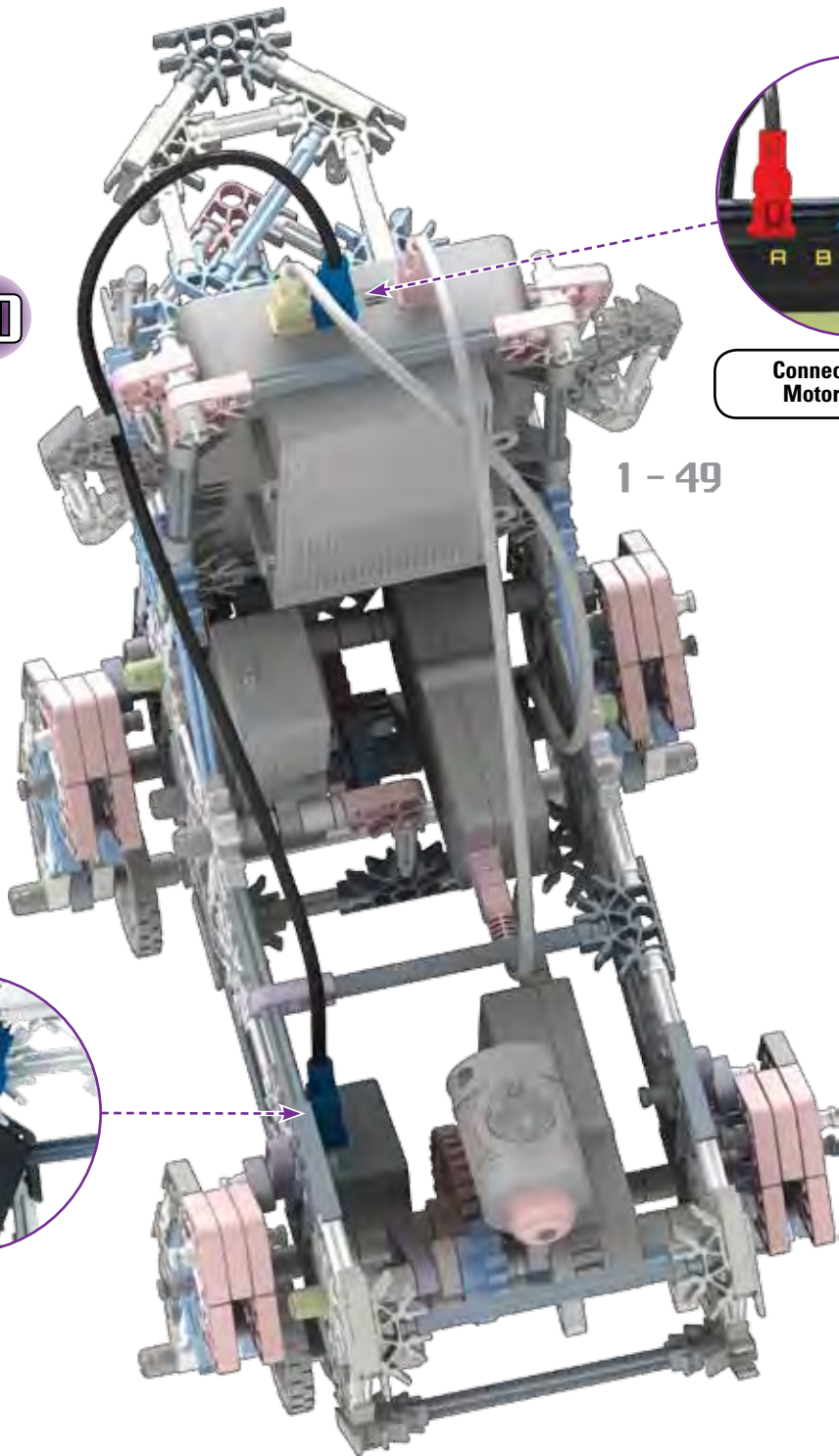


TIP: Insert plug into the motor first.



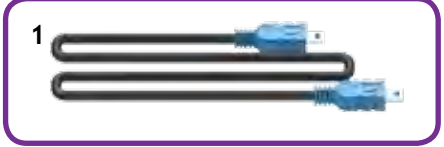
1 - 49

50

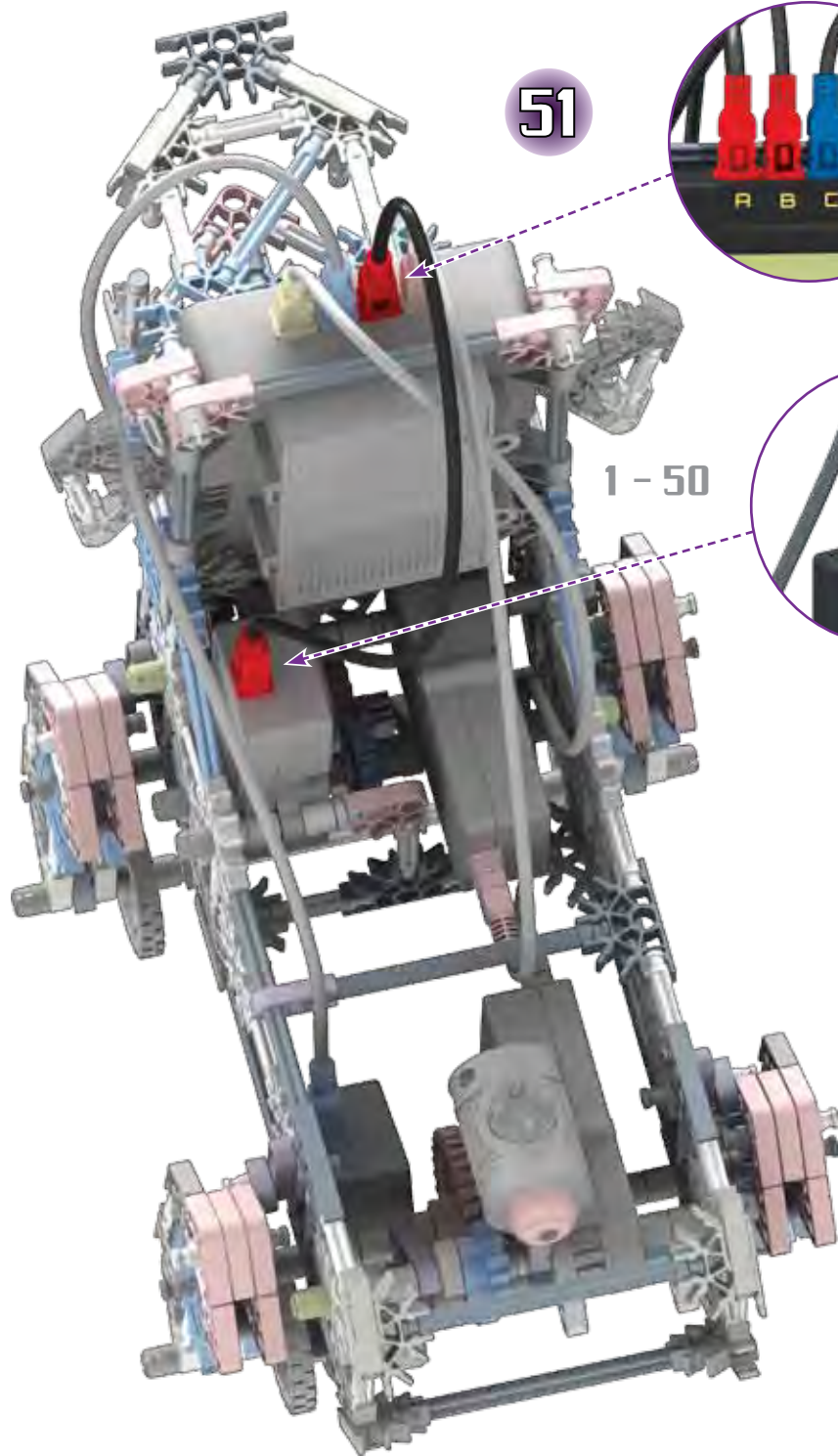


Connect Motor to Motor Output C

1 - 49



1 - 50



51



Connect Motor to  
Motor Output B



1 - 50



1 - 51

rotate model

52

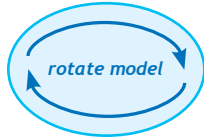
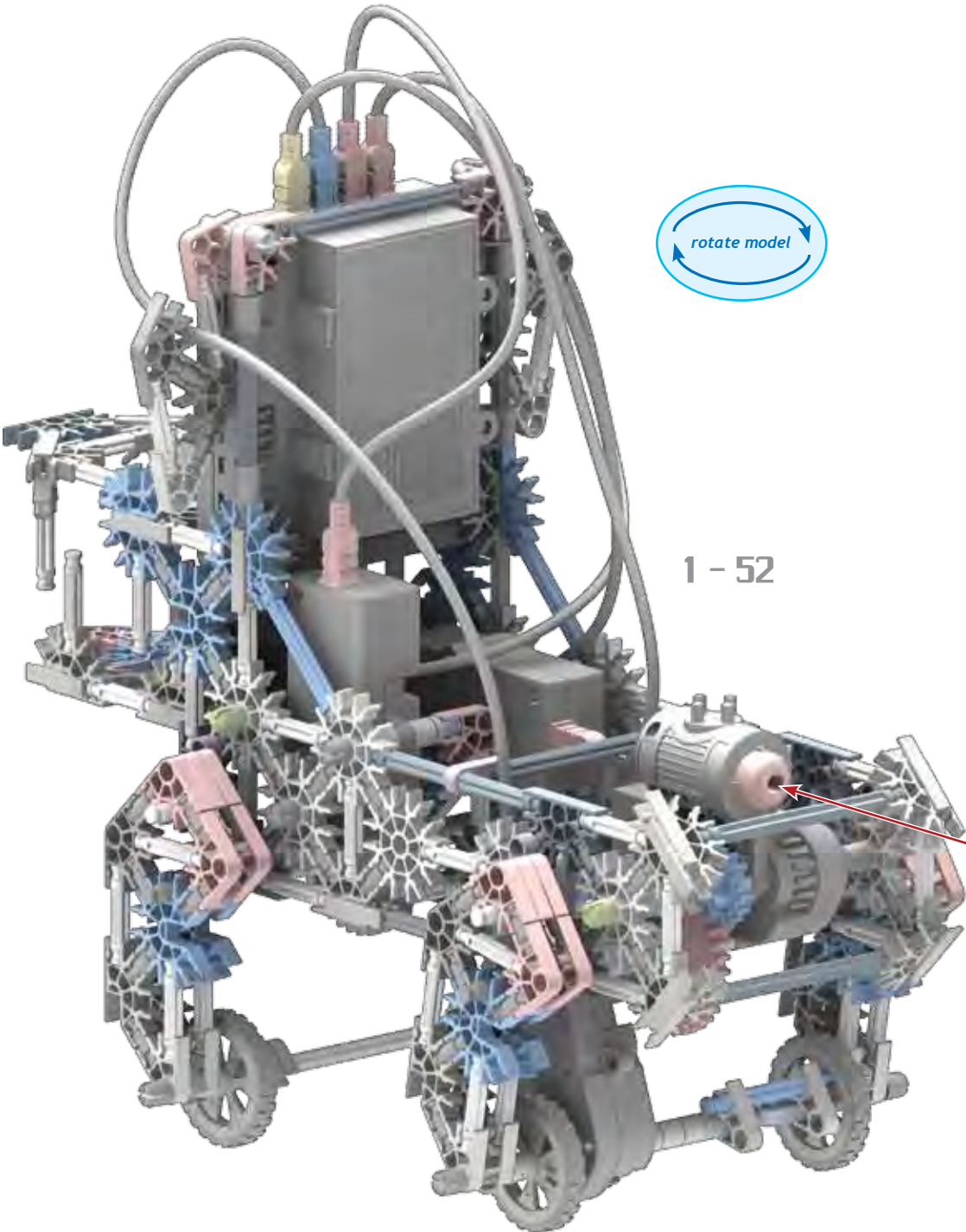
Connect Color/Light Sensor to Sensor Input 1



1 - 51



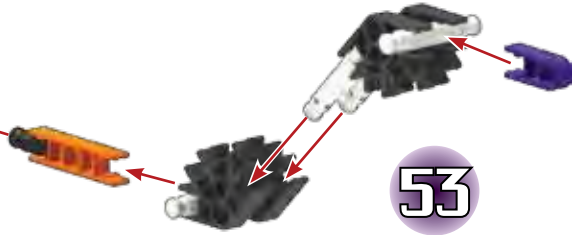




1 - 52

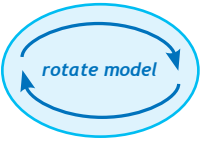


1 - 53



53

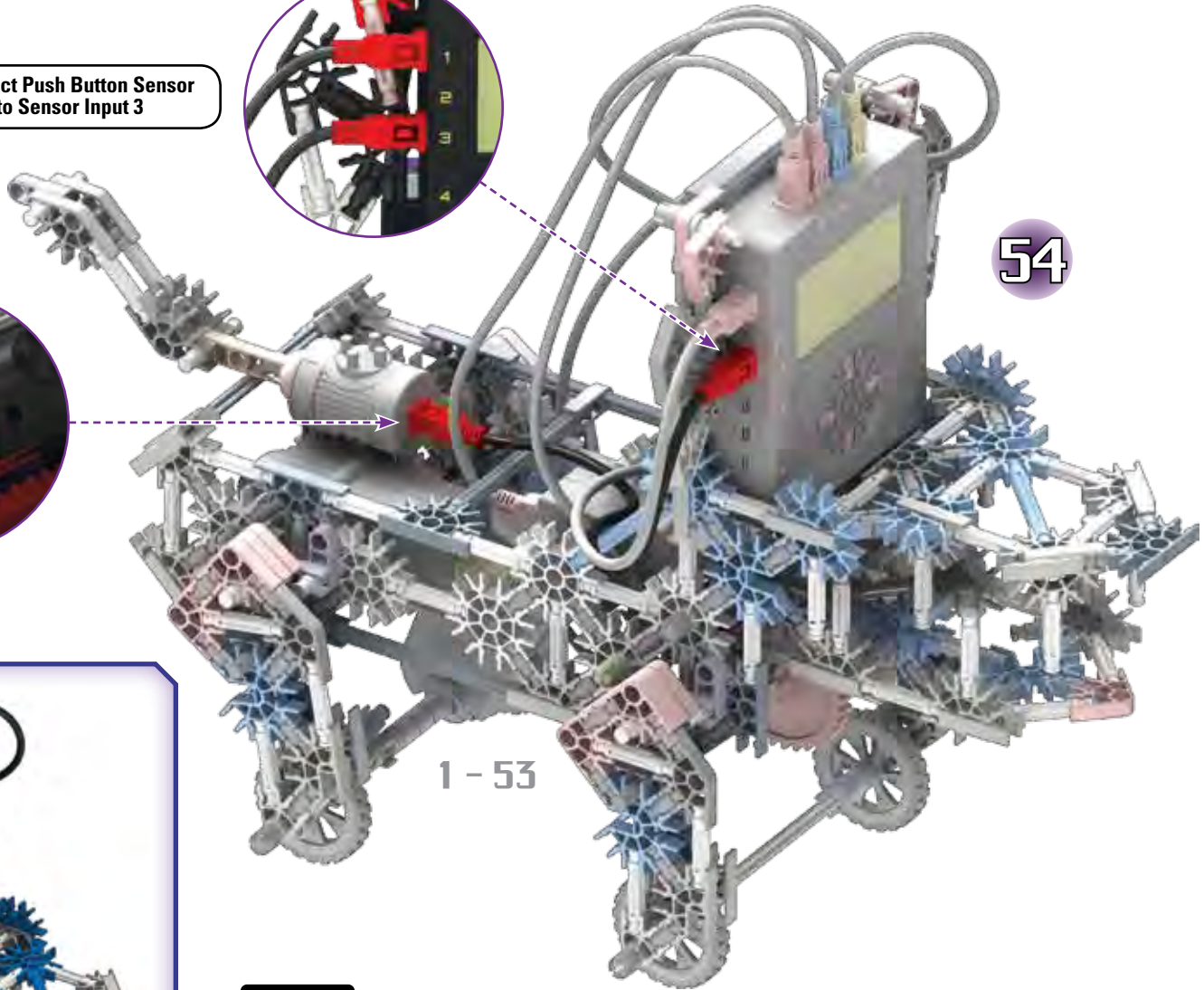
1	1
4	1
1	4



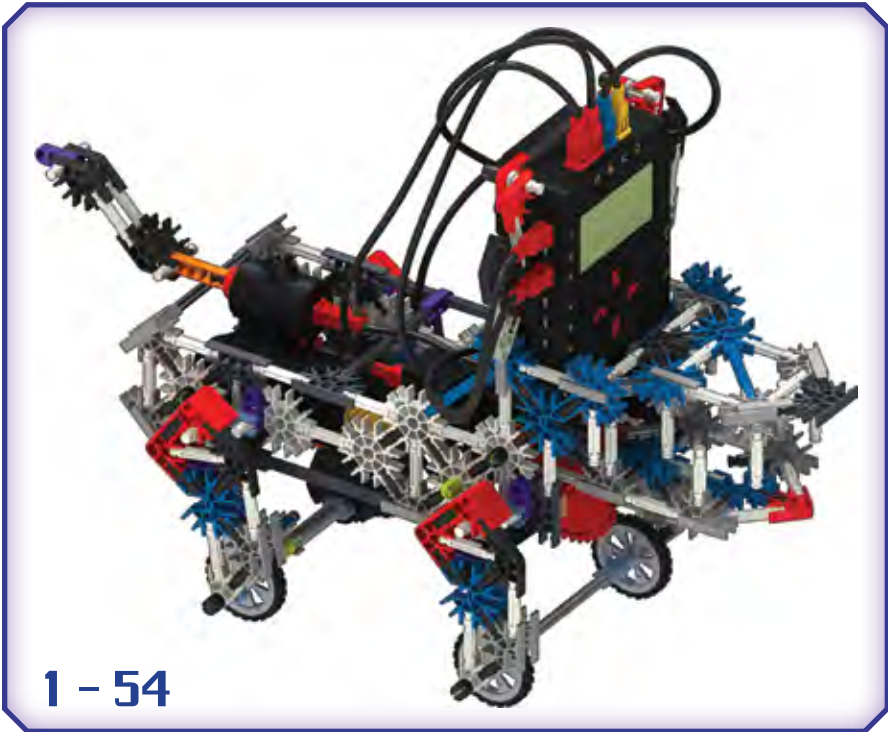
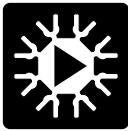
Connect Push Button Sensor to Sensor Input 3



54



1 - 53



1 - 54

# DOG

1 - 55



TIP: You can lift the ear up to make it easier to insert plug.

Connect Distance Sensor to Sensor Input 2

55



1 - 54

