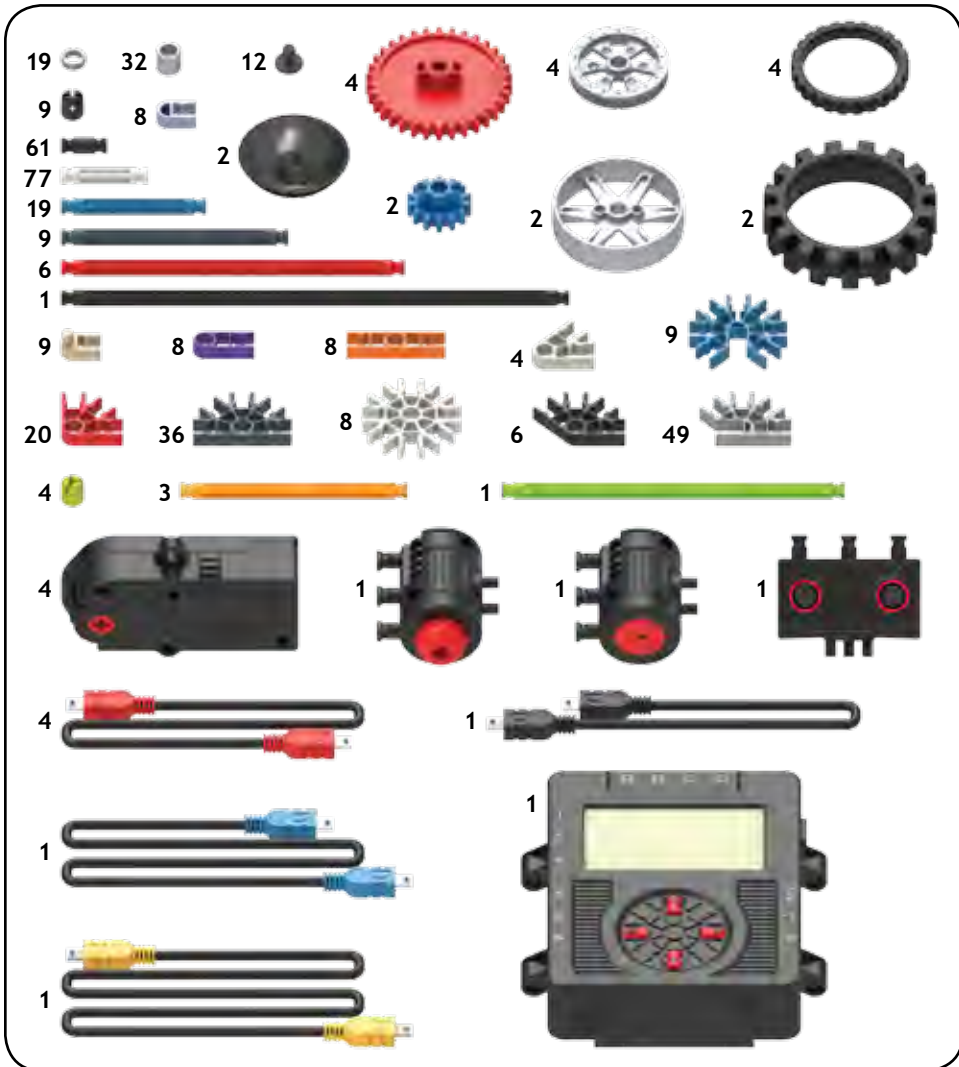
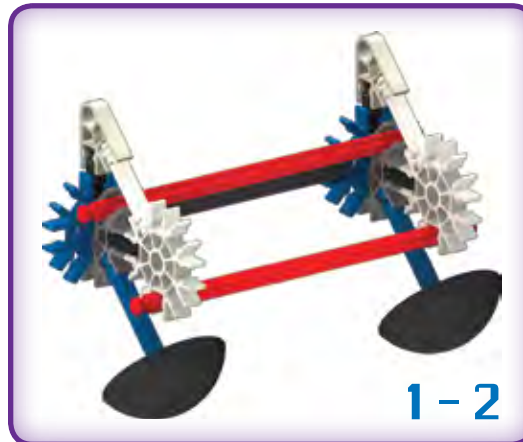
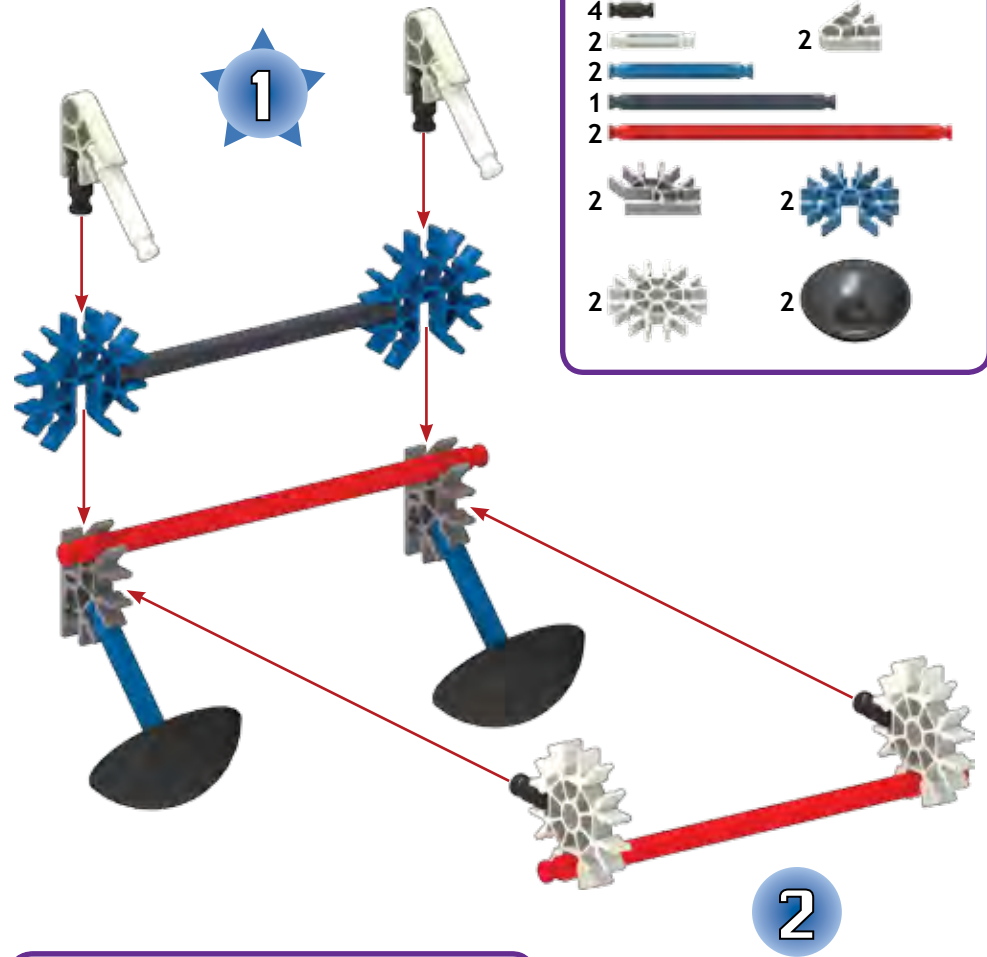


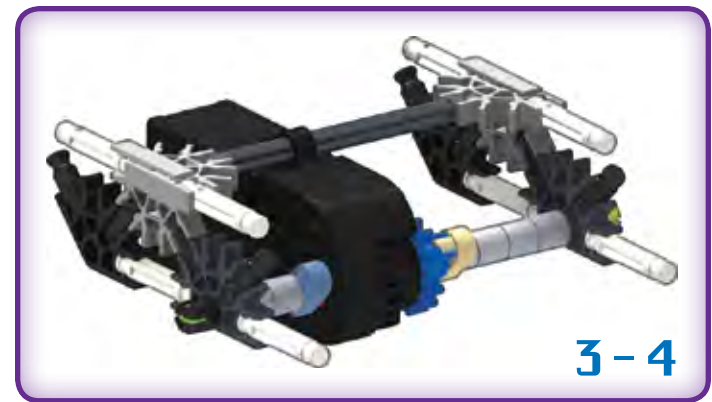
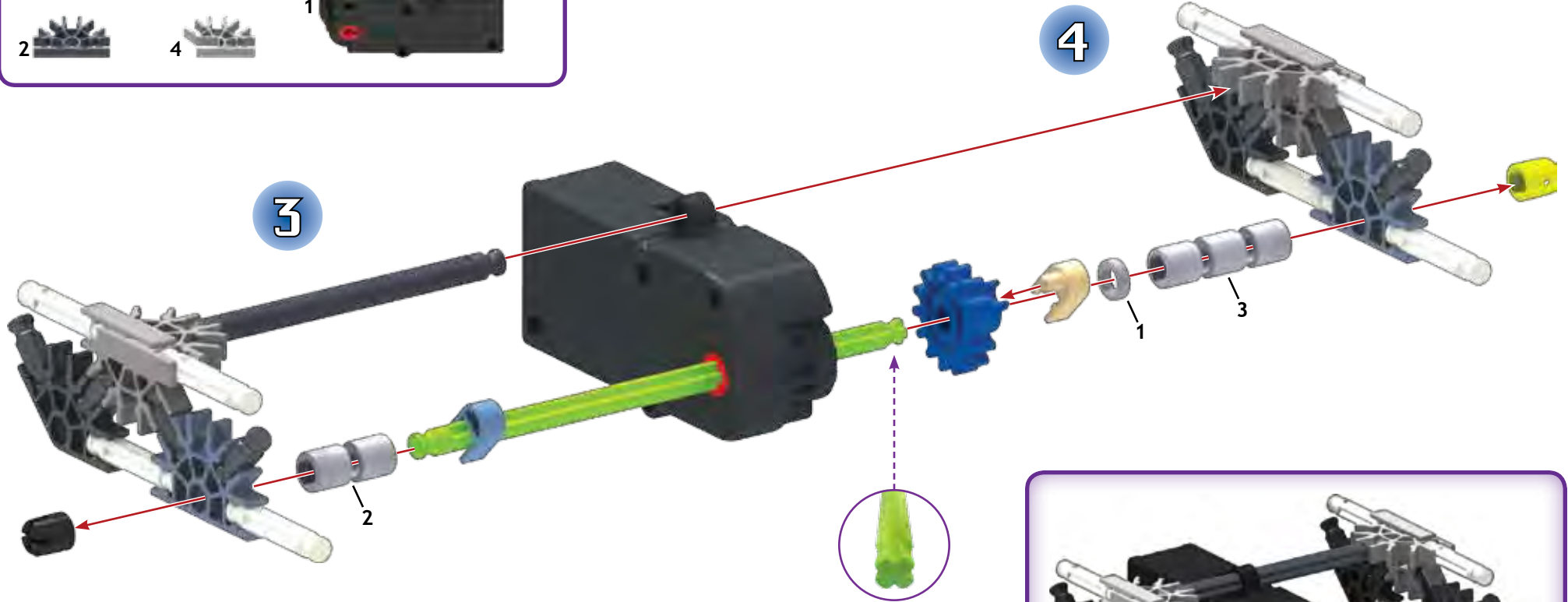
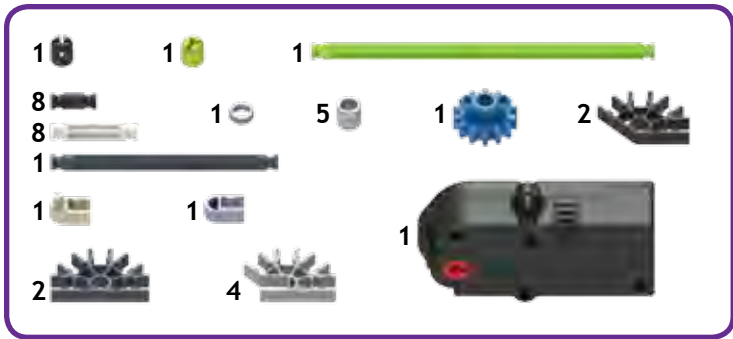
SEARCH AND RESCUE ROBOT

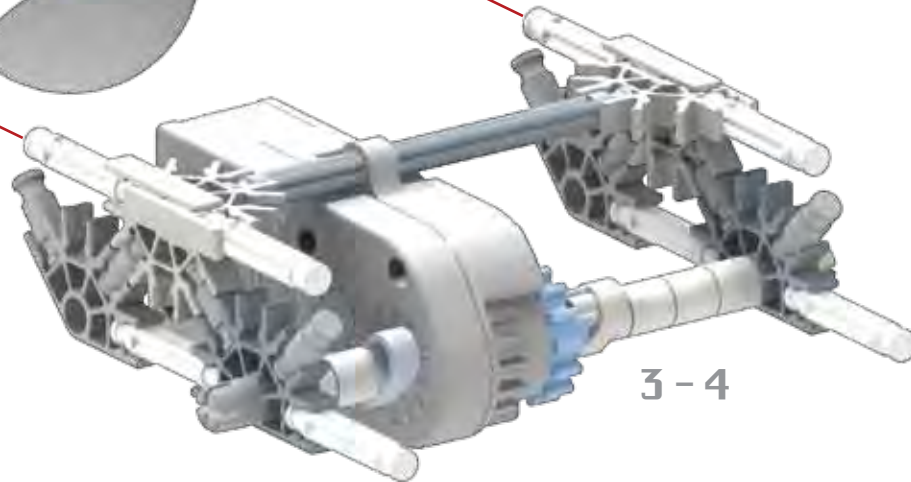
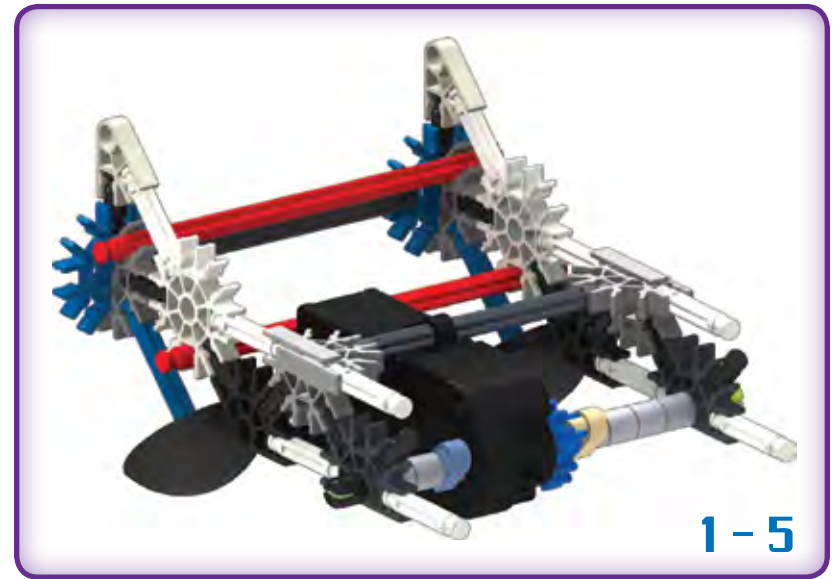
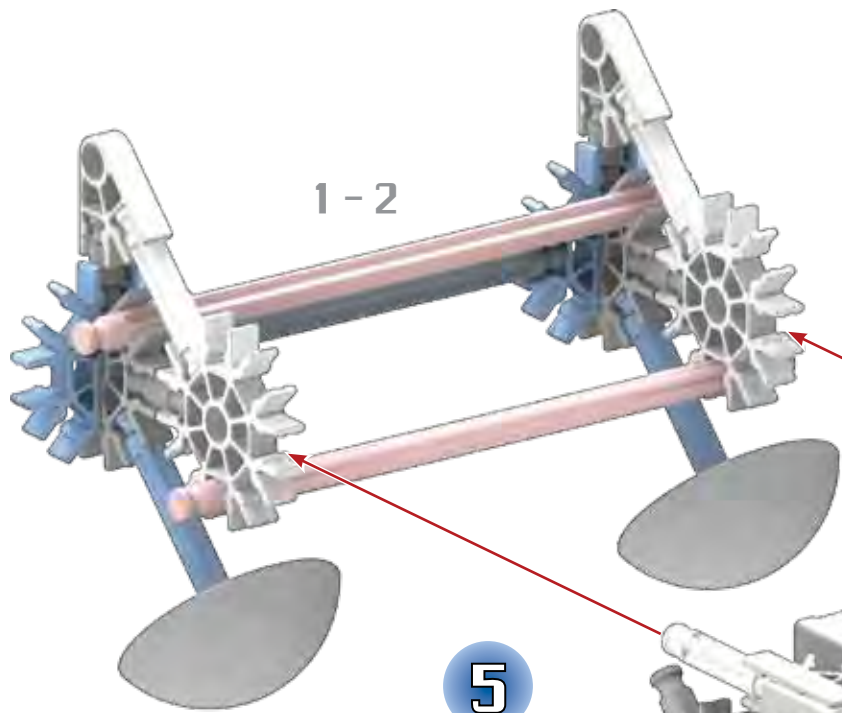


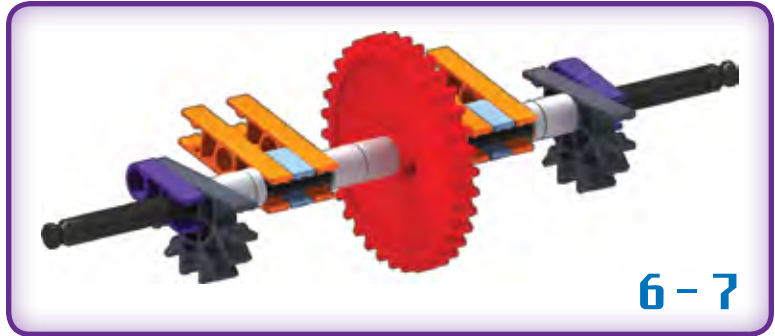
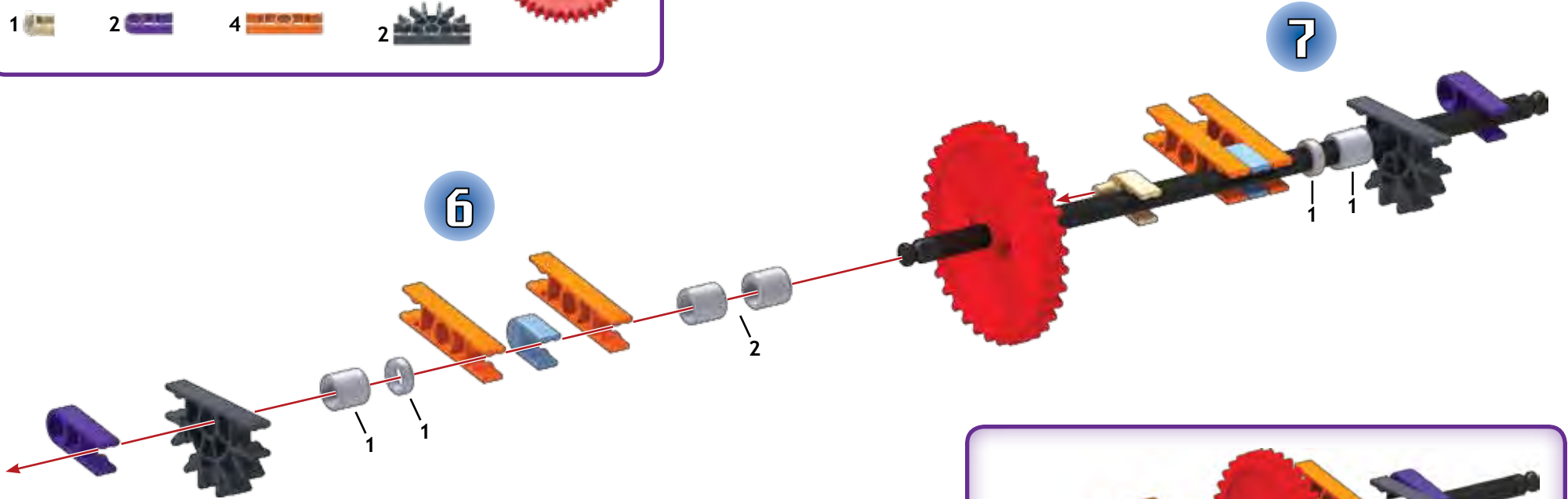
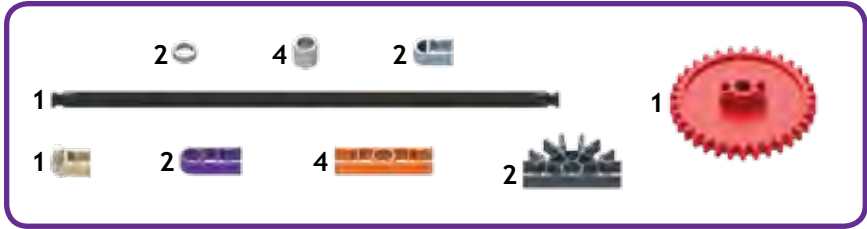
1 SEARCH AND RESCUE ROBOT

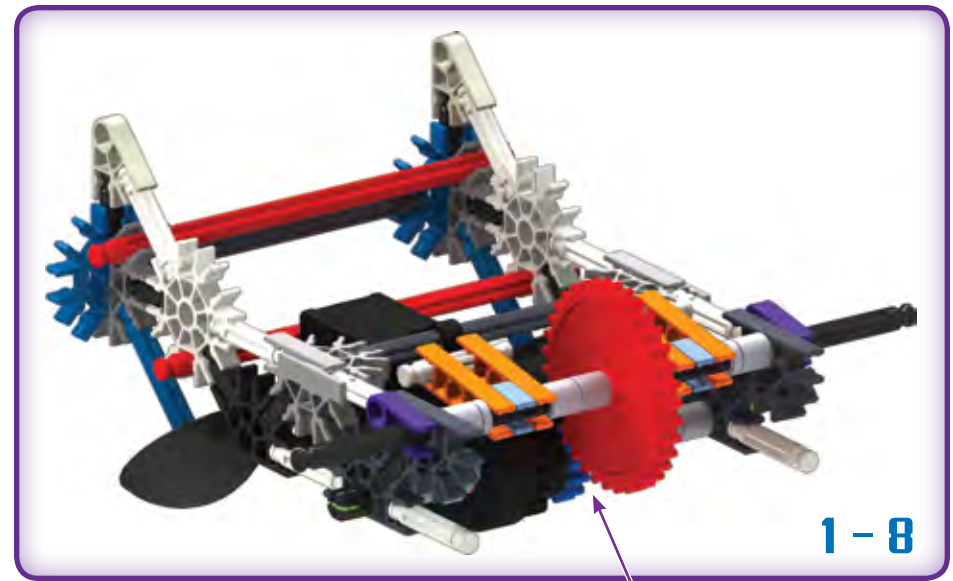
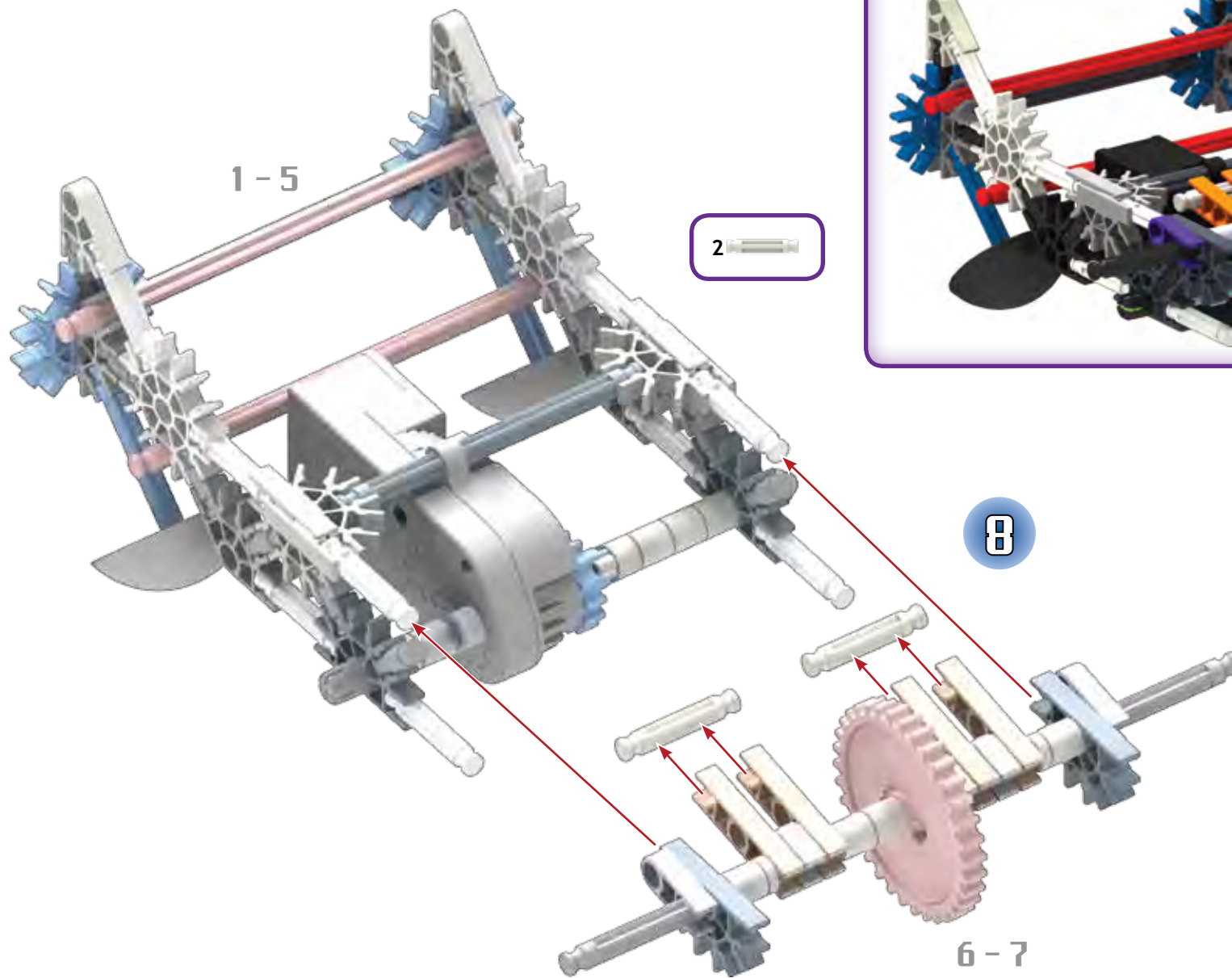


When you see this icon, head to www.knex.com/instructions and enter code **79100** for helpful building tip videos.

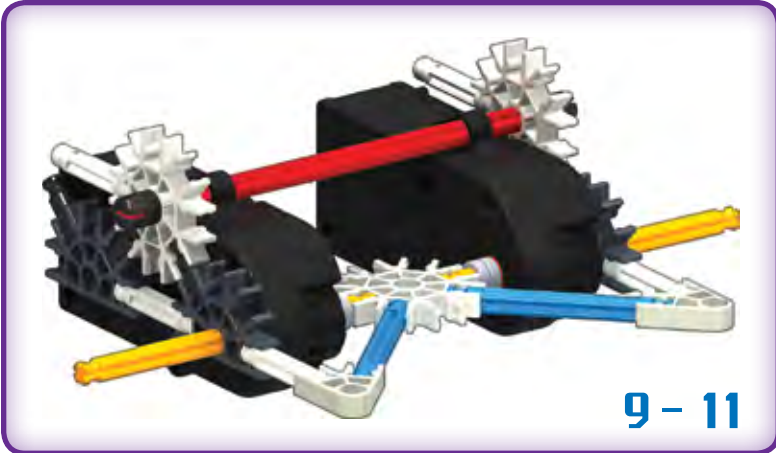
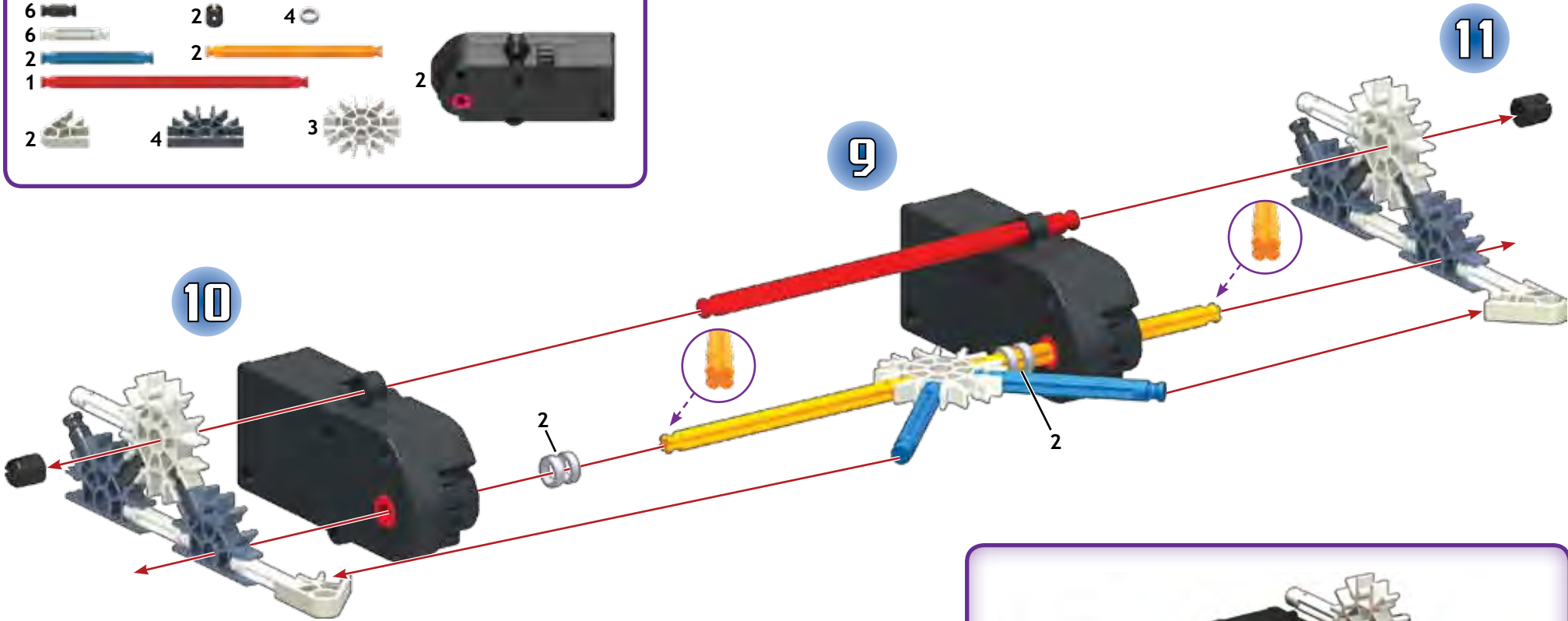


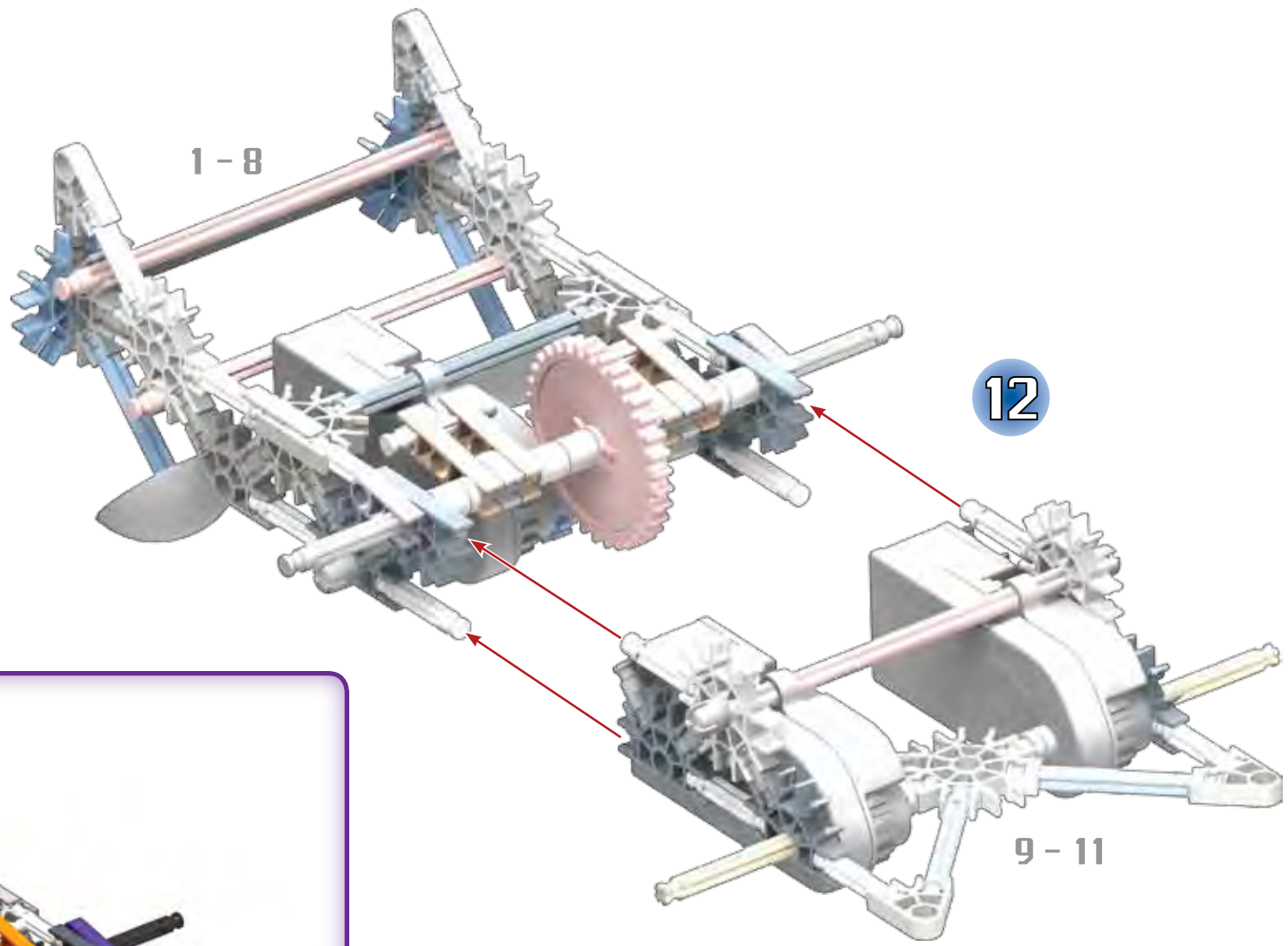




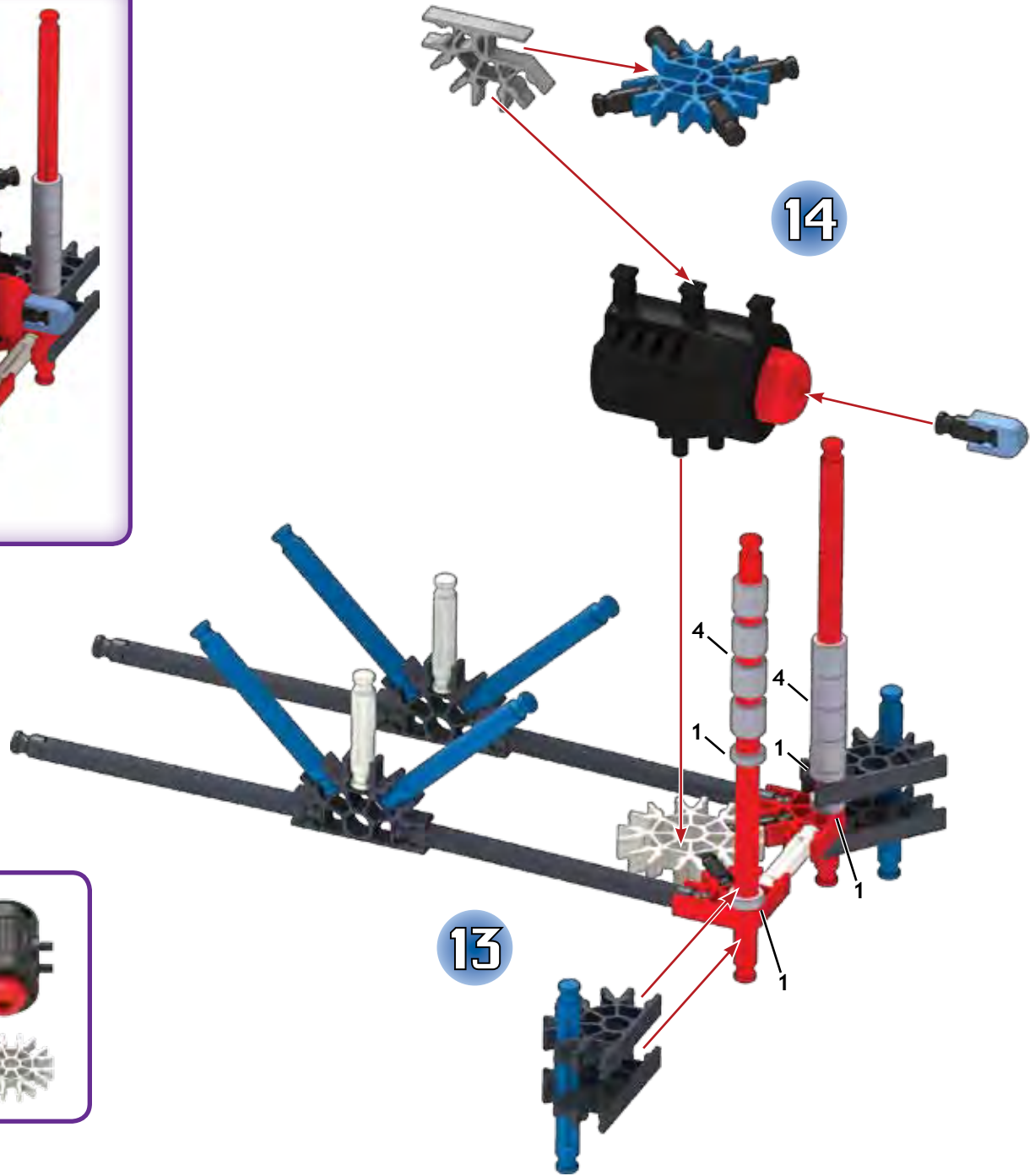


Make sure the gears mesh.

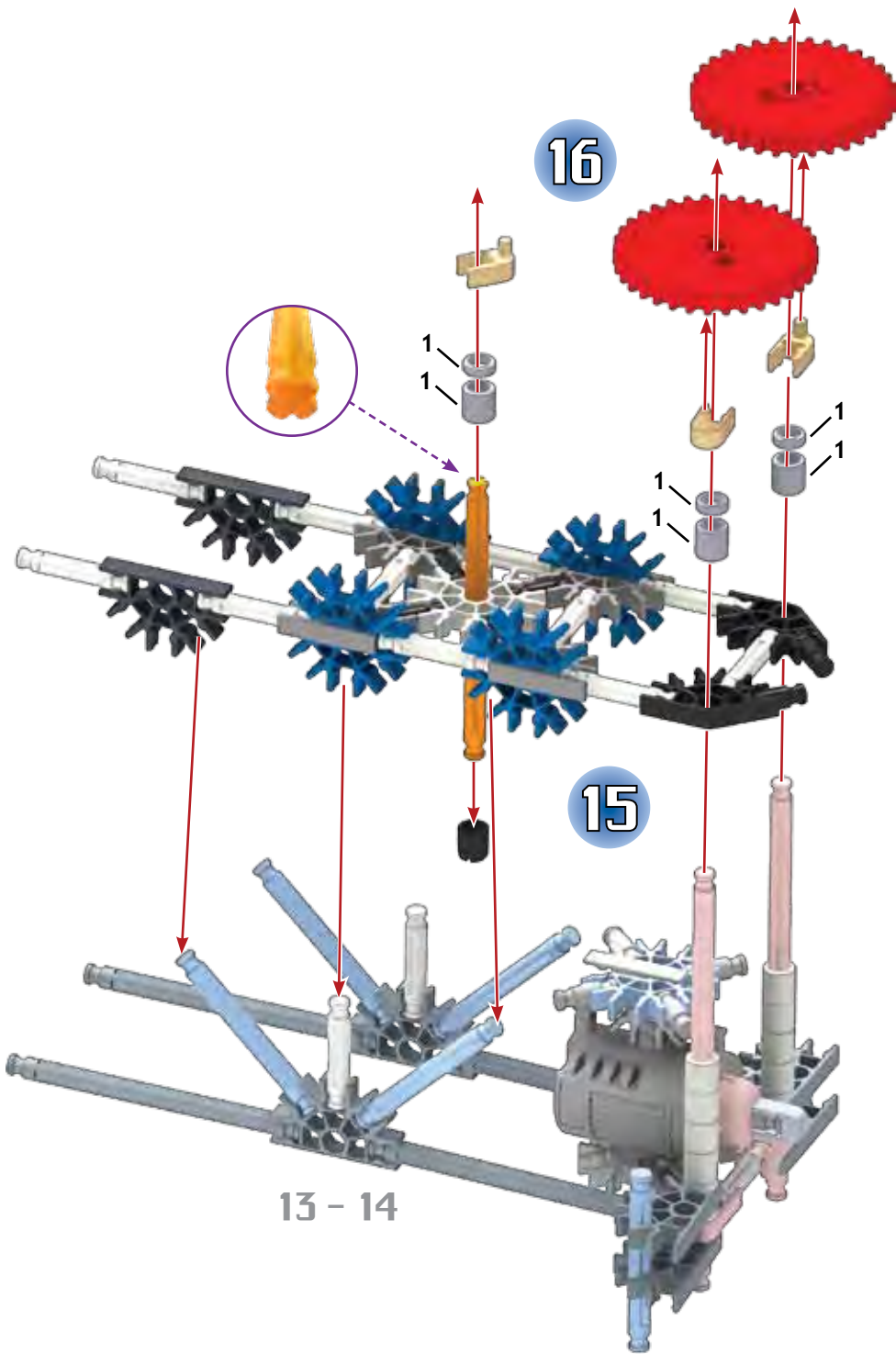




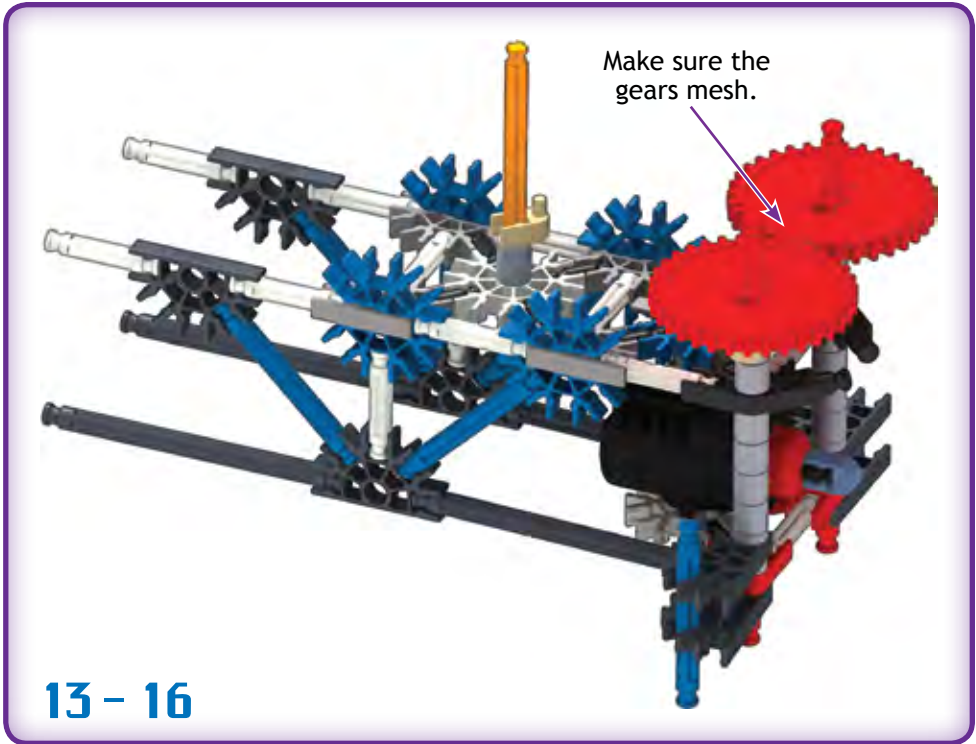
7 SEARCH AND RESCUE ROBOT

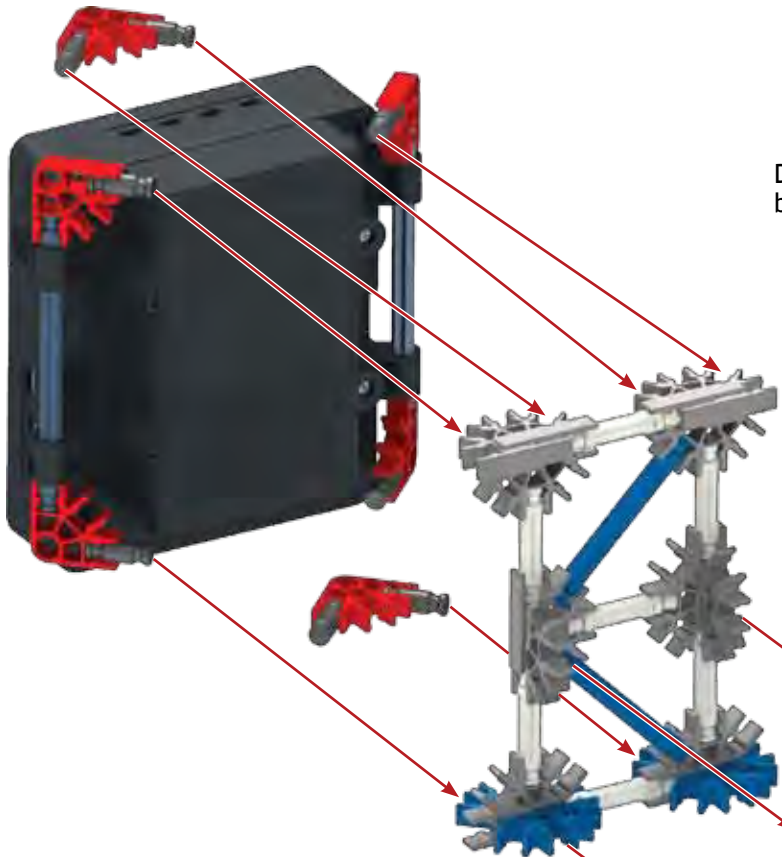


- | | | | | |
|---|---|---|---|---|
| 7 | 4 | 8 | 1 | |
| 3 | | | | 1 |
| 6 | | | 1 | |
| 4 | | | | |
| 2 | | | | |
| 2 | 6 | 1 | 1 | |



- | | | | |
|----|---|---|---|
| 3 | 3 | 1 | 3 |
| 6 | 1 | | |
| 11 | | | |
| 2 | 4 | 4 | |
| 2 | 1 | 2 | |



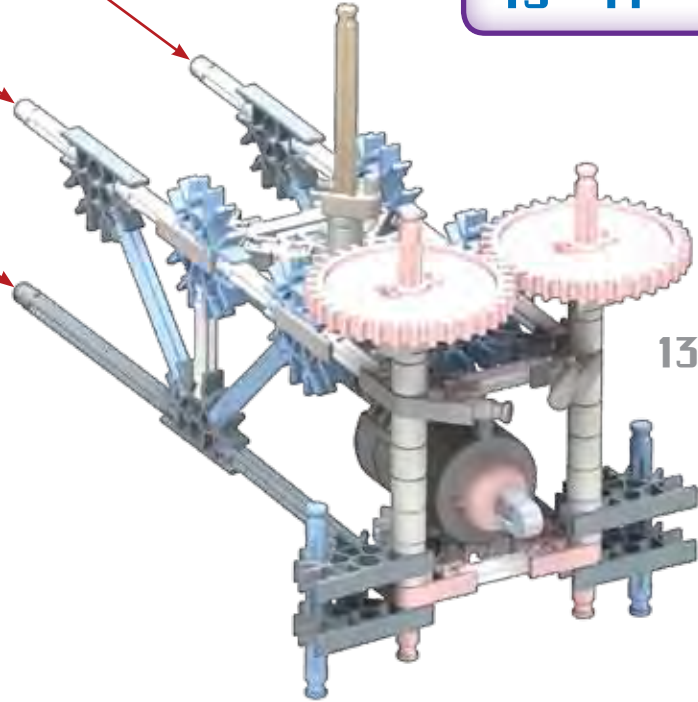


Did you install 6 AA (or LR6) batteries in the Control Box?

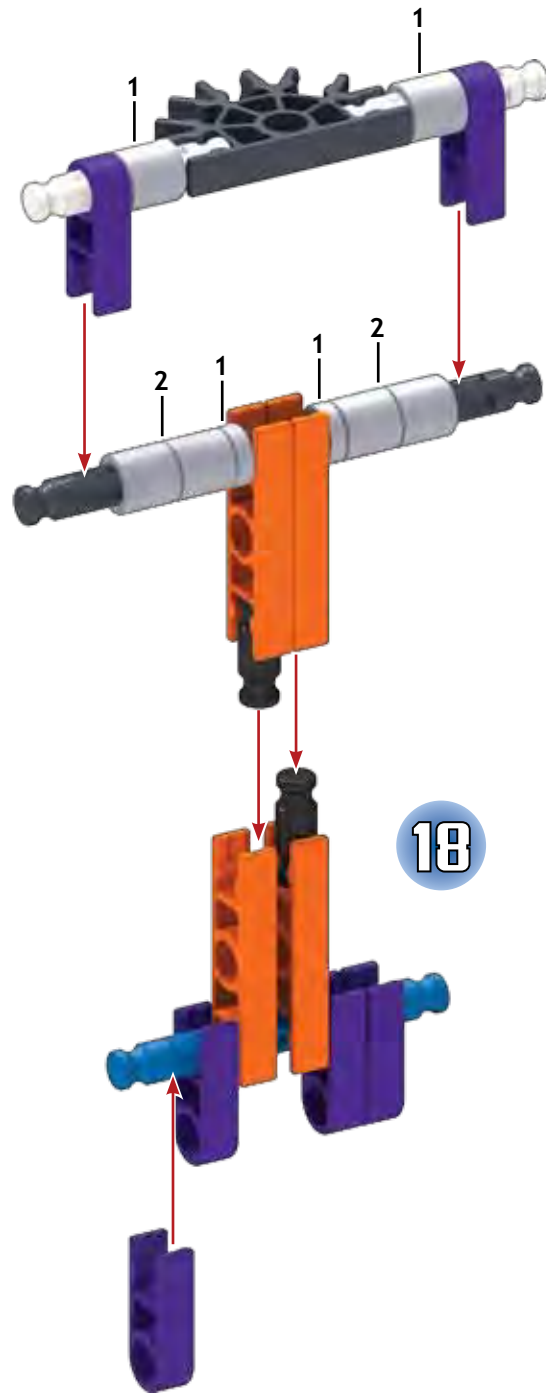
17



13 - 17

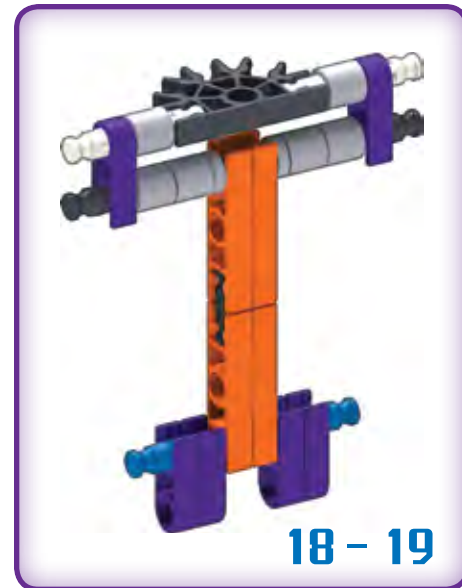


13 - 16

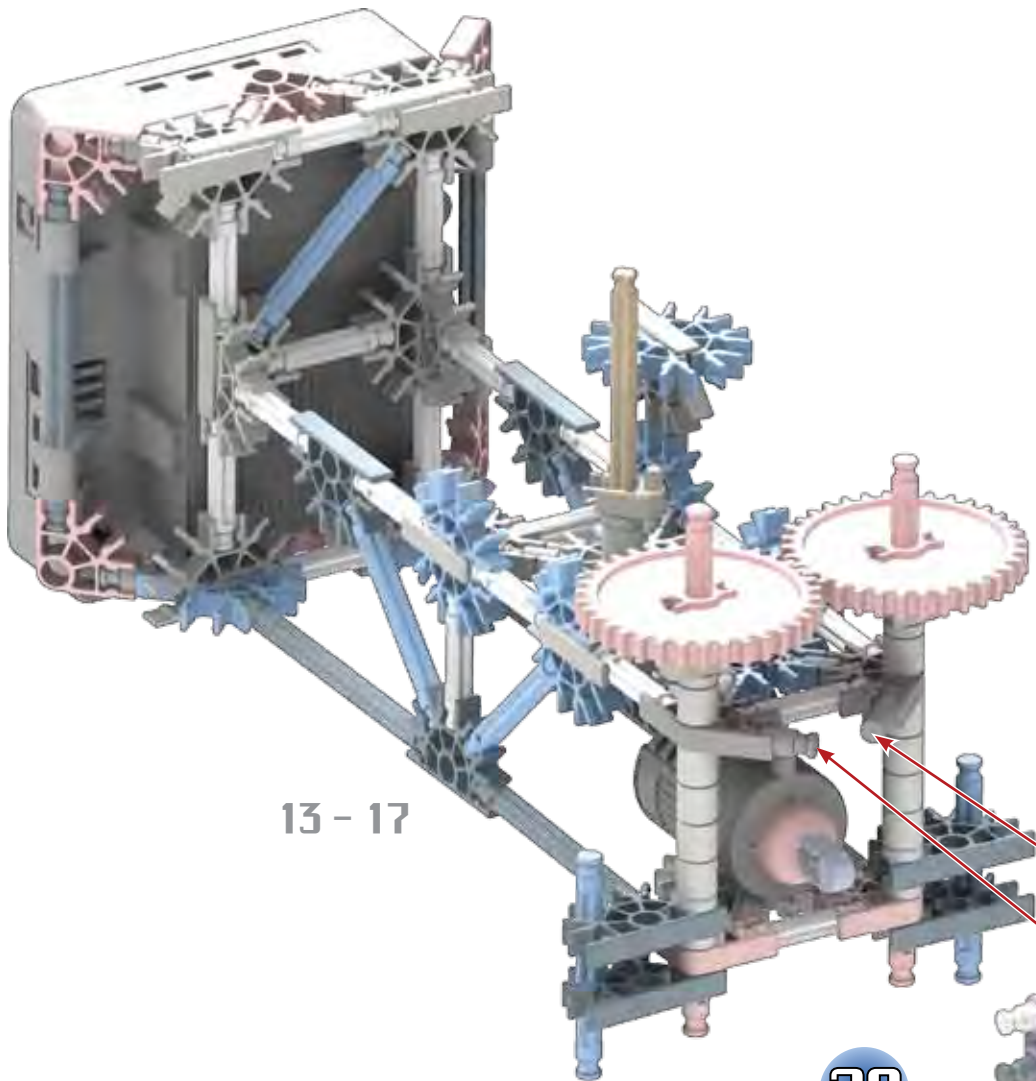


18

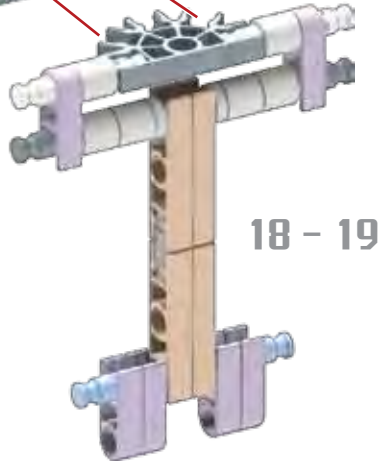
19



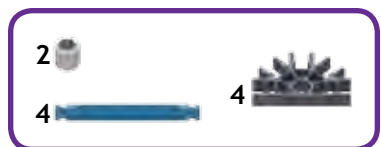
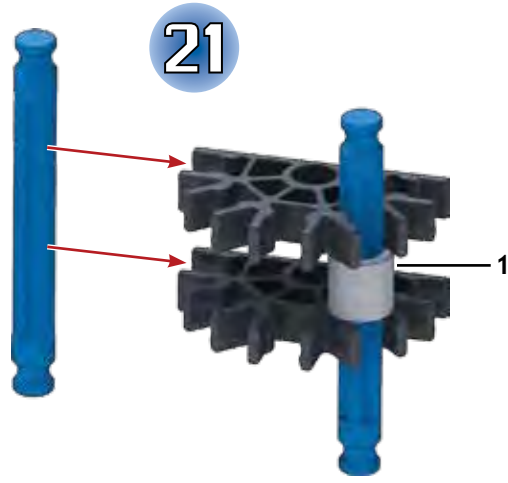
18 - 19



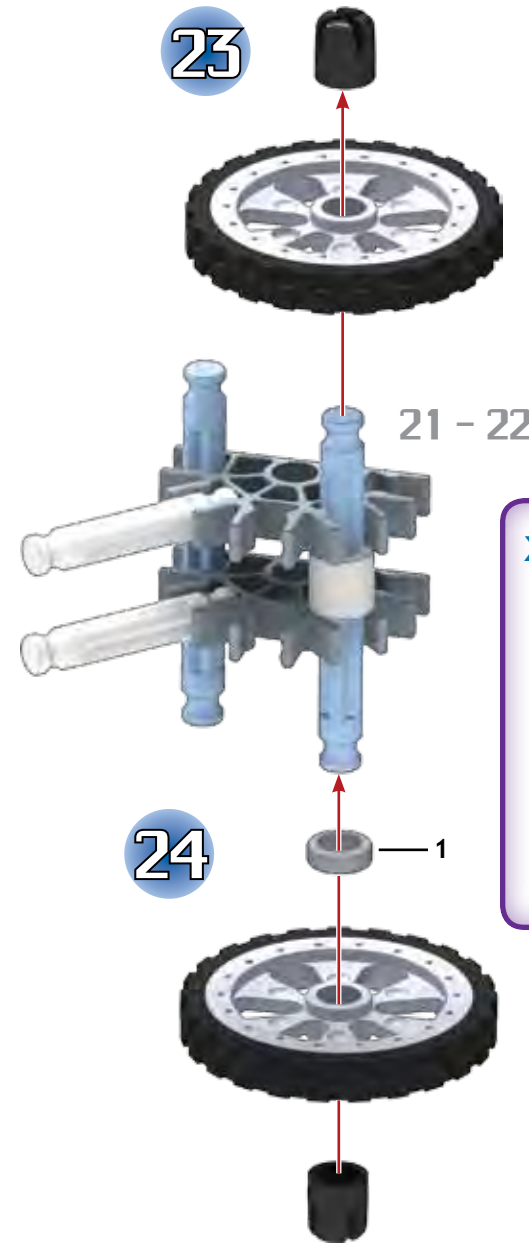
20



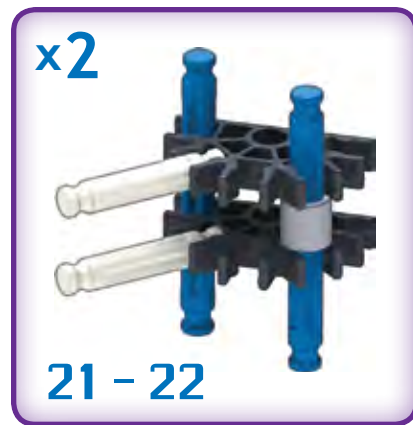
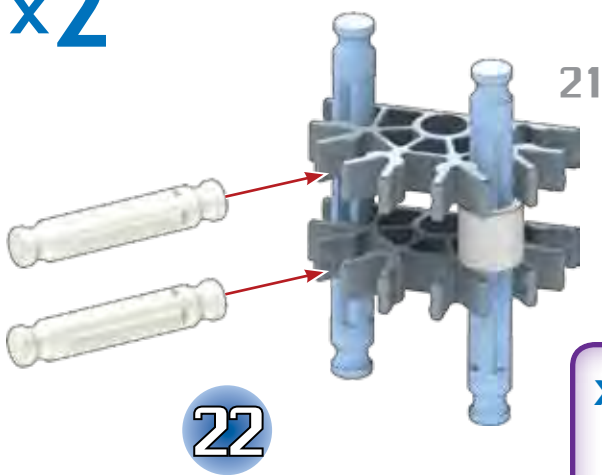
x2

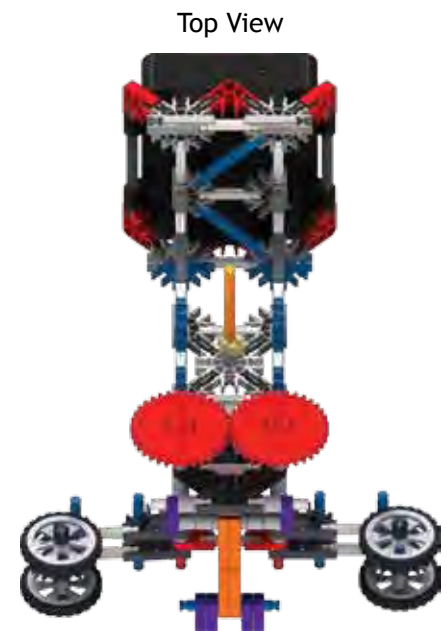
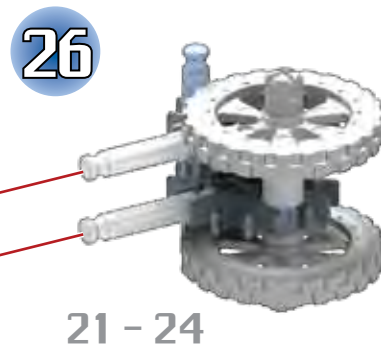
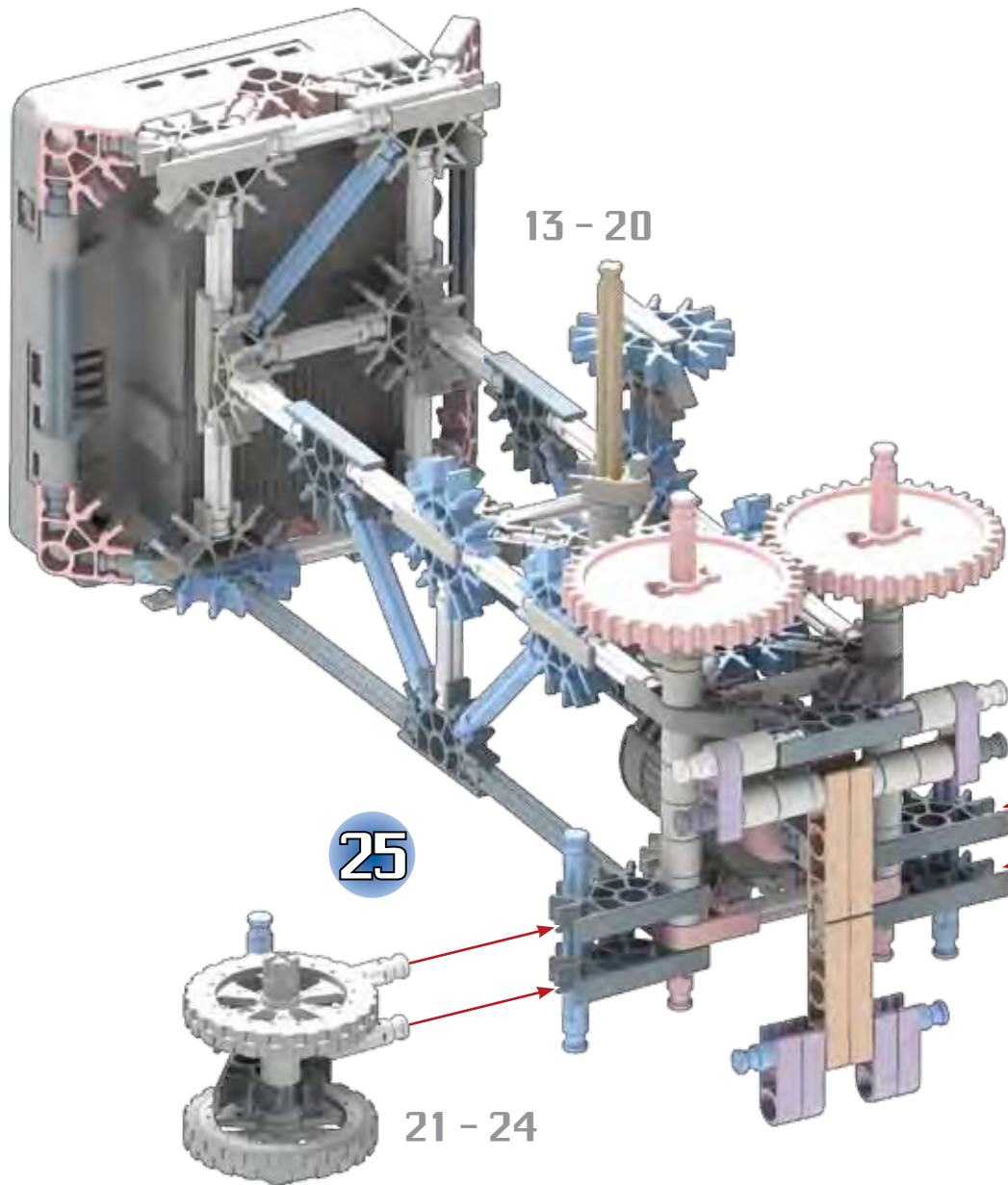


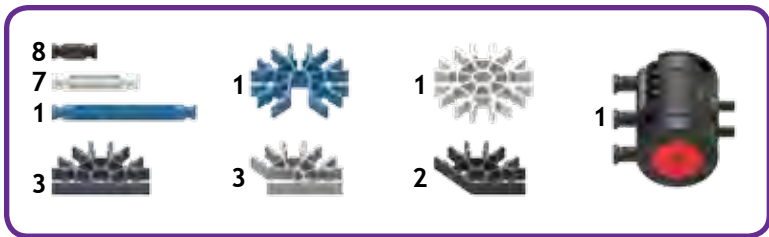
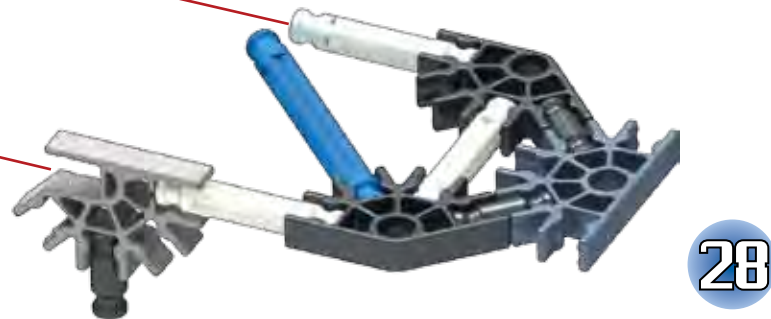
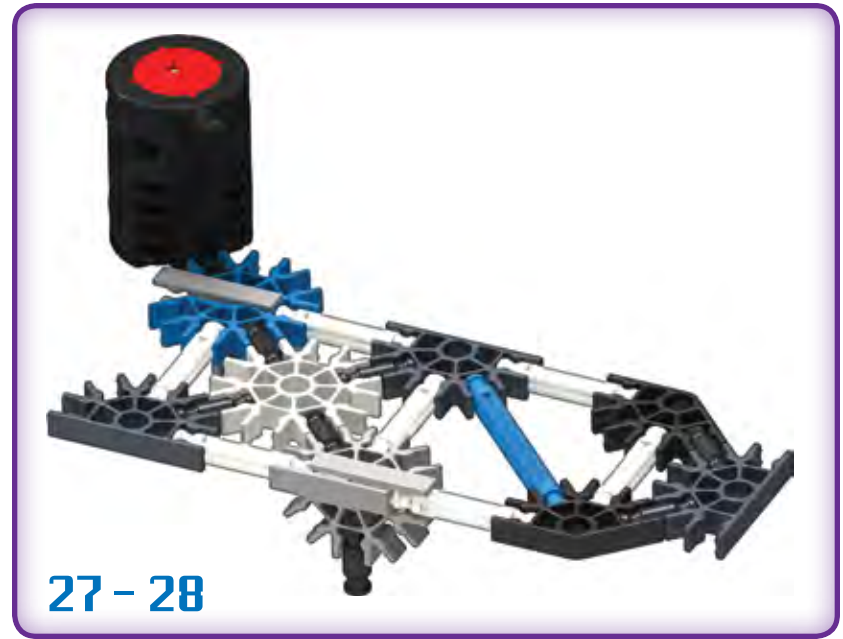
x2

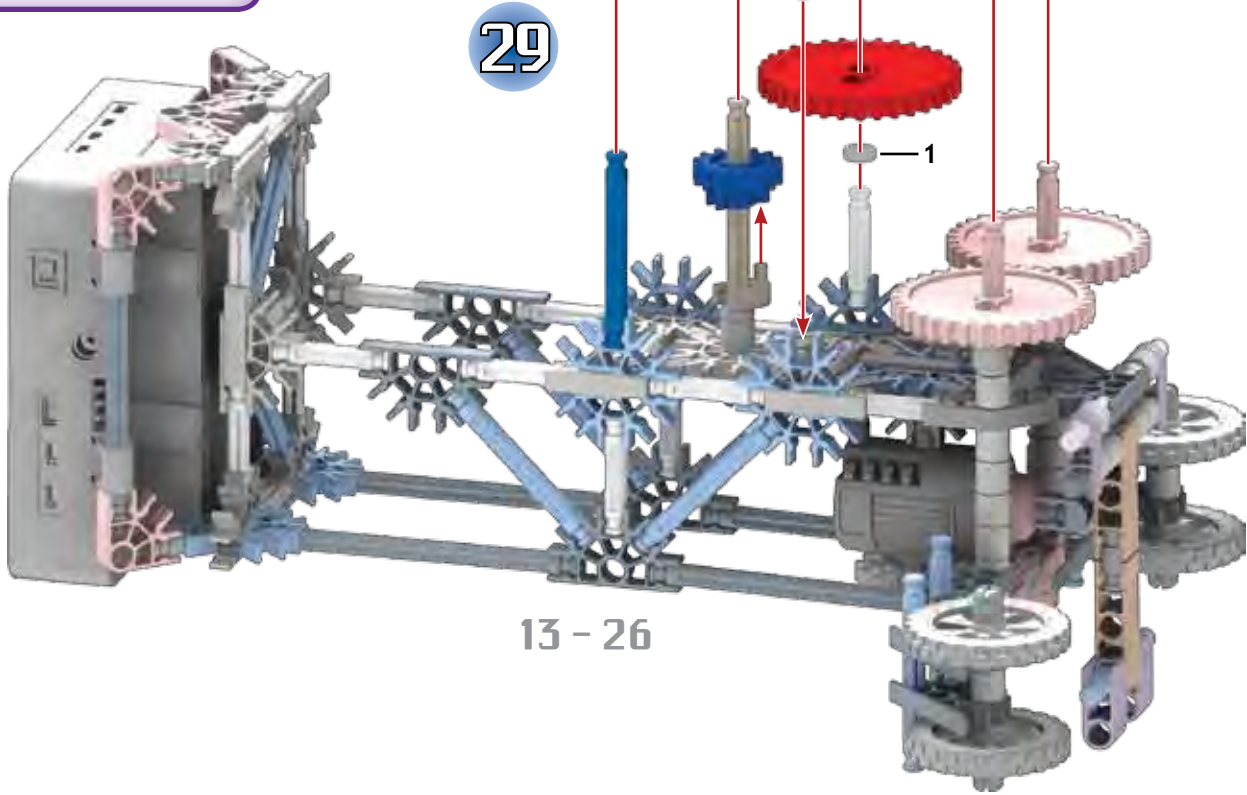
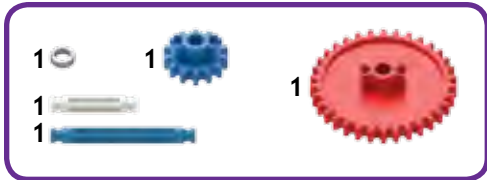
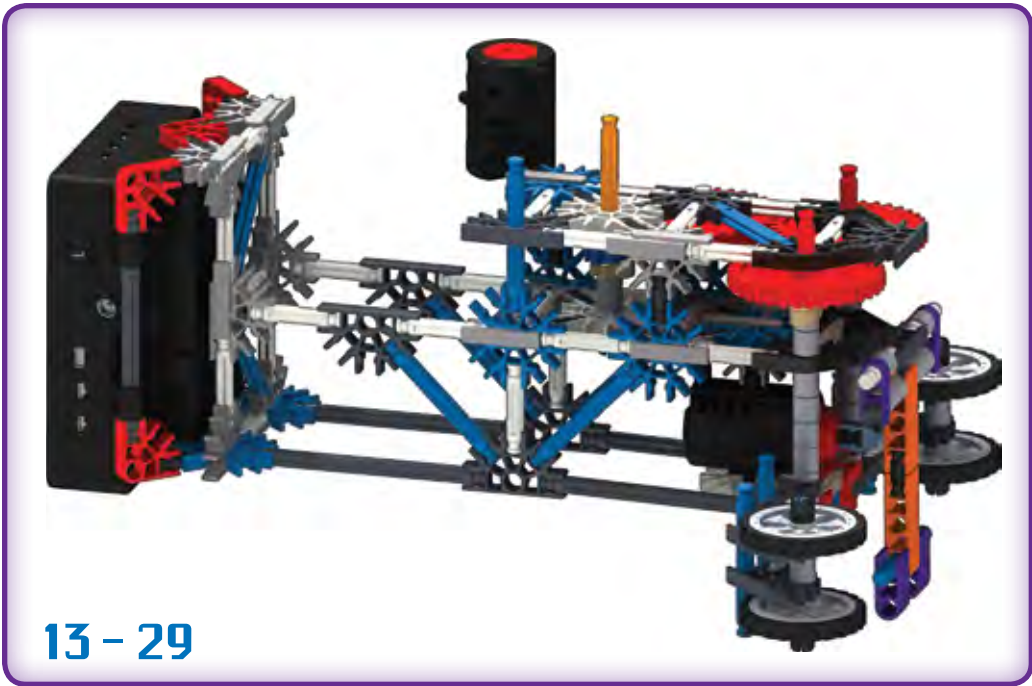


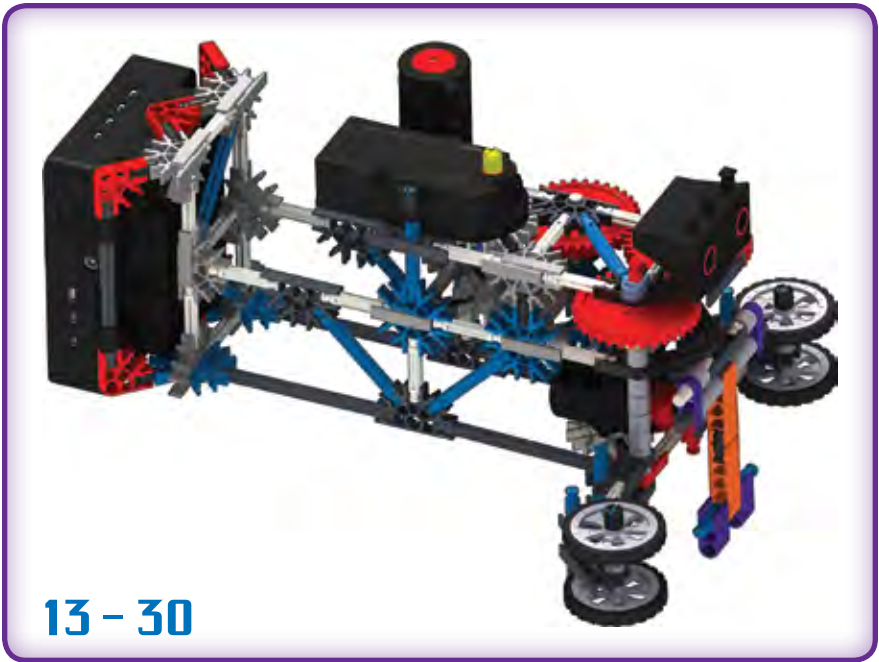
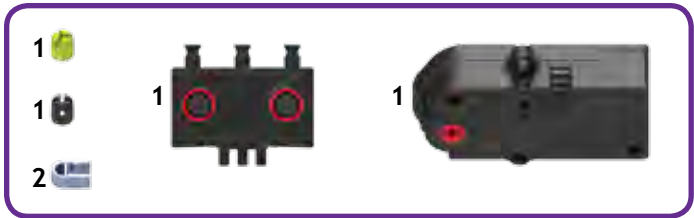
x2



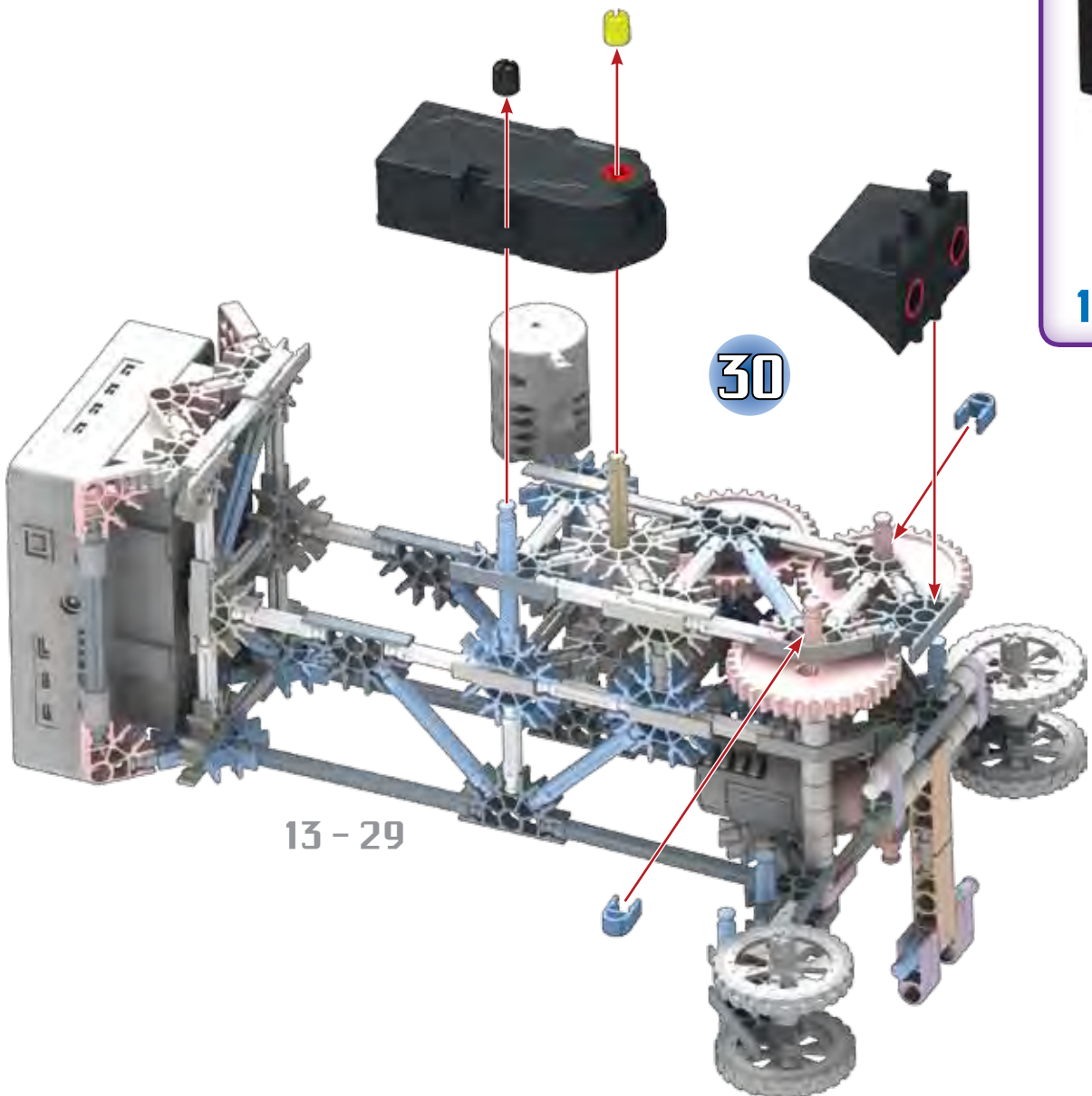






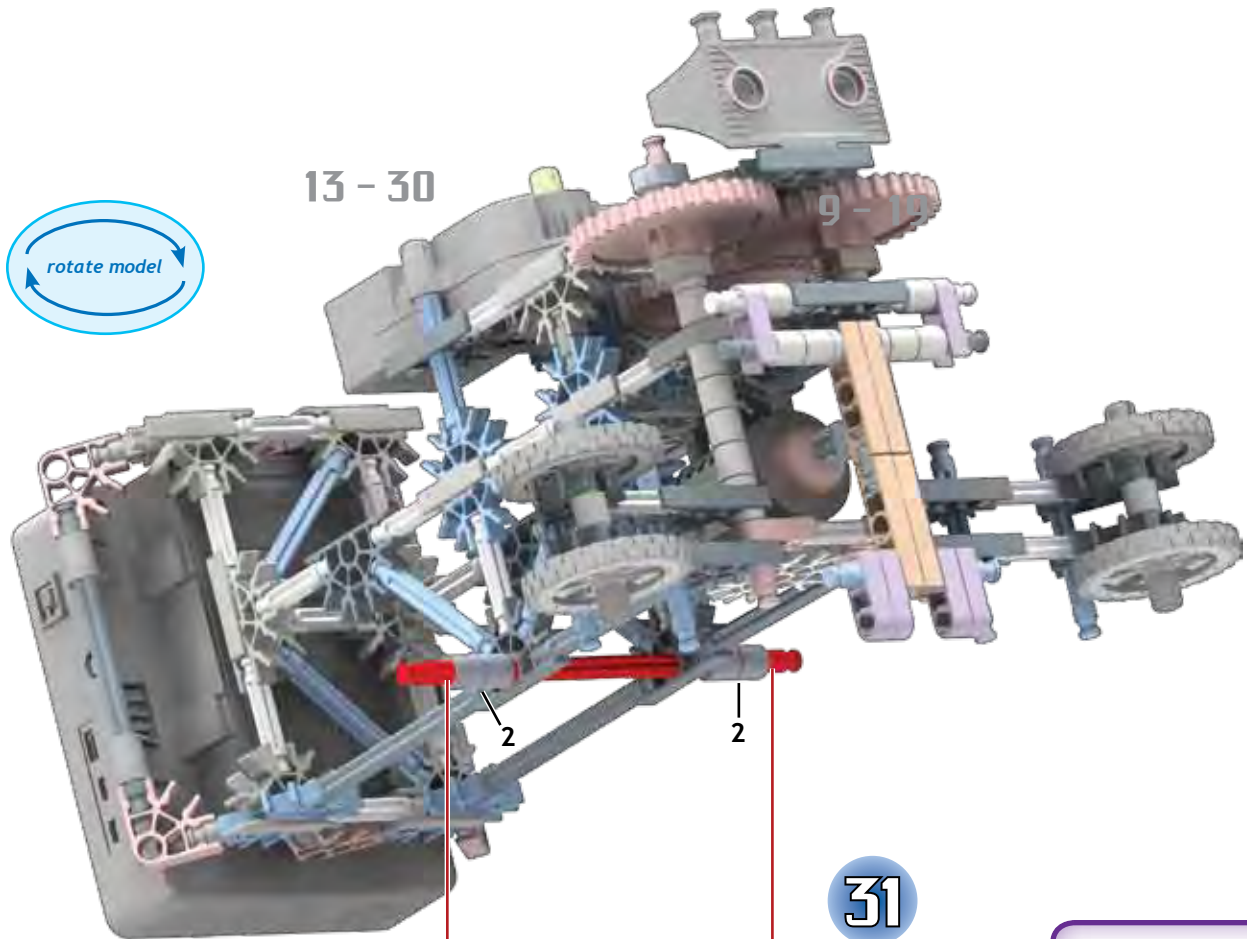
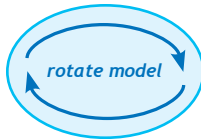


Top View

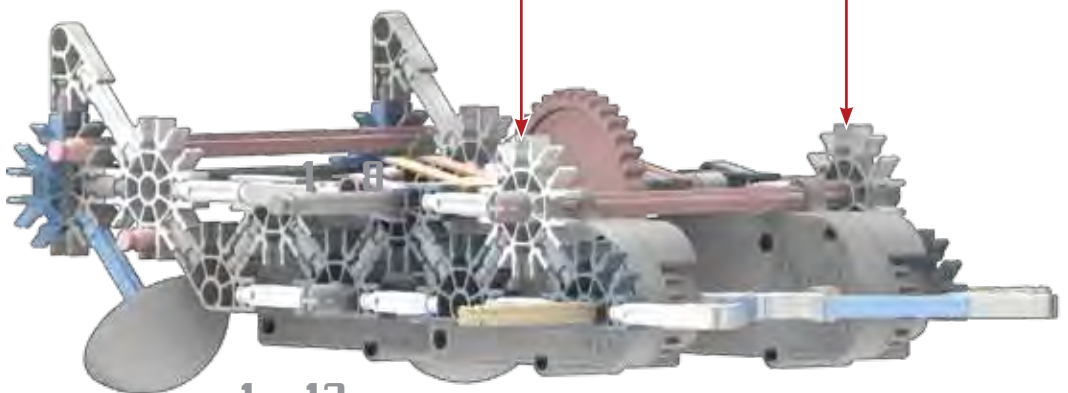


13 - 30

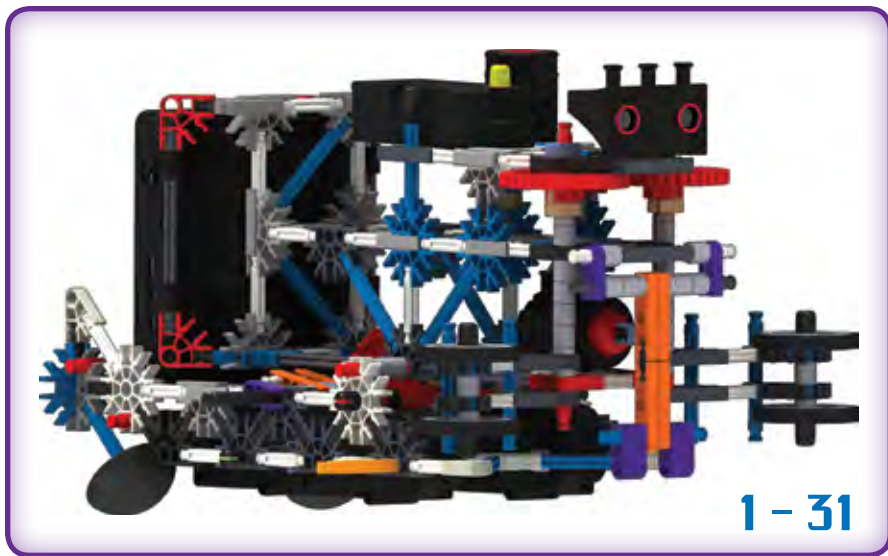
9 - 14



31

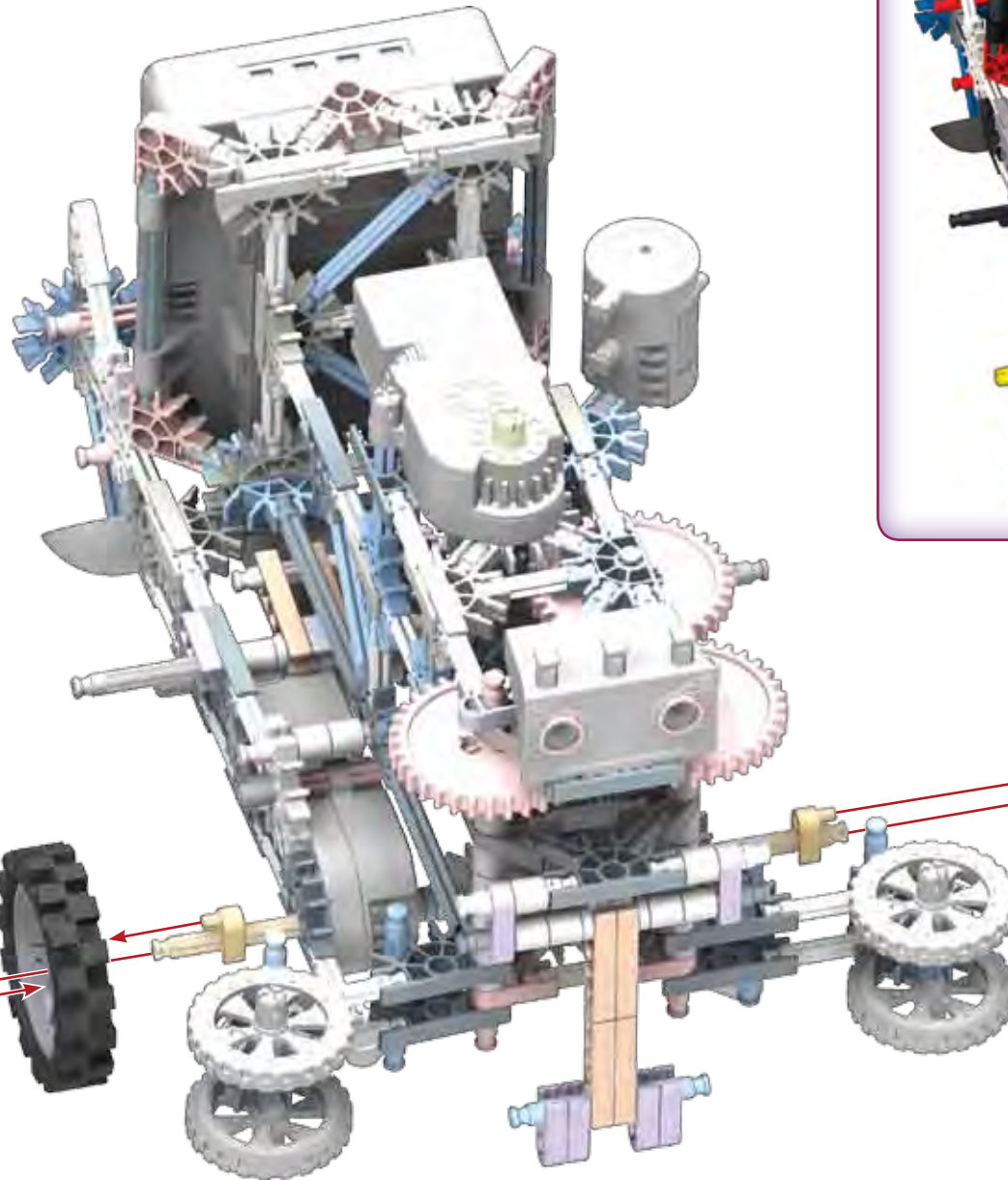


1 - 12



1 - 31

1 - 31

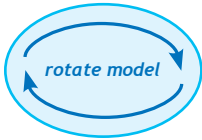


32

33

Connect Motor to
Motor Output C

34



The plugs on the connection cables are directional and can only be inserted one way.
FORCING plugs into connections the wrong way will damage the plug and component, voiding any warranties!



1 - 33

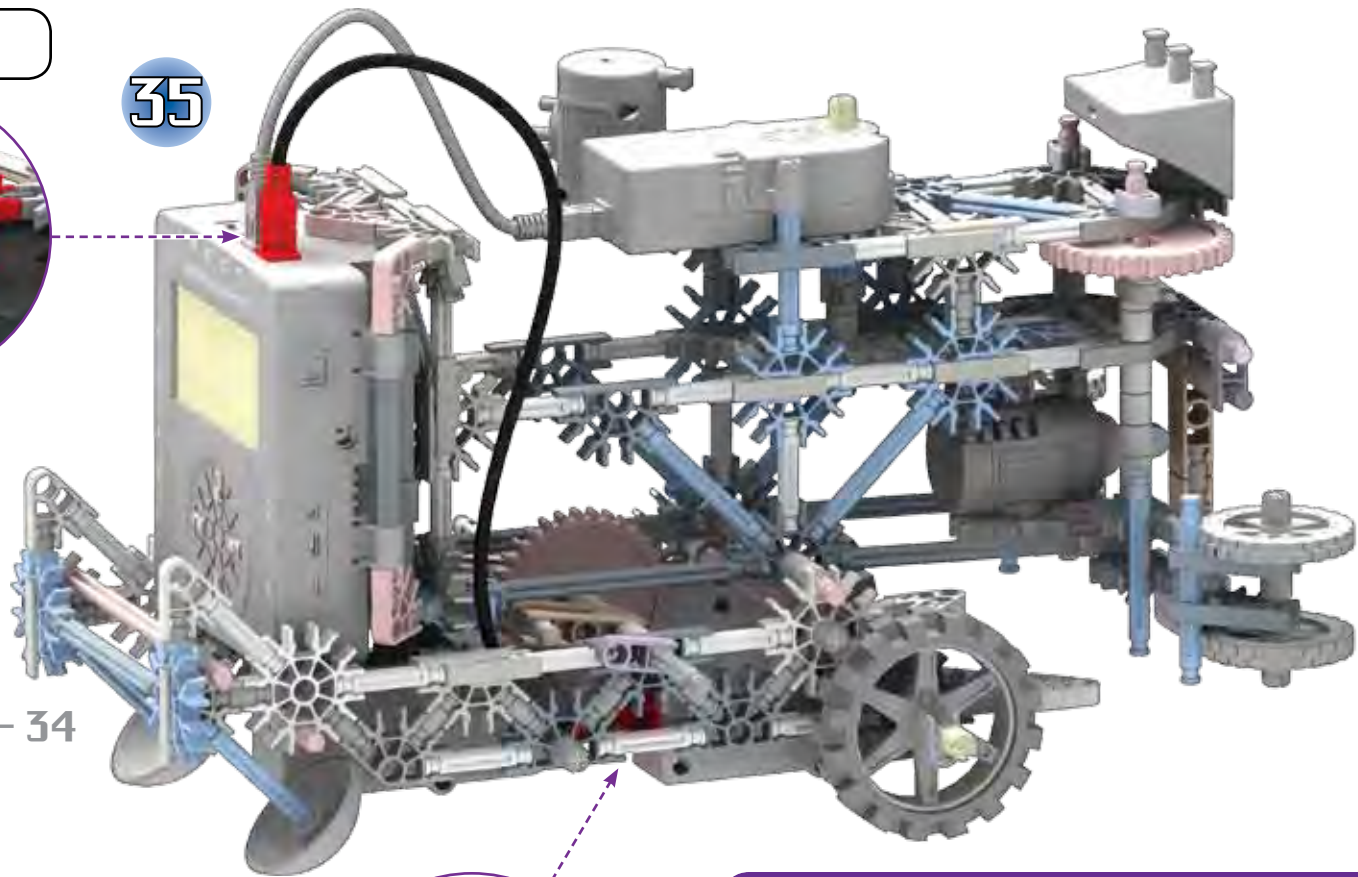


Connect Motor to Motor Output D

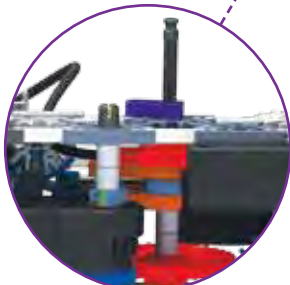


35

1 - 34



TIP: Insert plug into the motor first from underneath model.



Bottom View



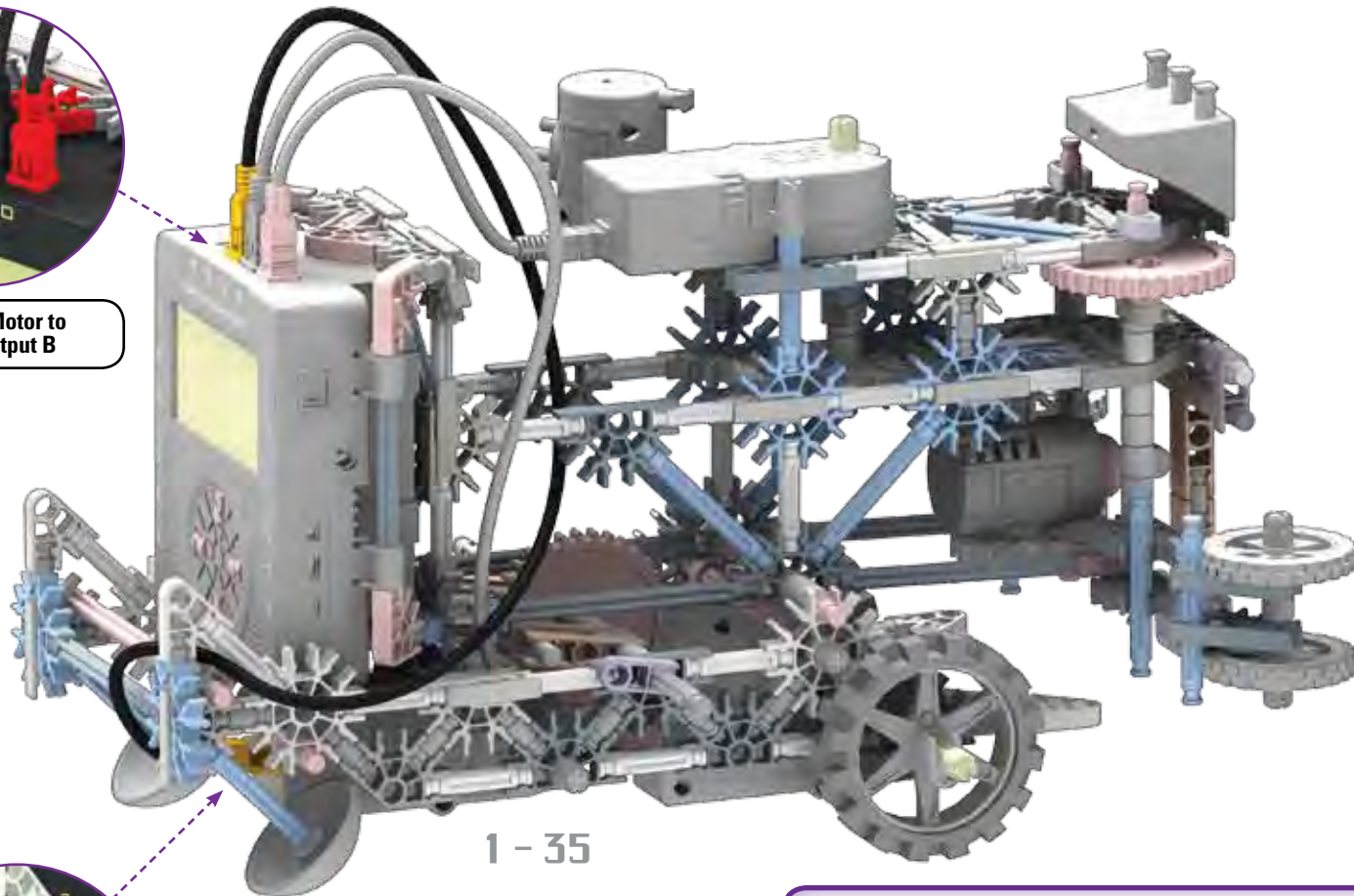
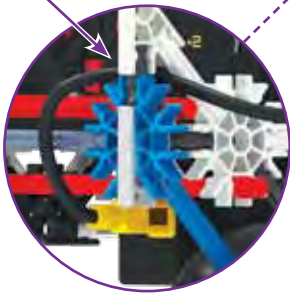
1 - 35



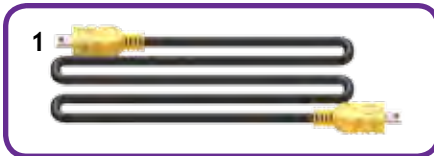
Connect Motor to Motor Output B

36

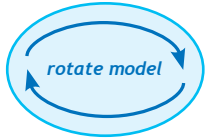
Cable goes through here.



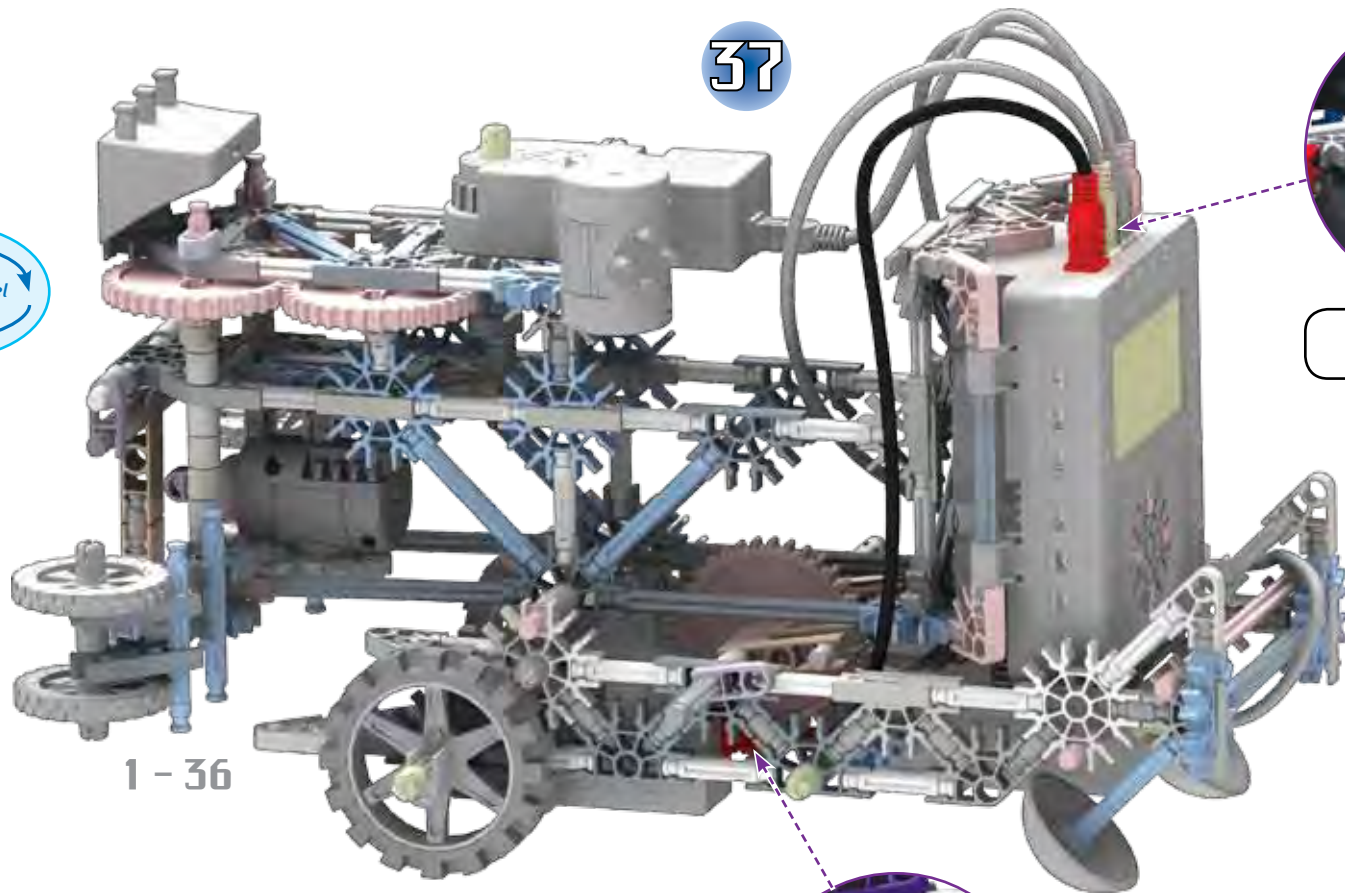
1 - 35



1 - 36



37



Connect Motor to Motor Output A



1 - 36



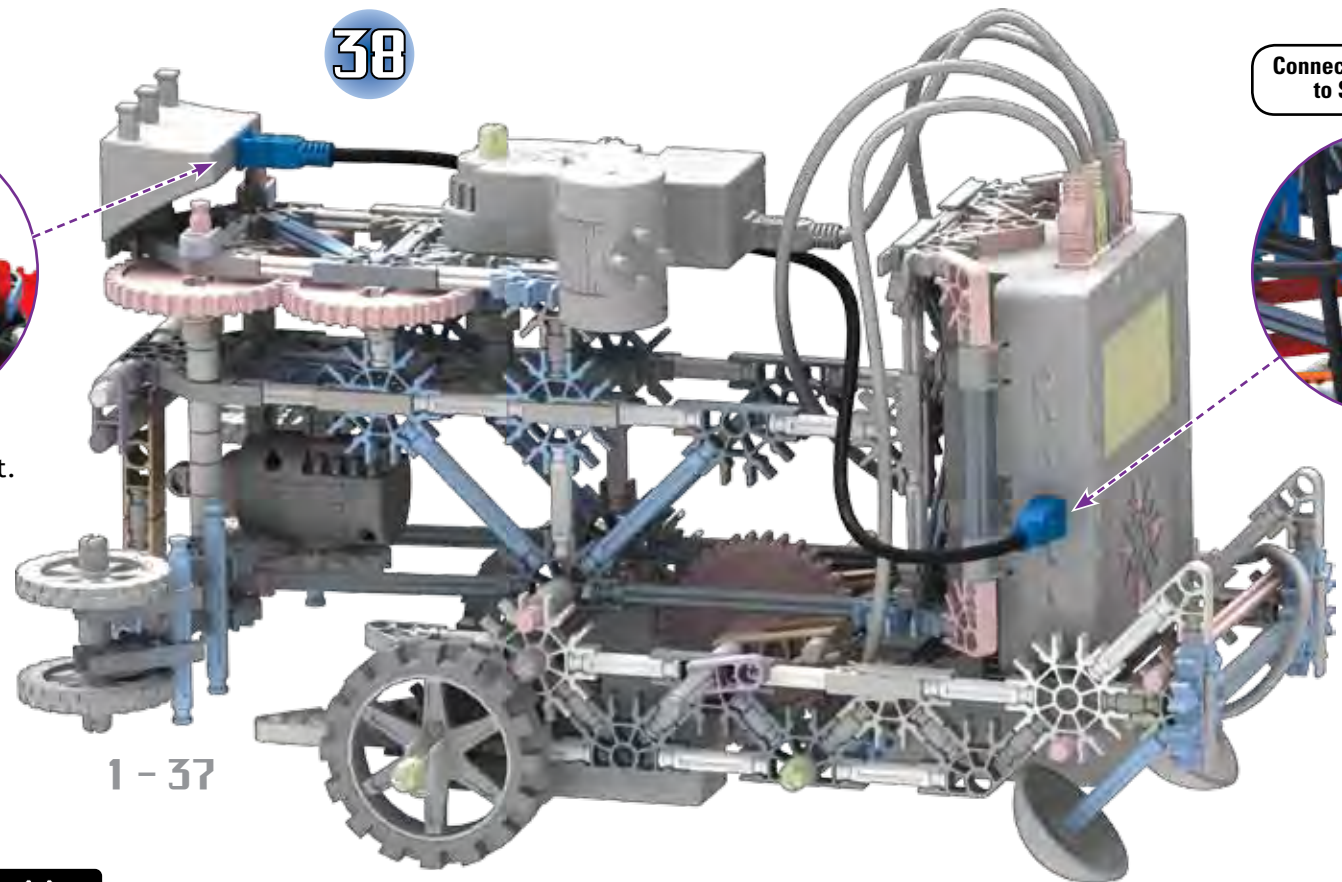
1 - 37

38

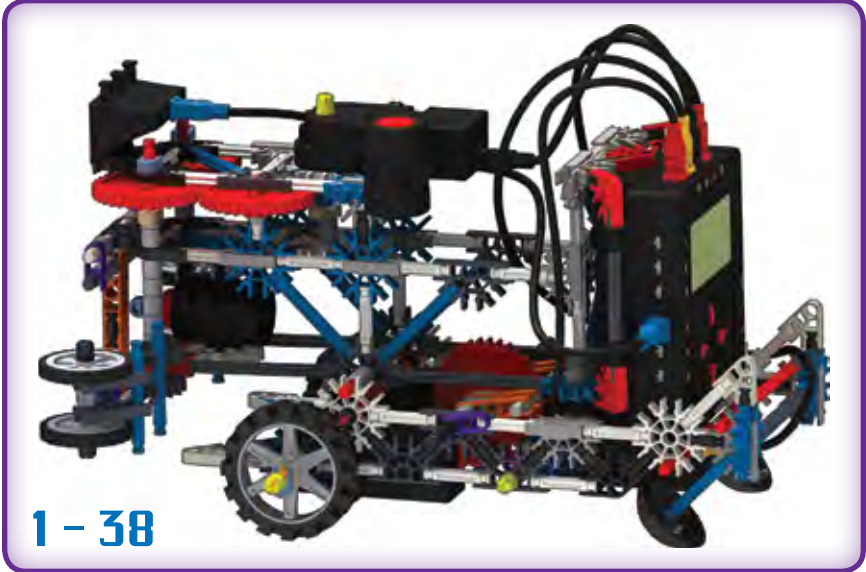


TIP: Insert plug into the sensor first.

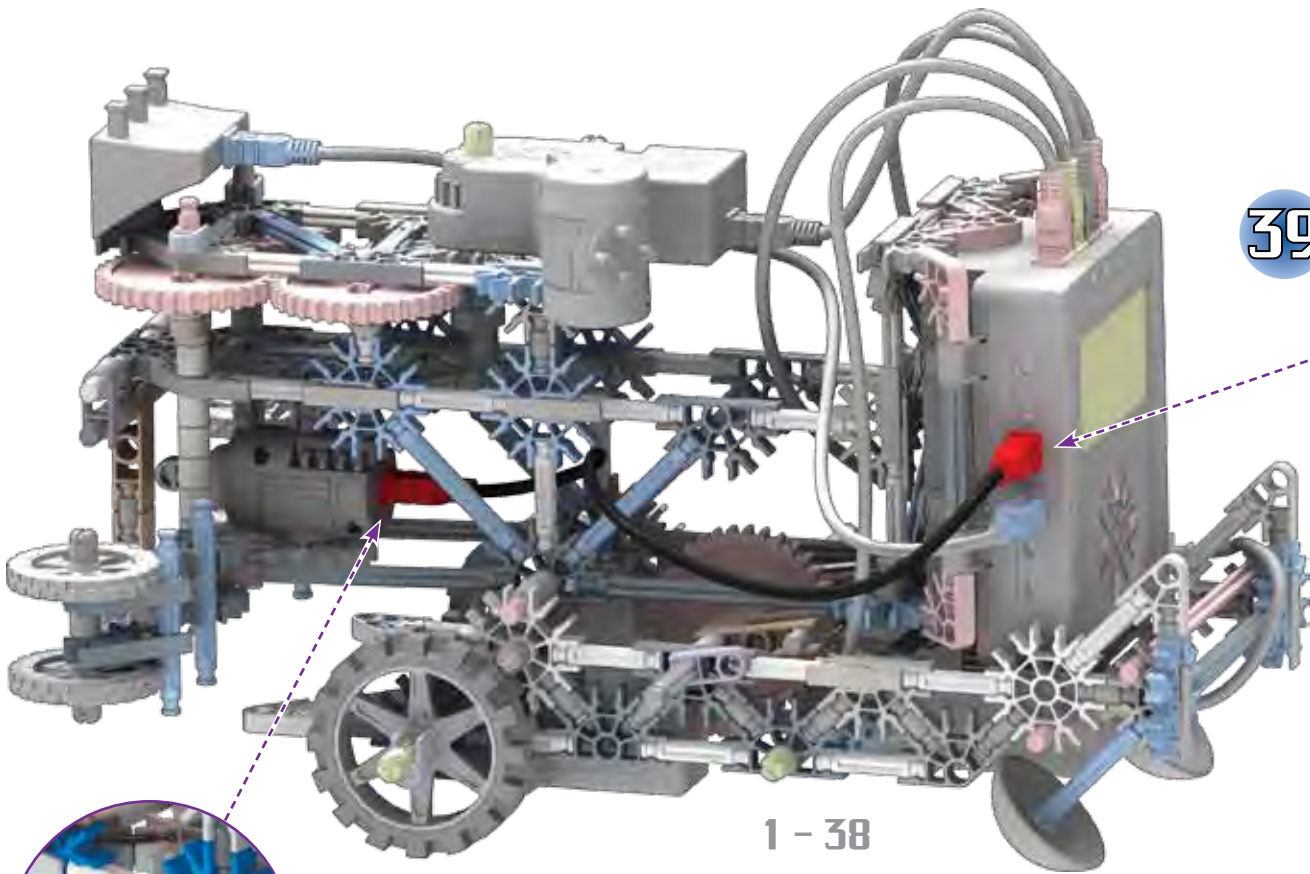
Connect Distance Sensor to Sensor Input 4



1 - 37



1 - 38



39

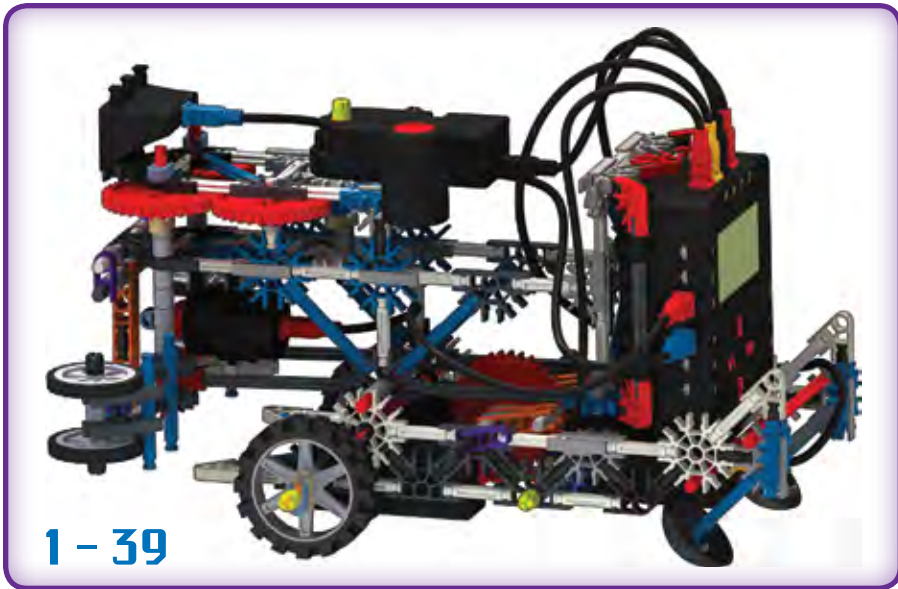
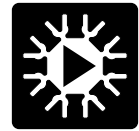


Connect Push Button Sensor to Sensor Input 3



TIP: Insert plug into the sensor first.

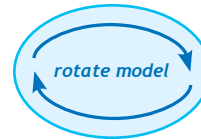
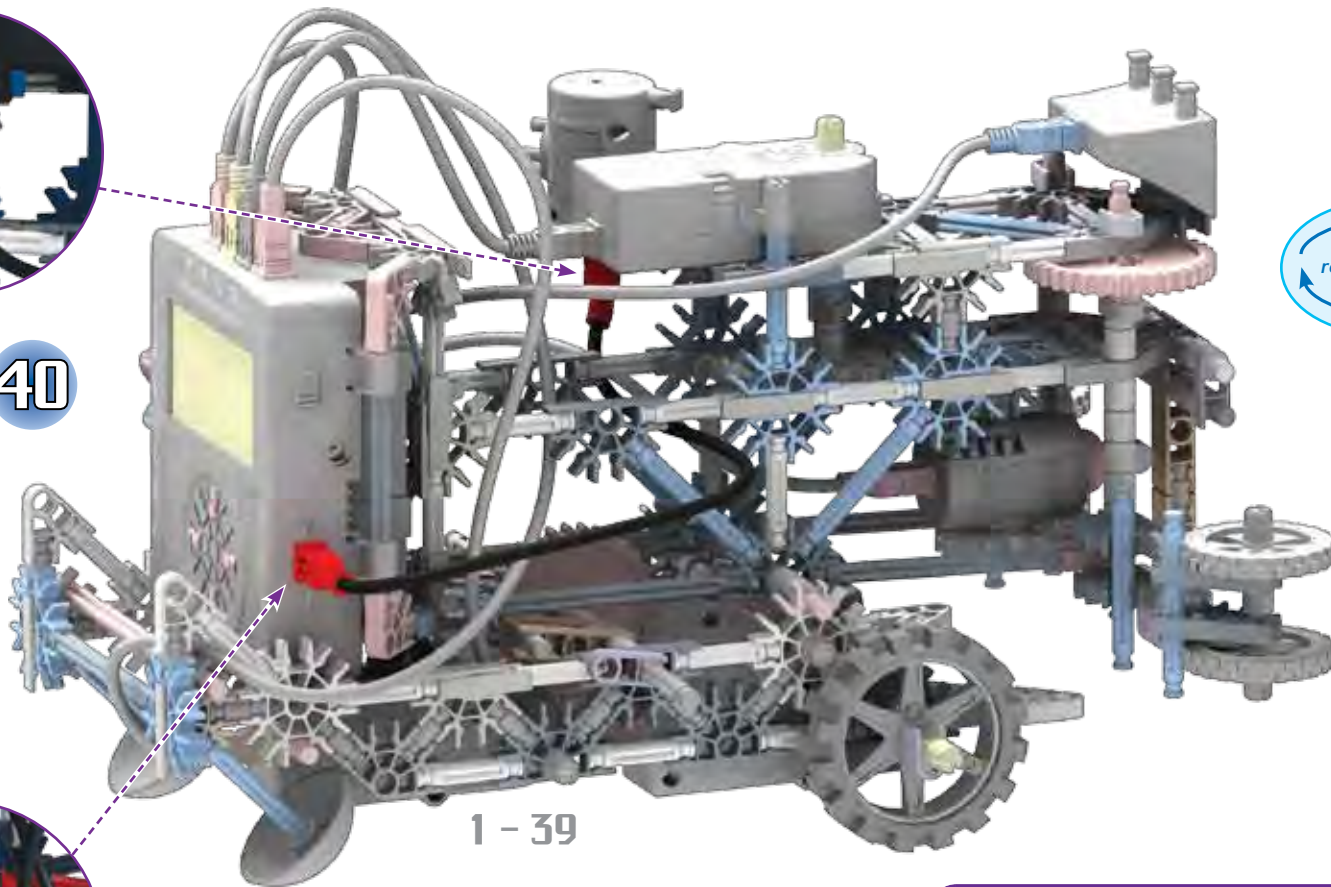
1 - 38



1 - 39



40



1 - 39

Search and Rescue Robot with all plugs connected.

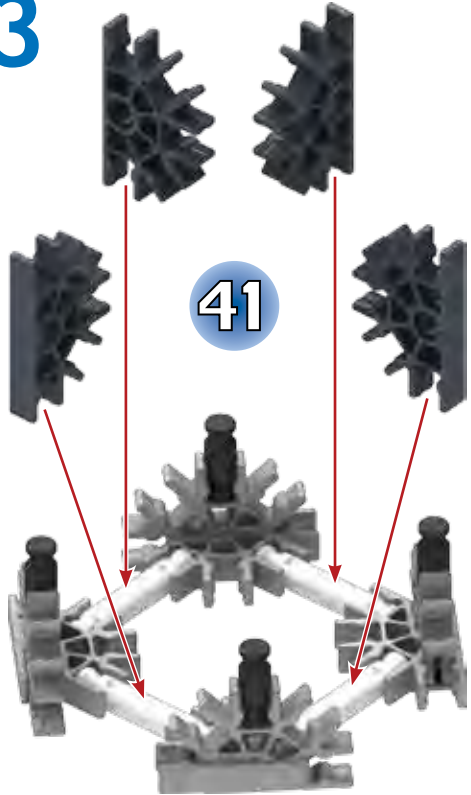


Connect LED to LED Output ▲1



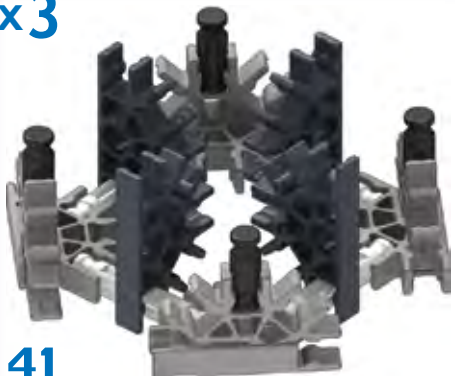
12 12 24

x3



41

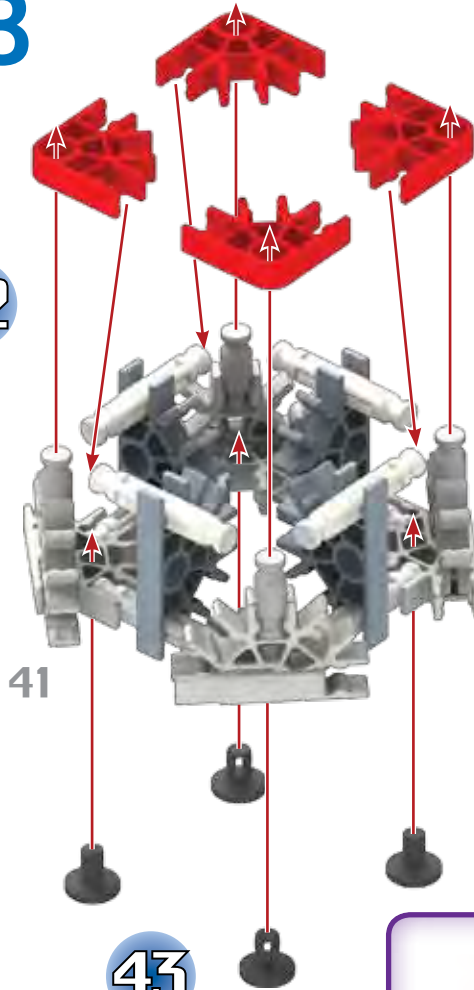
x3



41

x3

42



43

12 12

x3



41 - 43

SEARCH AND RESCUE ROBOT



1 - 43