

K'NEX and Imagine, Build, Play are registered trademarks of K'NEX Limited Partnership Group. K'NEX et Imagine, Build, Play sont des marques déposées de K'NEX Limited Partnership Group. K'NEX y Imagine, Build, Play son marcas registradas de K'NEX Limited Partnership Group.

Manufactured under U.S. Patents/Fabriqué sous brevets américains/Fabricado bajo patentes de EE.UU. 5,199,919; 5,350,331; 5,061,219; 5,137,486; D393,417; D392,555; D391,843; D550,784; D550,785; D553,203; D553,204; 7,267,598.

Other U.S. and foreign patents pending. Autres brevets américains et étrangers en instance. Otras patentes de EE.UU. y países extranjeros pendientes. Community design no./Le dessin ou modèle communautaire/Número de diseño de comunidad 000 645338-001-0002. Conforms to ASTM F963-07. Conforme aux ASTM F963-07. Cumple con F963-07 de la ASTM.

- ☉ Identifies Genuine K'NEX Bricks.
- ☉ Identifie que ce sont d'authentiques briques K'NEX.
- ☉ Identifica los ladrillos genuinos de K'NEX.
- ☉ Identifiziert echte K'NEX-Bausteine.
- ☉ Edentifica i veri blocchi K'NEX.
- ☉ Identifica que são cubos genuinos da K'NEX.
- ☉ Identificeert K'NEX bakstenen voor.
- ☉ Anger äkta K'NEX klossar.
- ☉ Identificerer ægte K'NEX brikker.
- ☉ Identifiserer ekte K'NEX-murstein.
- ☉ Osoittaa altoja K'NEX paloja.



©2009 K'NEX Limited Partnership Group
P.O. Box 700
Hatfield, PA 19440-0700



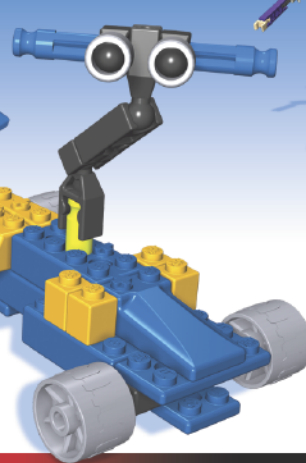
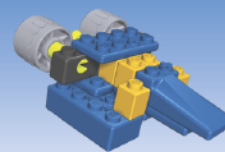
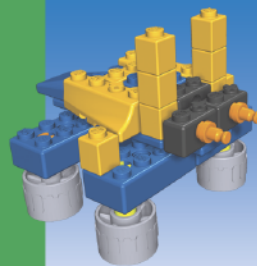
409434.11-V1-02/09

K'NEX

Imagine • Build • Play®

5+

ROBOTS™ MULTI-MODEL BUILDING SET



⚠ WARNING:

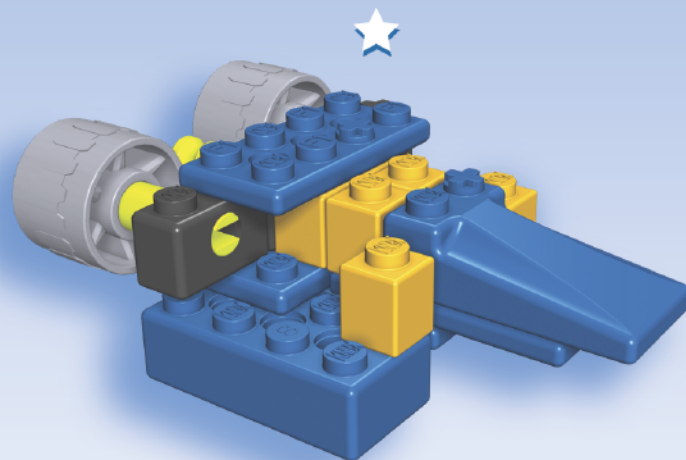
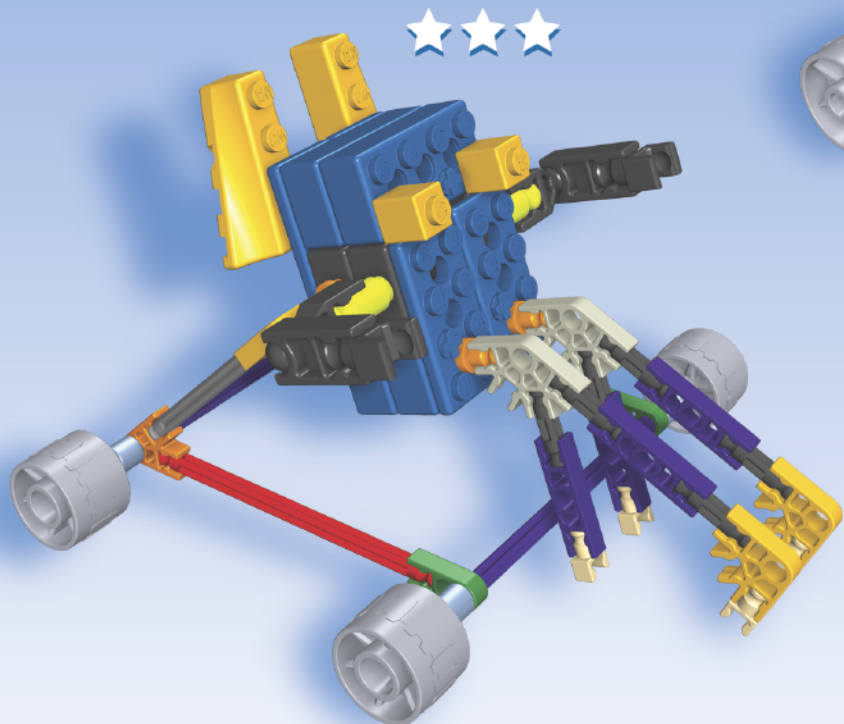
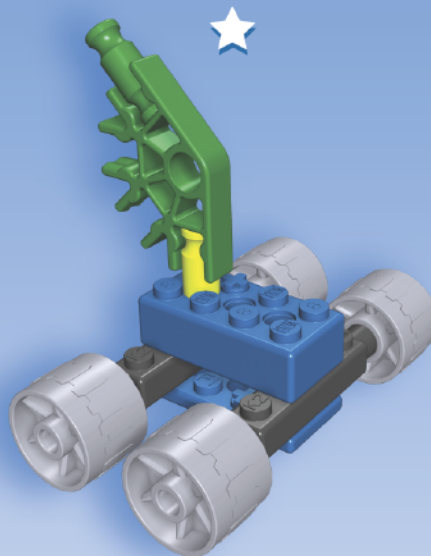
CHOKING HAZARD - Small parts.
Not for children under 3 years.

⚠ AVERTISSEMENT:

DANGER D'ÉTOUFFEMENT - Pièces de petite taille.
Ne pas donner aux enfants de moins de 3 ans.

11634

For instructions
of these models go to
www.knex.com/instructions
and enter code **11634**

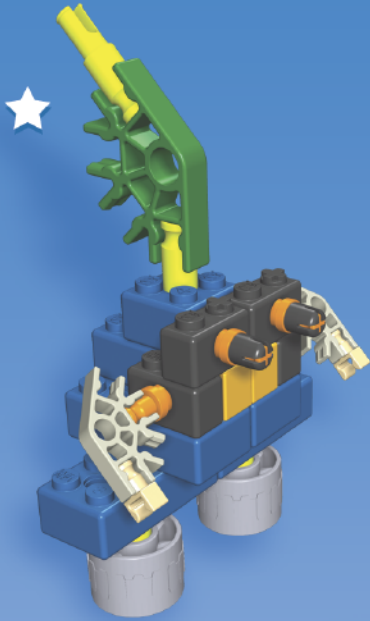


WORKS WITH ALL LEADING BUILDING BRICKS™

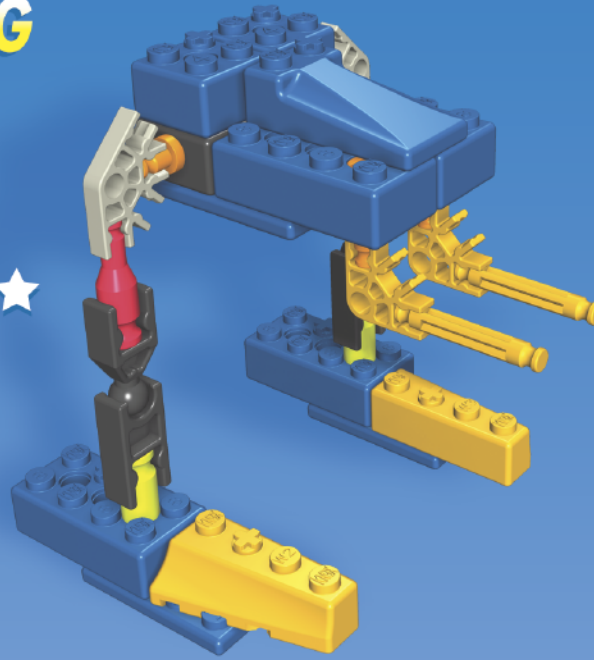
Questions? Call 1-800-KID-KNEX (USA/Canada only) or 00800-22427276 (UK/Ireland only)

Write to email@knex.com or visit www.knex.com

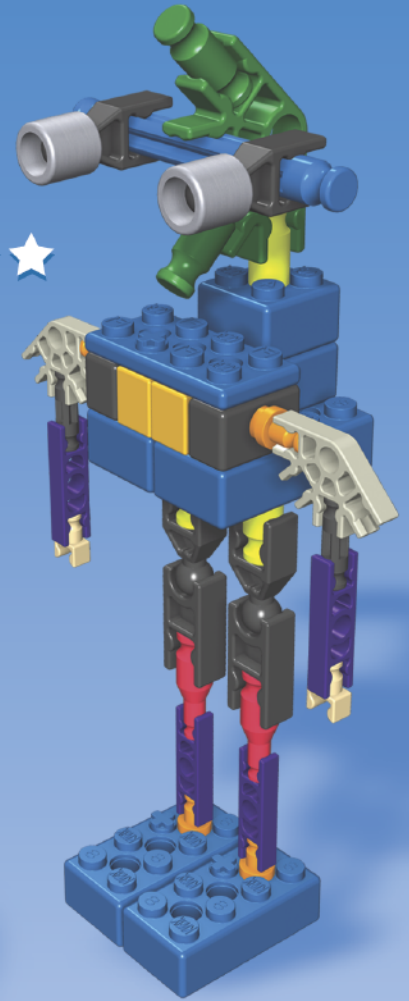
For Customer Service outside the USA, CAN, GBR please contact local distributor. Distributor information can be found at: <http://www.knex.com/distributors>
Le Service clients hors d'USA et CAN, s'il vous plaît contacter le distributeur local. L'information de distributeur peut être trouvée à <http://www.knex.com/distributors>



★★★★

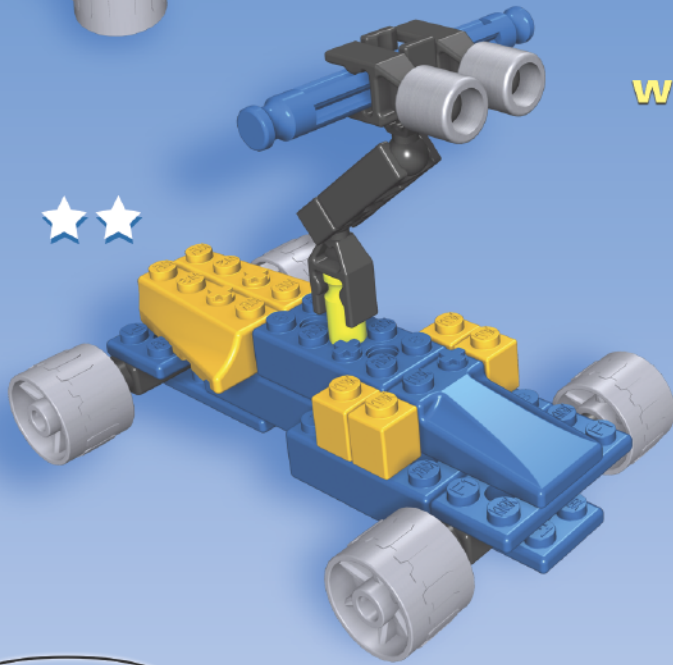


★★

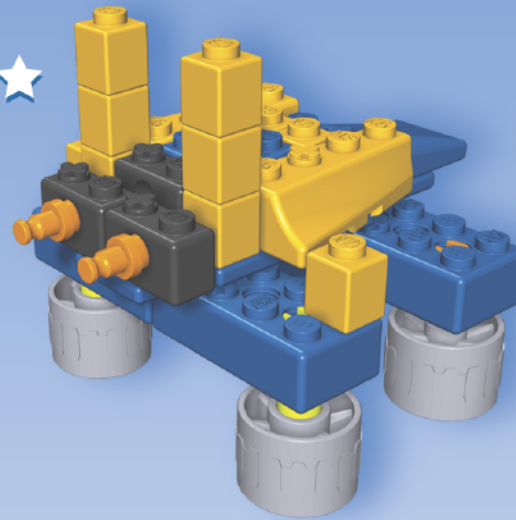


For instructions of these models go to www.knex.com/instructions and enter code **11634**

★★



★



Visit www.knex.com/multi-model-sets and click on combo builds for instructions.

Sold separately.
Vendus séparément.
Se venden por separado.
Separat erhältlich.
Venduti separatamente.
Vendidos separadamente.
Afzonderlijk verkocht.
Säljes separat.
Sælges separat.
Selges separat.
Myydään erikseen.

+



OR
OU

